

PRELIMINARY

**NEC** NEC LCD Technologies, Ltd.

# TFT COLOR LCD MODULE

**NL12876BC15-01**

**22.6cm (8.9 Type)**

**WXGA**

**LVDS interface (1port)**

## PRELIMINARY DATA SHEET

DOD-PP-0414 (1st edition)



**All information is subject to change without notice.  
Please confirm the sales representative before  
starting to design your system.**

## INTRODUCTION

The Copyright to this document belongs to NEC LCD Technologies, Ltd. (hereinafter called "NEC"). No part of this document will be used, reproduced or copied without prior written consent of NEC.

NEC does and will not assume any liability for infringement of patents, copyrights or other intellectual property rights of any third party arising out of or in connection with application of the products described herein except for that directly attributable to mechanisms and workmanship thereof. No license, express or implied, is granted under any patent, copyright or other intellectual property right of NEC.

Some electronic parts/components would fail or malfunction at a certain rate. In spite of every effort to enhance reliability of products by NEC, the possibility of failures and malfunction might not be avoided entirely. To prevent the risks of damage to death, human bodily injury or other property arising out thereof or in connection therewith, each customer is required to take sufficient measures in its safety designs and plans including, but not limited to, redundant system, fire-containment and anti-failure.

The products are classified into three quality grades: "**Standard**", "**Special**", and "**Specific**" of the highest grade of a quality assurance program at the choice of a customer. Each quality grade is designed for applications described below. Any customer who intends to use a product for application other than that of Standard quality grade is required to contact an NEC sales representative in advance.

The **Standard** quality grade applies to the products developed, designed and manufactured in accordance with the NEC standard quality assurance program, which are designed for such application as any failure or malfunction of the products (sets) or parts/components incorporated therein a customer uses are, directly or indirectly, free of any damage to death, human bodily injury or other property, like general electronic devices.

Examples: Computers, office automation equipment, communications equipment, test and measurement equipment, audio and visual equipment, home electronic appliances, machine tools, personal electronic equipment, industrial robots, etc.

The **Special** quality grade applies to the products developed, designed and manufactured in accordance with an NEC quality assurance program stricter than the standard one, which are designed for such application as any failure or malfunction of the products (sets) or parts/components incorporated therein a customer uses might directly cause any damage to death, human bodily injury or other property, or such application under more severe condition than that defined in the Standard quality grade without such direct damage.

Examples: Control systems for transportation equipment (automobiles, trains, ships, etc.), traffic control systems, anti-disaster systems, anti-crime systems, medical equipment not specifically designed for life support, safety equipment, etc.

The **Specific** quality grade applies to the products developed, designed and manufactured in accordance with the standards or quality assurance program designated by a customer who requires an extremely higher level of reliability and quality for such products.

Examples: Military systems, aircraft control equipment, aerospace equipment, nuclear reactor control systems, medical equipment/devices/systems for life support, etc.

The quality grade of this product is the "**Standard**" unless otherwise specified in this document.

## CONTENTS

<b>INTRODUCTION</b> .....	2
<b>CONTENTS</b> .....	3
<b>1. OUTLINE</b> .....	4
1.1 STRUCTURE AND PRINCIPLE .....	4
1.2 APPLICATION .....	4
1.3 FEATURES .....	4
<b>2. GENERAL SPECIFICATIONS</b> .....	5
<b>3. BLOCK DIAGRAM</b> .....	6
<b>4. DETAILED SPECIFICATIONS</b> .....	8
4.1 MECHANICAL SPECIFICATIONS .....	8
4.2 ABSOLUTE MAXIMUM RATINGS .....	8
4.3 ELECTRICAL CHARACTERISTICS .....	9
4.3.1 LCD panel signal processing board .....	9
4.3.2 Backlight .....	9
4.3.3 Touch panel .....	10
4.3.4 Power supply voltage ripple .....	10
4.3.5 Fuse .....	10
4.4 POWER SUPPLY VOLTAGE SEQUENCE .....	11
4.4.1 LCD panel signal processing board .....	11
4.4.2 LED lighting circuit .....	11
4.5 CONNECTIONS AND FUNCTIONS FOR INTERFACE PINS .....	12
4.5.1 LCD panel signal processing board .....	12
4.5.2 Positions of plug and socket .....	13
4.5.3 Connection between receiver and transmitter for LVDS .....	14
4.5.4 Input data mapping .....	15
4.6 DISPLAY COLORS AND INPUT DATA SIGNALS .....	16
4.7 DISPLAY POSITIONS .....	17
4.8 SCANNING DIRECTIONS .....	17
4.9 DDC FUNCTION .....	18
4.10 INPUT SIGNAL TIMINGS .....	22
4.10.1 Outline of input signal timings .....	22
4.10.2 Timing characteristics .....	23
4.10.3 Input signal timing chart .....	24
4.11 OPTICS .....	25
4.11.1 Optical characteristics .....	25
4.11.2 Definition of contrast ratio .....	26
4.11.3 Definition of luminance uniformity .....	26
4.11.4 Definition of response times .....	26
4.11.5 Definition of viewing angles .....	26
<b>5. RELIABILITY TESTS</b> .....	27
<b>6. PRECAUTIONS</b> .....	28
6.1 MEANING OF CAUTION SIGNS .....	28
6.2 CAUTIONS .....	28
6.3 ATTENTIONS .....	28
6.3.1 Handling of the product .....	28
6.3.2 Environment .....	29
6.3.3 Characteristics .....	29
6.3.4 Other .....	29
<b>7. OUTLINE DRAWINGS</b> .....	30
<b>8. RECOMMENDATION DESIGN OF CUSTOMER FRONT BEZEL</b> .....	31
<b>REVISION HISTORY</b> .....	32

## 1. OUTLINE

### 1.1 STRUCTURE AND PRINCIPLE

Color LCD module NL12876BC15-01 is composed of the amorphous silicon thin film transistor liquid crystal display (a-Si TFT LCD) panel structure with driver LSIs for driving the TFT (Thin Film Transistor) array, touch panel (T/P) and a backlight.

The a-Si TFT LCD panel structure is injected liquid crystal material into a narrow gap between the TFT array glass substrate and a color-filter glass substrate.

Color (Red, Green, Blue) data signals from a host system (e.g. signal generator, etc.) are modulated into best form for active matrix system by a signal processing board, and sent to the driver LSIs which drive the individual TFT arrays.

The TFT array as an electro-optical switch regulates the amount of transmitted light from the backlight assembly, when it is controlled by data signals. Color images are created by regulating the amount of transmitted light through the TFT array of red, green and blue dots.

### 1.2 APPLICATION

- For Notebook PC

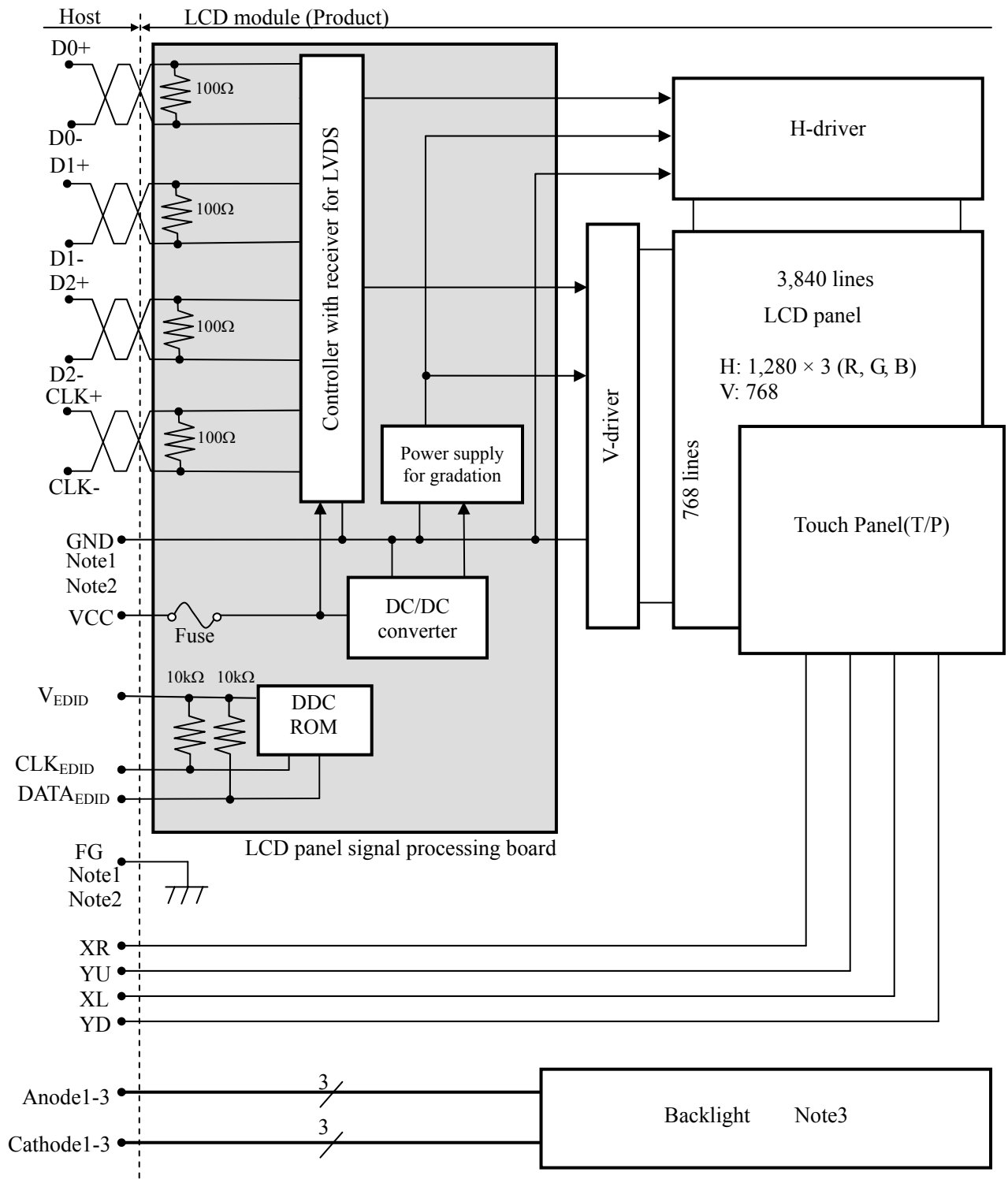
### 1.3 FEATURES

- LVDS interface
- LED backlight type
- Touch Panel (T/P) attached

## 2. GENERAL SPECIFICATIONS

<b>Display area</b>	193.92 (H) × 116.35 (V)mm
<b>Diagonal size of display</b>	22.6cm (8.9 inches)
<b>Drive system</b>	a-Si TFT active matrix
<b>Display color</b>	262,144 colors
<b>Pixel</b>	1,280(H) × 768 (V) pixels
<b>Pixel arrangement</b>	RGB (Red dot, Green dot, Blue dot) vertical stripe
<b>Dot pitch</b>	0.0505 (H) × 0.1515 (V) mm
<b>Pixel pitch</b>	0.1515(H) × 0.1515 (V) mm
<b>Module size</b>	209.2 mm (W) (typ.) × 130.3 mm (H) (typ.) × 7.2 (D) mm (typ.)
<b>Weight</b>	(265) g (typ.)
<b>Contrast ratio</b>	500:1 (typ.)
<b>Viewing angle</b>	At the contrast ratio $\geq 10:1$ <ul style="list-style-type: none"> <li>• Horizontal: Right side 45° (typ.), Left side 45° (typ.)</li> <li>• Vertical: Up side 20° (typ.), Down side 40° (typ.)</li> </ul>
<b>Designed viewing direction</b>	<ul style="list-style-type: none"> <li>• Viewing angle without image reversal: Up side (12 o'clock)</li> <li>• Viewing angle with contrast peak: Down side (6 o'clock)</li> <li>• Viewing angle with optimum grayscale (<math>\gamma=2.2</math>): normal axis (perpendicular)</li> </ul>
<b>Touch Panel surface</b>	Clear
<b>Touch panel pencil-hardness</b>	3H (min.) [by JIS K5400]
<b>Color gamut</b>	At LCD panel center 50% (typ.) [against NTSC color space]
<b>Response time</b>	$T_{on} + T_{off}$ (10% ← → 90%) 8ms (typ.)
<b>Luminance</b>	At $IL=20$ mArms 280cd/m <sup>2</sup> (typ.)
<b>Signal system</b>	LVDS 1port (Receiver: THC63LVDF64B, THine Electronics Inc. or equivalent) [6bit digital signals for data of RGB colors, Dot clock (CLK), Data enable (DE), Selection of LVDS input map (MSL)]
<b>Power supply voltage</b>	LCD panel signal processing board: 3.3V
<b>Backlight</b>	LED backlight type
<b>Power consumption</b>	At $IL=20$ mA, Checkered flag pattern (3.8) W (typ.)

### 3. BLOCK DIAGRAM



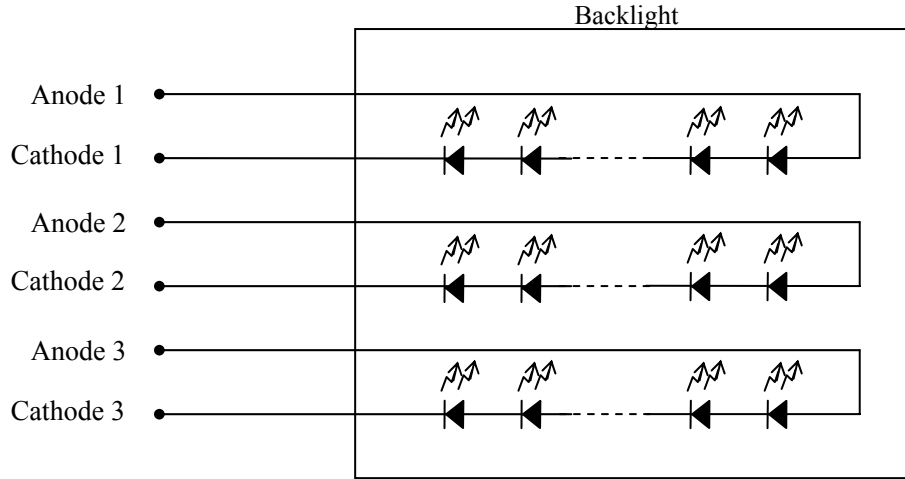
Note1: Relations between GND (Signal ground), FG (Frame ground) and VBLC (Lamp low voltage terminal) in the LCD module are as follows.

GND - FG	Not connected
----------	---------------

Note2: GND and FG must be connected to customer equipment's ground, and it is recommended that these grounds are connected together in customer equipment.

# PRELIMINARY

Note3: Backlight in detail



※ Number of LED : 33 pcs (11 pcs × 3 in parallel)

# PRELIMINARY

## 4. DETAILED SPECIFICATIONS

### 4.1 MECHANICAL SPECIFICATIONS

Parameter	Specification	Unit
Module size	209.2 ± 0.3 (W) × 130.3 ± 0.3 (H) × 7.2±0.5 (D) Note1	mm
Display area	193.92 (H) × 116.35 (V) Note1	mm
Weight	(265) (typ.), TBD (max.)	g

Note1: See "7. OUTLINE DRAWINGS".

### 4.2 ABSOLUTE MAXIMUM RATINGS

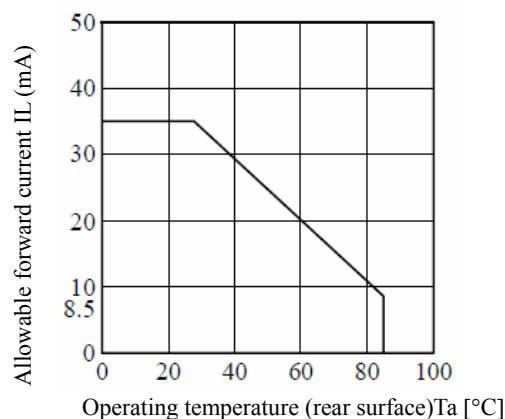
Parameter		Symbol	Rating	Unit	Remarks
Power supply voltage	LCD panel signal processing board	VCC	-0.3 to +4.0	V	-
	DDC(EDID) ROM	V <sub>EDID</sub>	-0.3 to +4.0	V	
Input voltage for signals	Display signals Note1	VD	-0.3 to +3.6 and < VCC+0.3	V	-
	Function signal Note2	VF	-0.3 to +3.6 and < V <sub>EDID</sub> +0.3	V	-
Input voltage for Backlight	Power dissipation	PD	1.358	W	per one circuit
	Forward current	IL	Note3	mA	
Touch Panel input voltage		V <sub>tp</sub>	7	V	-
Storage temperature		T <sub>st</sub>	(-30 to +70)	°C	-
Operating temperature	Front surface	TopF	(-20 to +60)	°C	Note4
	Rear surface	TopR	(-20 to +60)	°C	Note5
Relative humidity Note6	RH	≤ 95	%	T <sub>a</sub> ≤ 40°C	
		≤ 85	%	40 < T <sub>a</sub> ≤ 50°C	
		≤ 55	%	50°C < T <sub>a</sub> ≤ 60°C	
Absolute humidity Note6	AH	≤ 72 Note7	g/m <sup>3</sup>	T <sub>a</sub> > 60°C	

Note1: Display signals are D0+/-, D1+/-, D2+/- and CLK+/-.

Note2: Function signals are CLK<sub>EDID</sub> and DATA<sub>EDID</sub>,



Note3: Forward current



Note4: Measured at center of LCD panel surface (including self-heat)

Note5: Measured at center of LCD module's rear shield surface (including self-heat)

Note6: No condensation

Note7: Water amount at Ta = 60°C and RH = 55%

### 4.3 ELECTRICAL CHARACTERISTICS

#### 4.3.1 LCD panel signal processing board

(Ta = 25°C)

Parameter	Symbol	min.	typ.	max.	Unit	Remarks	
Power supply voltage	VCC	3.0	3.3	3.6	V	-	
Power supply current	ICC	-	(500) Note1	TBD Note2	mA	at VCC = 3.3V	
Permissible ripple voltage	VRP	-	-	100	mVp-p	for VCC	
Differential input threshold voltage for LVDS receiver	High	VTH	-	-	+100	mV	at VCM=1.2V Note3
	Low	VTL	-100	-	-	mV	
Terminating resistance	RT	-	100	-	Ω	-	
Power supply voltage for DDC	V <sub>EDID</sub>	3.0	-	3.6	V	-	
Input voltage for DDC signal	High	VFIL	0.7VCC	-	-	V	-
	Low	VFIL	-	-	0.3VCC	V	

Note1: Checkered flag pattern [by EIAJ ED-2522]

Note2: Pattern for maximum current

Note3: Common mode voltage for LVDS receiver

#### 4.3.2 Backlight

Parameter	Symbol	min.	typ.	max.	Unit	Remarks
Forward current	IL	-	20	22	mArms	note3
Forward voltage	VL	-	35.2	38.5	Vrms	at IL=20mArms

Note1: Please drive with constant current .

Note2: The Luminance uniformity may be changed depending on the current variation between 3 circuits.  
It is recommended that the current value difference between each circuit is less than 5%.

# PRELIMINARY

### 4.3.3 Touch panel

(Ta= 25°C)

Parameter	Symbol	min.	typ.	max.	Unit	Remarks
Touch panel input voltage	Vtp	-	-	5.5	V	-
Resistor between pins(XR-XL)	Rx	300	-	1,300	Ω	-
Resistor between pins(YU-YD)	Ry	100	-	500	Ω	-
Line linearity (X direction)	Xlin	-	-	1.5	%	Note1
Line linearity (Y direction)	Ylin	-	-	1.5	%	Note1
Insulation resistance	Rins	20	-	-	MΩ	at DC 25V
Static capacitance	Ctp	-	-	100	nF	-
Chattering	Chat	-	-	10	ms	Note1
Operation starting force	Ost	-	-	0.784	N	Note1, Note2
				80	gf	
Surface hardness	Hs	3	-	-	H	Pencil hardness
Line writing life	Lwl	50,000	-	-	times	Polyacetal stylus pen: R0.8mm Load: 2.45N(250gf), 35mm
Point hitting life	Lhp	1,000,000	-	-	times	Polyacetal stylus pen: R0.8mm Load: 2.45N(250gf)
	Lhr	1,000,000	-	-	times	Silicon rubber: R8mm, Hardness 60° Load: 2.94N(300gf)

Note1: Input method are a Finger or R0.8mm Polyacetal Stylus Pen

Note2: Test condition

Resistance between X and Y axis must be 2kΩ or less, and the test voltage is 5V DC.

### 4.3.4 Power supply voltage ripple

This product works, even if the ripple voltage levels are beyond the permissible values as following the table, but there might be noise on the display image.

Power supply voltage		Ripple voltage (Measure at input terminal of power supply)	Unit
VCC	3.3V	≤ 100	mVp-p

Note1: The permissible ripple voltage includes spike noise.

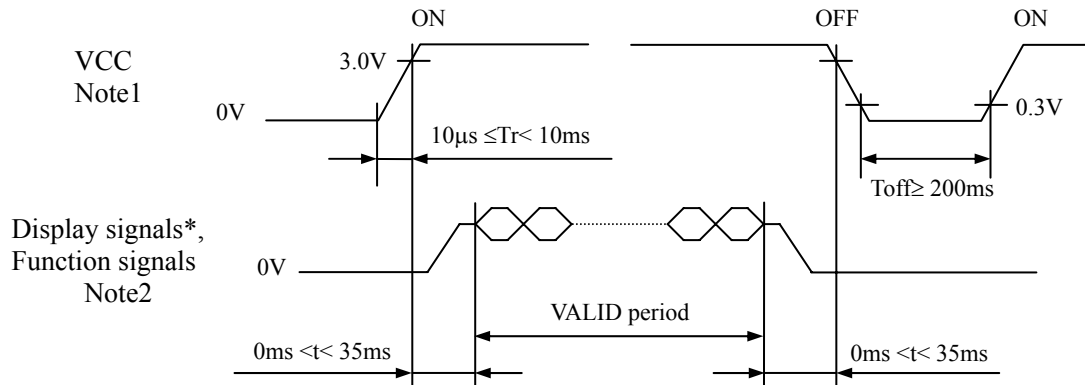
### 4.3.5 Fuse

Parameter	Fuse		Rating	Fusing current	Remarks
	Type	Supplier			
VCC	FCC16202AB	KAMAYA ELECTRIC Co., Ltd.	2.0A	4.0A	Note1
			32V		

Note1: The power supply capacity should be more than the fusing current. If it is less than the fusing current, the fuse may not blow in a short time, and then nasty smell, smoke and so on may occur.

## 4.4 POWER SUPPLY VOLTAGE SEQUENCE

### 4.4.1 LCD panel signal processing board



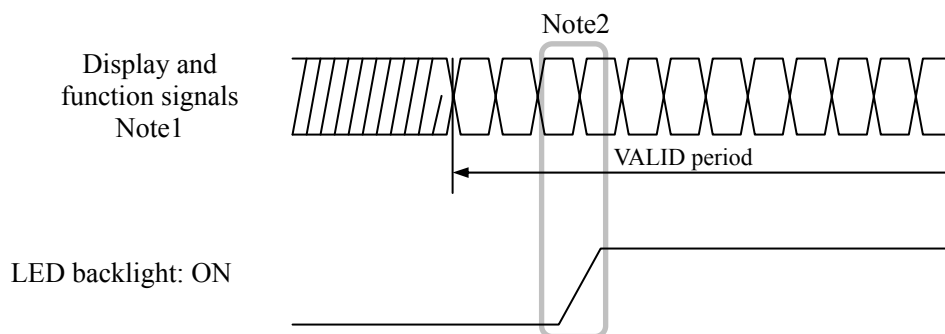
\* These signals should be measured at the terminal of 100Ω resistance.

Note1: In terms of voltage variation (voltage drop) while VCC rising edge is below 3.0V, a protection circuit may work, and then this product may not work.

Note2: Display signals (D0+/-, D1+/-, D2+/- and CLK+/-) must be Low or High-impedance, exclude the VALID period (See above sequence diagram), in order to avoid that internal circuits is damaged.

If some of display and function signals of this product are cut while this product is working, even if the signal input to it once again, it might not work normally. VCC should be cut when the display and function signals are stopped.

### 4.4.2 LED lighting circuit



Note1: These are the display and function signals for LCD panel signal processing board.

Note2: The backlight should be turned on within the valid period of display and function signals, in order to avoid unstable data display.

# PRELIMINARY

## 4.5 CONNECTIONS AND FUNCTIONS FOR INTERFACE PINS

### 4.5.1 LCD panel signal processing board

CN1 socket (LCD module side): DF19L-30P-1H (Hirose Electric Co., Ltd. (HRS))

Adaptable plug: DF19G-30S-1C, DF19G-30S-1F (Hirose Electric Co., Ltd. (HRS))

Pin No.	Symbol	Signal	Remarks
1	YU	Vertical terminal (Up side)	Note6
2	XL	Horizontal terminal (Left side)	
3	YD	Vertical terminal (Down side)	
4	XR	Horizontal terminal (Right side)	
5	GND	Ground	Note1
6	A1	Anode1	-
7	K1	Cathode1	-
8	A2	Anode2	-
9	K2	Cathode2	-
10	A3	Anode3	-
11	K3	Cathode3	-
12	GND	Ground	Note1
13	VCC	Power supply	Note1
14	VCC		
15	V EDID	DDC 3.3V	-
16	CLK EDID	DDC CLK	-
17	DATA EDID	DDC Data	-
18	GND	Ground	Note1
19	D0-	Pixel data (R0-R5,G0)	Note2
20	D0+		
21	GND	Ground	Note1
22	D1-	Pixel data (G1-G5,B0-B1)	Note2
23	D1+		
24	GND	Ground	Note1
25	D2-	Pixel data (B2-B5,DE)	Note2
26	D2+		
27	GND	Ground	Note1
28	CLK-	Pixel clock	Note2
29	CLK+		
30	GND	Ground	Note1

Note1: All GND and VCC terminals should be used without any non-connected lines.

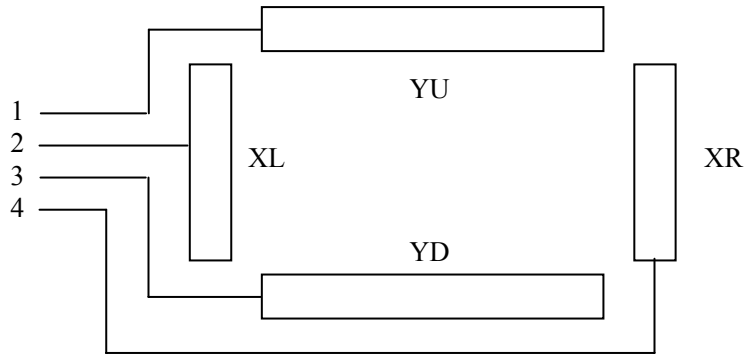
Note2: Twist pair wires with 100Ω (Characteristic impedance) should be used between LCD panel signal processing board and LVDS transmitter.

Note3: See "4.6 DISPLAY COLORS AND INPUT DATA SIGNALS".

Note4: See "4.8 SCANNING DIRECTIONS".

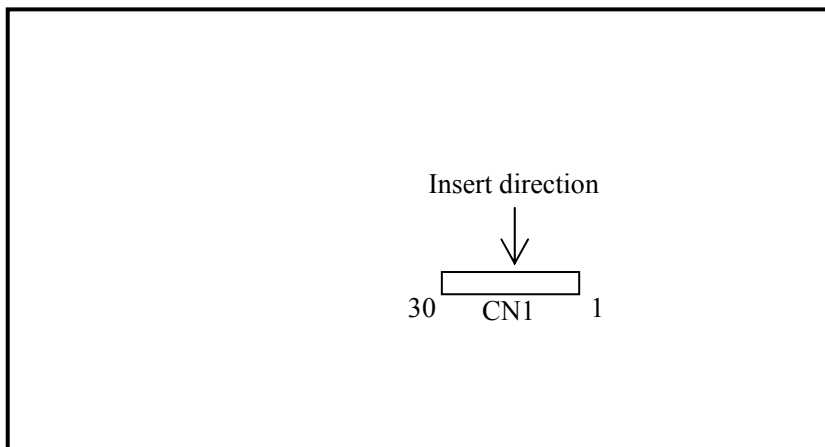
Note5: See "4.5.4 Connection between receiver and transmitter for LVDS".

Note6: Connection description of Touch Panel

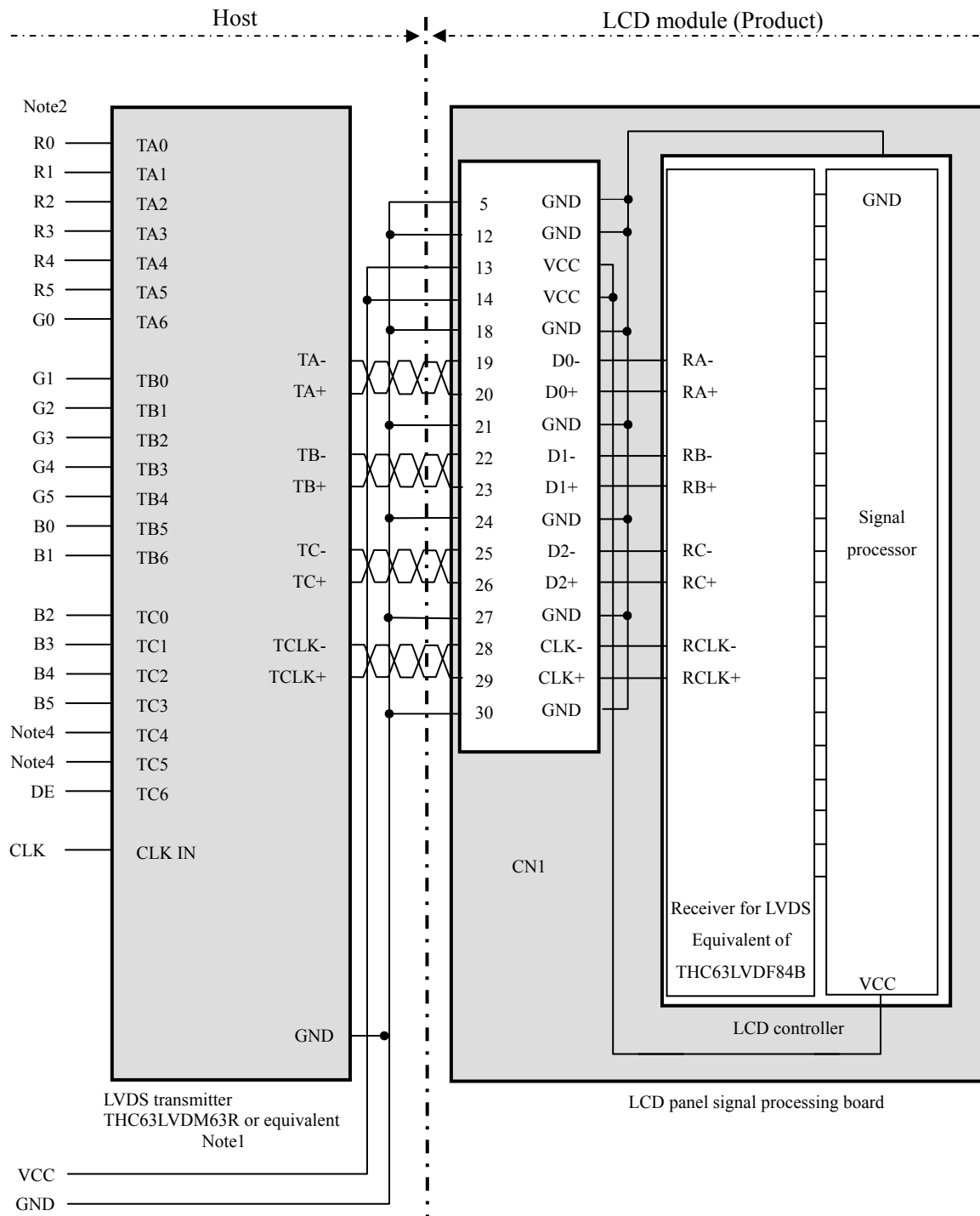


#### 4.5.2 Positions of plug and socket

Rear side



### 4.5.3 Connection between receiver and transmitter for LVDS



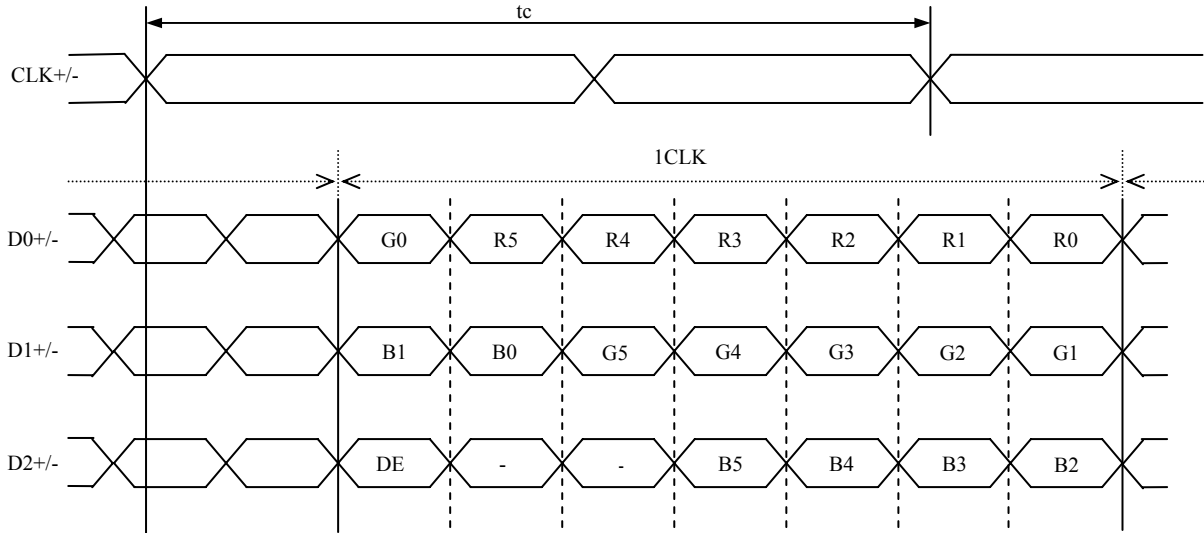
Note1: Recommended transmitter THC63LVDM63R (THine Electronics Inc.) or equivalent

Note2: LSB (Least Significant Bit) – R0, G0, B0 MSB (Most Significant Bit) – R5, G5, B5

Note3: Twist pair wires with 100Ω (Characteristic impedance) should be used between LCD panel signal processing board and LVDS transmitter.

Note4: Input signals to TC4 and TC5 are not used inside the product, but do not keep TC4 and TC5 open to avoid noise problem.

## 4.5.4 Input data mapping



# PRELIMINARY

## 4.6 DISPLAY COLORS AND INPUT DATA SIGNALS

This product can display equivalent of 262,144 colors in 64 gray scales by combination.  
Also the relation between display colors and input data signals is as the following table.

Display colors		Data signal (0: Low level, 1: High level)																	
		R5	R4	R3	R2	R1	R0	G5	G4	G3	G2	G1	G0	B5	B4	B3	B2	B1	B0
Basic colors	Black	0	0	0	0	0	0	0	0	0	0	0	0	0	0	0	0	0	0
	Blue	0	0	0	0	0	0	0	0	0	0	0	0	1	1	1	1	1	1
	Red	1	1	1	1	1	1	0	0	0	0	0	0	0	0	0	0	0	0
	Magenta	1	1	1	1	1	1	0	0	0	0	0	0	1	1	1	1	1	1
	Green	0	0	0	0	0	0	1	1	1	1	1	1	0	0	0	0	0	0
	Cyan	0	0	0	0	0	0	1	1	1	1	1	1	1	1	1	1	1	1
	Yellow	1	1	1	1	1	1	1	1	1	1	1	1	0	0	0	0	0	0
	White	1	1	1	1	1	1	1	1	1	1	1	1	1	1	1	1	1	1
Red gray scale	Black	0	0	0	0	0	0	0	0	0	0	0	0	0	0	0	0	0	0
	dark	0	0	0	0	0	1	0	0	0	0	0	0	0	0	0	0	0	0
	↑				⋮														
	↓				⋮														
	bright	1	1	1	1	0	1	0	0	0	0	0	0	0	0	0	0	0	0
Red	1	1	1	1	1	1	0	0	0	0	0	0	0	0	0	0	0	0	
Green gray scale	Black	0	0	0	0	0	0	0	0	0	0	0	0	0	0	0	0	0	0
	dark	0	0	0	0	0	0	0	0	0	0	1	0	0	0	0	0	0	0
	↑				⋮														
	↓				⋮														
	bright	0	0	0	0	0	0	1	1	1	1	0	1	0	0	0	0	0	0
Green	0	0	0	0	0	0	1	1	1	1	1	1	0	0	0	0	0	0	
Blue gray scale	Black	0	0	0	0	0	0	0	0	0	0	0	0	0	0	0	0	0	0
	dark	0	0	0	0	0	0	0	0	0	0	0	0	0	0	0	0	1	0
	↑				⋮														
	↓				⋮														
	bright	0	0	0	0	0	0	0	0	0	0	0	0	1	1	1	1	0	1
Blue	0	0	0	0	0	0	0	0	0	0	0	0	1	1	1	1	1	0	
Blue	0	0	0	0	0	0	0	0	0	0	0	0	1	1	1	1	1	1	



## 4.7 DISPLAY POSITIONS

The following table is the coordinates per pixel (See "4.8 SCANNING DIRECTIONS").

C (0, 0)						
R	G	B				
C( 0, 0)	C( 1, 0)	...	C( X, 0)	...	C(1278, 0)	C((1279, 0)
C( 0, 1)	C( 1, 1)	...	C( X, 1)	...	C((1278, 1)	C((1279, 1)
.	.	.	.	.	.	.
.	.	...	.	.	.	.
.	.	.	.	.	.	.
C( 0, Y)	C( 1, Y)	...	C( X, Y)	...	C((1278, Y)	C((1279, Y)
.	.	.	.	.	.	.
.	.	...	.	.	.	.
.	.	.	.	.	.	.
C( 0, 766)	C( 1, 766)	...	C( X, 766)	...	C((1278, 766)	C((1279, 766)
C( 0, 767)	C( 1, 767)	...	C( X, 767)	...	C((1278, 767)	C((1279, 767)

## 4.8 SCANNING DIRECTIONS

The following figures are seen from a front view. Also the arrow shows the direction of scan.

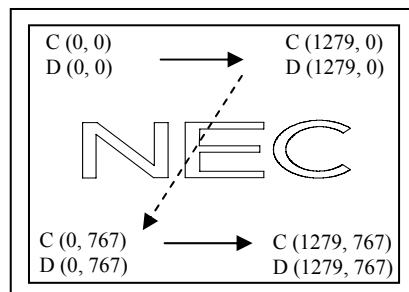


Figure1. Scanning direction

Note1: Meaning of C (X, Y) and D (X, Y)

C (X, Y): The coordinates of the display position (See "4.7 DISPLAY POSITIONS".)

D (X, Y): The data number of input signal for LCD panel signal processing board

## 4.9 DDC FUNCTION

This product has equivalent of BR24L02-W (ROHM CO., LED..) or Compatible as a memory to write the EDID for the DDC.

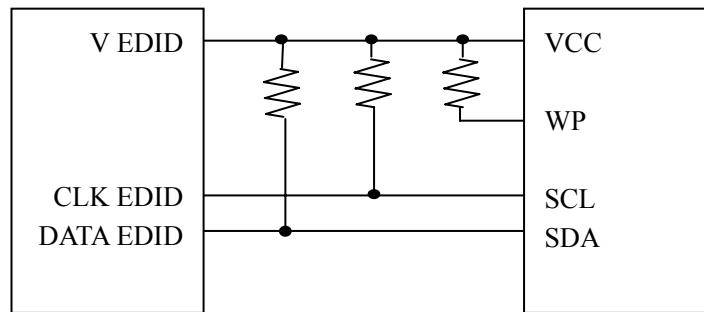
The internal equivalent circuit is following figure.

Control method and usage are according to SPWG (corresponding to Version 3.5) and IC specifications.

See “**NL12876BC15-01 EDID Table**” of the following page for detail.

DDC: Display Data Channel  
 EDID: Extended Display Identification Data  
 SPWG: STANDARD PANELS WORKING GROUP

<Internal equivalent circuit>



CN1

Equivalent of  
 BR24L02-W (ROHM CO., LTD.) or Compatible

# PRELIMINARY

<NL12876BC15-01 EDID Table (1/3)>

Address (DEC)	Address (HEX)	Field Name & Comments	Value (HEX)	BIN	DEC
0	00	Header	00	00000000	0
1	01	Header	FF	11111111	255
2	02	Header	FF	11111111	255
3	03	Header	FF	11111111	255
4	04	Header	FF	11111111	255
5	05	Header	FF	11111111	255
6	06	Header	FF	11111111	255
7	07	Header	00	00000000	0
8	08	EISA manufacture code = “ ”	FF	11111111	255
9	09	EISA manufacture code (Compressed ASCII)	FF	11111111	255
10	0A	Panel Supplier Reserved – Product Code	00	00000000	0
11	0B	Panel Supplier Reserved – Product Code	00	00000000	0
12	0C	LCD module Serial No	00	00000000	0
13	0D	LCD module Serial No	00	00000000	0
14	0E	LCD module Serial No	00	00000000	0
15	0F	LCD module Serial No	00	00000000	0
16	10	Week of manufacture	00	00000000	0
17	11	Year of manufacture	11	00010001	17
18	12	EDID structure version # = 1	01	00000001	1
19	13	EDID revision # = 3	03	00000011	3
20	14	Video I/P definition	80	10000000	128
21	15	Max H image size = 19.4cm	13	00010011	19
22	16	Max V image size = 11.6cm	0C	00001100	12
23	17	Display gamma = 2.2	78	01111000	120
24	18	Feature support (no DPMS, Active off, RGB, timing BLK 1)	0A	00001010	10
25	19	Red/Green Low bit (RxRy/GxGy)	00	00000000	0
26	1A	Blue/White Low bit (BxBY/WxWy)	00	00000000	0
27	1B	Red X Rx = 0.xxx	00	00000000	0
28	1C	Red Y Ry = 0.xxx	00	00000000	0
29	1D	Green X Gx = 0.xxx	00	00000000	0
30	1E	Green Y Gy = 0.xxx	00	00000000	0
31	1F	Blue X Bx = 0.xxx	00	00000000	0
32	20	Blue Y By = 0.xxx	00	00000000	0
33	21	White X Wx = 0.xxx	00	00000000	0
34	22	White Y Wy = 0.xxx	00	00000000	0
35	23	Established timings 1	00	00000000	0
36	24	Established timings 2	00	00000000	0
37	25	Manufacturer’s timings	00	00000000	0
38	26	Standard timing ID1	01	00000001	1
39	27	Standard timing ID1	01	00000001	1
40	28	Standard timing ID2	01	00000001	1
41	29	Standard timing ID2	01	00000001	1
42	2A	Standard timing ID3	01	00000001	1
43	2B	Standard timing ID3	01	00000001	1
44	2C	Standard timing ID4	01	00000001	1
45	2D	Standard timing ID4	01	00000001	1

# PRELIMINARY

<NL12876BC15-01 EDID Table (2/3)>

Address (DEC)	Address (HEX)	Field Name & Comments	Value (HEX)	BIN	DEC
46	2E	Standard timing ID5	01	00000001	1
47	2F	Standard timing ID5	01	00000001	1
48	30	Standard timing ID6	01	00000001	1
49	31	Standard timing ID6	01	00000001	1
50	32	Standard timing ID7	01	00000001	1
51	33	Standard timing ID7	01	00000001	1
52	34	Standard timing ID8	01	00000001	1
53	35	Standard timing ID8	01	00000001	1
54	36	<b>Timing Descriptor #1: Pixel Clock/10000 (LSB)</b>	A9	10101001	169
55	37	Pixel Clock/10000 (MSB)	1A	00011010	26
56	38	Horizontal Active = 1280 pixels (lower 8 bits)	00	00000000	0
57	39	Horizontal Blanking (Thbp) = 80 pixels (lower 8 bits)	50	01010000	80
58	3A	Horizontal Active/Horizontal Blanking (upper4: 4bits)	50	01010000	80
59	3B	Vertical Active = 768 lines	00	00000000	0
60	3C	DE Blanking = 22 lines	16	00010110	22
61	3D	Vertical Active: DE Blanking (upper4: 4bits)	30	00110000	48
62	3E	Horizontal Sync, Offset(Thfp) = 48 pixels	30	00110000	48
63	3F	Horizontal Sync, Pulse Width = 32 pixels	20	00100000	32
64	40	Vertical Sync, Offset (Tvfp) = 3 lines Sync Width = 7 lines	37	00110111	55
65	41	Horizontal Vertical Sync Offset/Width upper 2 bits	00	00000000	0
66	42	Horizontal image Size = 194mm	C2	11000010	194
67	43	Vertical image Size = 116mm	74	01110100	116
68	44	Horizontal image Size / Vertical image Size	00	00000000	0
69	45	Horizontal Border = 0	00	00000000	0
70	46	Vertical Border = 0	00	00000000	0
71	47	Non-interlaced, Normal, no stereo, Separate sync, H/V pol Negatives, DE only note: LSB is set to "1" if panel is DE-timing only. H/V can be ignored.	19	00011001	25
72	48	<b>Timing Descriptor#2: -</b>	00	00000000	0
73	49	-	00	00000000	0
74	4A	-	00	00000000	0
75	4B	-	00	00000000	0
76	4C	-	00	00000000	0
77	4D	-	00	00000000	0
78	4E	-	00	00000000	0
79	4F	-	00	00000000	0
80	50	-	00	00000000	0
81	51	-	00	00000000	0
82	52	-	00	00000000	0
83	53	-	00	00000000	0
84	54	-	00	00000000	0
85	55	-	00	00000000	0

# PRELIMINARY

<NL12876BC15-01 EDID Table (3/3)>

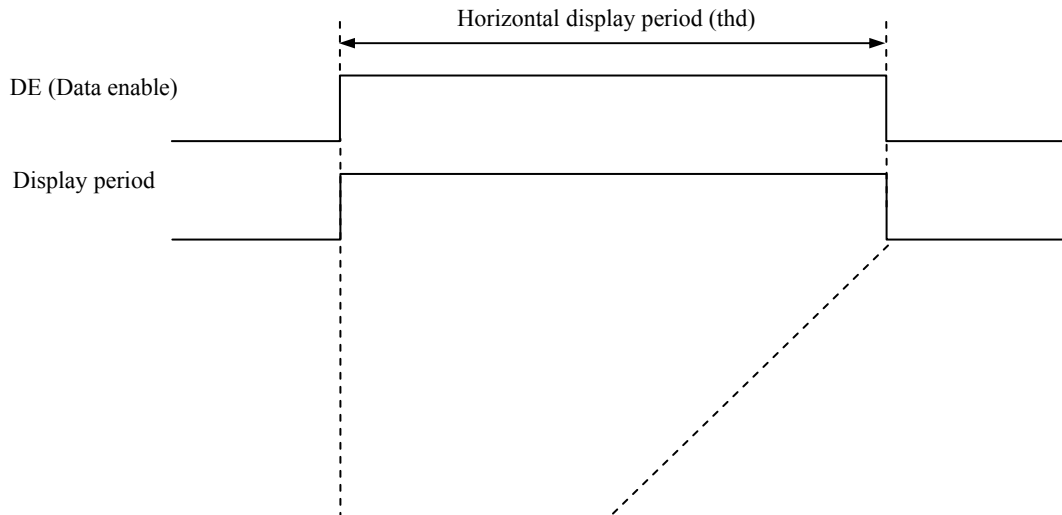
Address (DEC)	Address (HEX)	Field Name & Comments	Value (HEX)	BIN	DEC
86	56	-	00	00000000	0
87	57	Horizontal Border = 0	00	00000000	0
88	58	Vertical Border = 0	00	00000000	0
89	59	-	00	00000000	0
90	5A	Flag	00	00000000	0
91	5B	Flag	00	00000000	0
92	5C	Flag	00	00000000	0
93	5D	Dummy Descriptor	FE	11111110	254
94	5E	Flag	00	00000000	0
95	5F	PC Maker P/N 1 <sup>st</sup> Character	00	00000000	0
96	60	PC Maker P/N 2 <sup>nd</sup> Character	00	00000000	0
97	61	PC Maker P/N 3 <sup>rd</sup> Character	00	00000000	0
98	62	PC Maker P/N 4 <sup>th</sup> Character	00	00000000	0
99	63	PC Maker P/N 5 <sup>th</sup> Character	00	00000000	0
100	64	LCD Supplier EDID Revision #	00	00000000	0
101	65	Manufacturer P/N	00	00000000	0
102	66	Manufacturer P/N	00	00000000	0
103	67	Manufacturer P/N	00	00000000	0
104	68	Manufacturer P/N	00	00000000	0
105	69	Manufacturer P/N	00	00000000	0
106	6A	Manufacturer P/N	00	00000000	0
107	6B	Manufacturer P/N (if <13 char, terminate with ASCII code 0Ah, set remaining char = 20h)	0A	00001010	10
108	6C	Flag	00	00000000	0
109	6D	Flag	00	00000000	0
110	6E	Flag	00	00000000	0
111	6F	Data Type Tag:	FE	11111110	254
112	70	Flag	00	00000000	0
113	71	SMBUS Value = XX nits	00	00000000	0
114	72	SMBUS Value = XX nits	00	00000000	0
115	73	SMBUS Value = XX nits	00	00000000	0
116	74	SMBUS Value = XX nits	00	00000000	0
117	75	SMBUS Value = XX nits	00	00000000	0
118	76	SMBUS Value = XX nits	00	00000000	0
119	77	SMBUS Value = XX nits	00	00000000	0
120	78	SMBUS Value = max nits (Typically = 00h, XXXnits)	00	00000000	0
121	79	Number of LVDS channels = 1 or 2	01	00000001	1
122	7A	Panel Self Test(00-Not Present, 01-Present)	00	00000000	0
123	7B	(If < 13 char, then terminate with ASCII code 0Ah, set remaining char = 20h)	0A	00001010	10
124	7C		20	00100000	32
125	7D		20	00100000	32
126	7E	Extension Flag	00	00000000	0
127	7F	Checksum	F2	11110010	242

## 4.10 INPUT SIGNAL TIMINGS

### 4.10.1 Outline of input signal timings

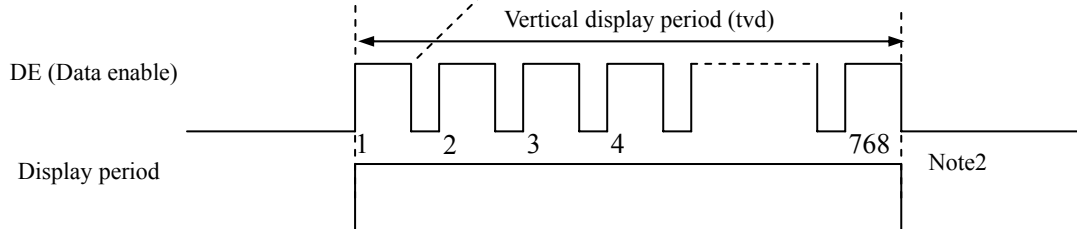
- Horizontal signal

Note1



- Vertical signal

Note1



Note1: This diagram indicates virtual signal for set up to timing.

Note2: See "**4.10.3 Input signal timing chart**" for numeration of pulse.

# PRELIMINARY

## 4.10.2 Timing characteristics

(Note1, Note2, Note3)

Parameter		Symbol	min.	typ.	max.	Unit	Remarks	
CLK	Frequency	1/tc	TBD	68.25	TBD	MHz	14.652ns	
	Duty	-	-			-	-	
	Rise time, Fall time	-				ns		
DATA	CLK-DATA	Setup time	-	-			ns	-
		Hold time	-				ns	
	Rise time, Fall time	-	ns					
DE	Horizontal	Cycle	th	TBD	21.099	TBD	μs	47.396kHz (typ.)
				-	1440	-	CLK	
		Display period	thd	1,280			CLK	-
	Vertical (One frame)	Cycle	tv	TBD	16.668	TBD	ms	59.995Hz (typ.)
				-	790	-	H	
		Display period	tvd	768			H	
	CLK-DE	Setup time	-	-			ns	-
Hold time		-	ns					
	Rise time, Fall time	-				ns		

Note1: Definition of parameters is as follows.

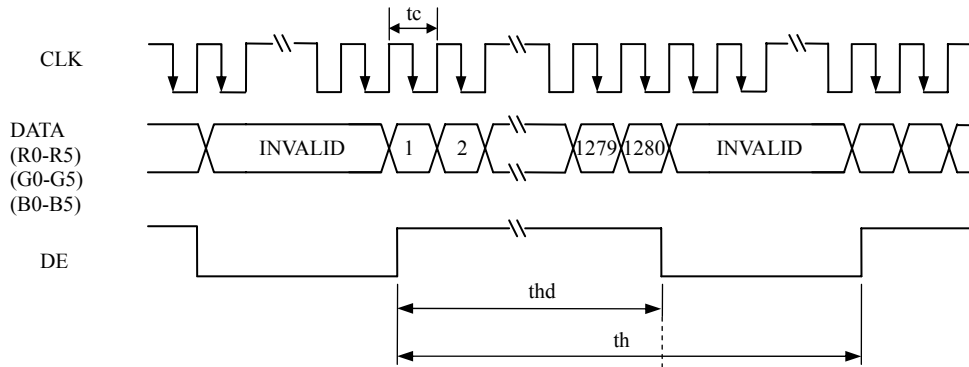
$$tc = 1CLK, th = 1H$$

Note2: See the data sheet of LVDS transmitter.

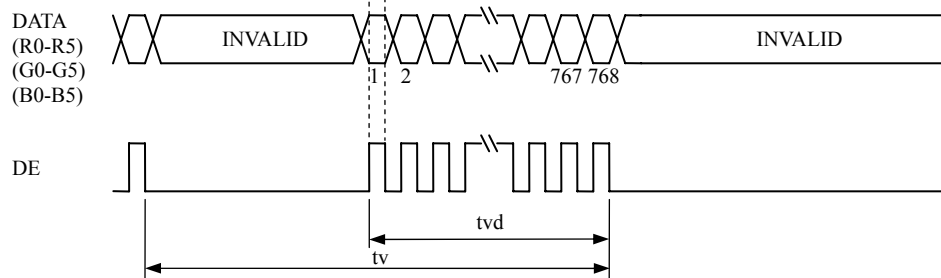
Note3: Vertical cycle (tv) should be specified in integral multiple of Horizontal cycle (th).

### 4.10.3 Input signal timing chart

#### Horizontal timing



#### Vertical timing





4.11 OPTICS

4.11.1 Optical characteristics

(Note1, Note2)

Parameter	Condition	Symbol	min.	typ.	max.	Unit	Measuring instrument	Remarks	
Luminance	White at center $\theta R=0^\circ, \theta L=0^\circ, \theta U=0^\circ, \theta D=0^\circ$	L	TBD	280	-	cd/m <sup>2</sup>	BM-5A	-	
Contrast ratio	White/Black at center $\theta R=0^\circ, \theta L=0^\circ, \theta U=0^\circ, \theta D=0^\circ$	CR	TBD	500	-	-	BM-5A	Note3	
Luminance uniformity	White $\theta R=0^\circ, \theta L=0^\circ, \theta U=0^\circ, \theta D=0^\circ$	LU	-	1.25	1.4	-	BM-5A	Note4	
Chromaticity	White	x coordinate	W <sub>x</sub>	0.272	0.322	0.372	-	SR-3	Note5
		y coordinate	W <sub>y</sub>	0.290	0.340	0.390	-		
	Red	x coordinate	R <sub>x</sub>	-	TBD	-	-		
		y coordinate	R <sub>y</sub>	-	TBD	-	-		
	Green	x coordinate	G <sub>x</sub>	-	TBD	-	-		
		y coordinate	G <sub>y</sub>	-	TBD	-	-		
Blue	x coordinate	B <sub>x</sub>	-	TBD	-	-			
	y coordinate	B <sub>y</sub>	-	TBD	-	-			
Color gamut	$\theta R=0^\circ, \theta L=0^\circ, \theta U=0^\circ, \theta D=0^\circ$ at center, against NTSC color space	C	TBD	50	-	%			
Response time	White to Black	T <sub>on</sub>	-	6	-	ms	BM-5A	Note6	
	Black to White	T <sub>off</sub>	-	2	-	ms		Note7	
Viewing angle	Right	$\theta U=0^\circ, \theta D=0^\circ, CR \geq 10$	$\theta R$	-	45	-	EZ Contrast	Note8	
	Left	$\theta U=0^\circ, \theta D=0^\circ, CR \geq 10$	$\theta L$	-	45	-			
	Up	$\theta R=0^\circ, \theta L=0^\circ, CR \geq 10$	$\theta U$	-	20	-			
	Down	$\theta R=0^\circ, \theta L=0^\circ, CR \geq 10$	$\theta D$	-	40	-			

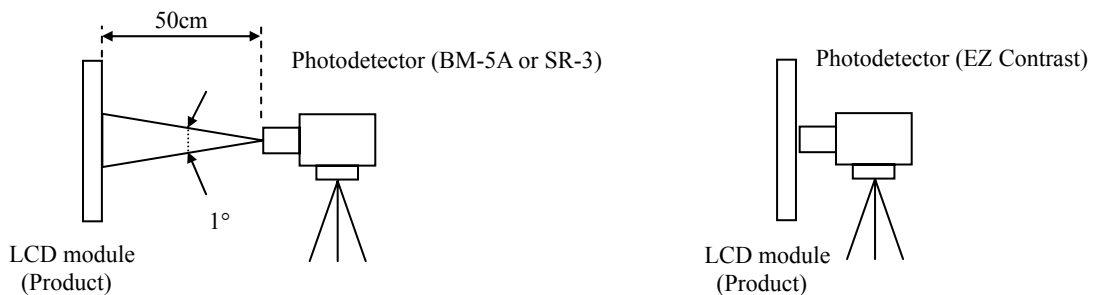
Note1: These are initial characteristics.

Note2: Measurement conditions are as follows.

T<sub>a</sub>= 25°C, VCC= 3.3V, I<sub>L</sub>= 20mA

Horizontal cycle= 1/47.396kHz, Vertical cycle= 1/59.995Hz

Optical characteristics are measured at luminance saturation after 20minutes from working the product, in the dark room. Also measurement methods are as follows.



Note3: See "4.11.2 Definition of contrast ratio".

Note4: See "4.11.3 Definition of luminance uniformity".

Note5: These coordinates are found on CIE 1931 chromaticity diagram.

Note6: Product surface temperature: TopF = TBD°C

Note7: See "4.11.4 Definition of response times".

Note8: See "4.11.5 Definition of viewing angles".

### 4.11.2 Definition of contrast ratio

The contrast ratio is calculated by using the following formula.

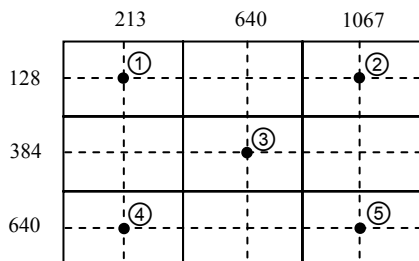
$$\text{Contrast ratio (CR)} = \frac{\text{Luminance of white screen}}{\text{Luminance of black screen}}$$

### 4.11.3 Definition of luminance uniformity

The luminance uniformity is calculated by using following formula.

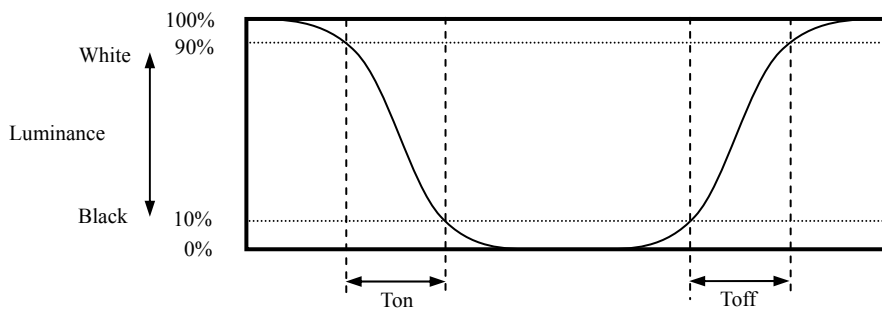
$$\text{Luminance uniformity (LU)} = \frac{\text{Maximum luminance from ① to ⑤}}{\text{Minimum luminance from ① to ⑤}}$$

The luminance is measured at near the 5 points shown below.

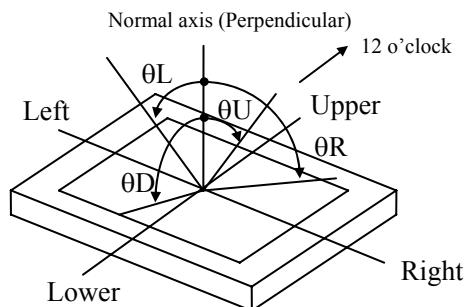


### 4.11.4 Definition of response times

Response time is measured, the luminance changes from " black " to " white ", or " white " to " black " on the same screen point, by photo-detector. Ton is the time it takes the luminance change from 10% up to 90%. Also Toff is the time it takes the luminance change from 90% down to 10% (See the following diagram.).



### 4.11.5 Definition of viewing angles



# PRELIMINARY

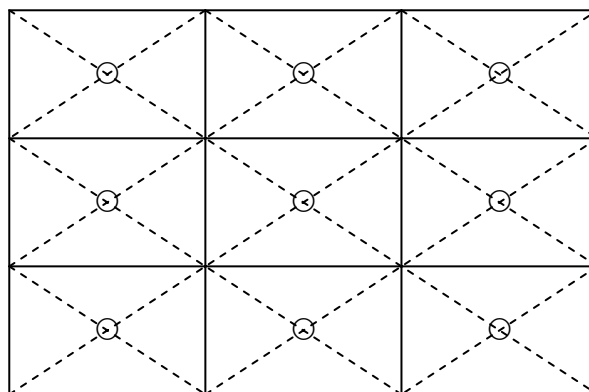
## 5. RELIABILITY TESTS

(Note1)

Test item	Condition	Judgment
High temperature and humidity (Operation)	① 60 ± 2°C, RH= 60%, 240hours ② Display data is Black.	No display malfunctions
Heat cycle (Operation)	① -20 ± 3°C...1hour 60 ± 3°C...1hour ② 50cycles, 4 hours/cycle ③ Display data is Black.	
Thermal shock (Non operation)	① -30 ± 3°C...30minutes 70 ± 3°C...30minutes ② 100cycles, 1hour/cycle ③ Temperature transition time is within 5 minutes.	
ESD (Operation)	① 150pF, 330Ω, ±10kV ② 9 places on a panel surface Note2 ③ 10 times each places at 1 sec interval	
Dust (Operation)	① Sample dust: No. 15 (by JIS-Z8901)) ② 15 seconds stir ③ 8 times repeat at 1 hour interval	
Vibration (Non operation)	① 5 to 100Hz, 19.6m/s <sup>2</sup> ② 1 minute/cycle ③ X, Y, Z directions ④ 120 times each directions	No display malfunctions No physical damages
Mechanical shock (Non operation)	① 539m/ s <sup>2</sup> , 11ms ② ±X, ±Y, ±Z directions ③ 5 times each directions	

Note1: Display and appearance are checked under environmental conditions equivalent to the inspection conditions of defect criteria.

Note2: See the following figure for discharge points.



## 6. PRECAUTIONS

### 6.1 MEANING OF CAUTION SIGNS

The following caution signs have very important meaning. **Be sure to read "6.2 CAUTIONS" and "6.3 ATTENTIONS", after understanding these contents!**



This sign has the meaning that customer will be injured by himself or the product will sustain a damage, if customer has wrong operations.



This sign has the meaning that customer will be injured by himself, if customer has wrong operations.

### 6.2 CAUTIONS



- \* **Do not touch the working backlight. There is a danger of burn injury.**
- \* **Do not shock and press the LCD panel and the backlight! There is a danger of breaking, because they are made of glass. (Shock: To be not greater 539m/s<sup>2</sup> and to be not greater 11ms, Pressure: To be not greater 19.6 N (φ16mm jig))**

### 6.3 ATTENTIONS



#### 6.3.1 Handling of the product

- ① Take hold of both ends without touching the circuit board when the product (LCD module) is picked up from inner packing box to avoid broken down or misadjustment, because of stress to mounting parts on the circuit board.
- ② When the product is put on the table temporarily, display surface must be placed downward.
- ③ When handling the product, take the measures of electrostatic discharge with such as earth band, ionic shower and so on, because the product may be damaged by electrostatic.
- ④ The product must be installed using mounting holes without undue stress such as bends or twist (See outline drawings). And do not add undue stress to any portion (such as bezel flat area). Bends or twist described above and undue stress to any portion may cause display mura.
- ⑤ Do not hit or rub the surface of touch panel with hard materials, because it is easily scratched. (Touch panel pencil-hardness: 3H)
- ⑥ Do not push nor pull the interface connectors while the product is working.
- ⑦ When handling the product, use of an original protection sheet on the product surface (polarizer) is recommended for protection of product surface. Adhesive type protection sheet may change color or characteristics of the polarizer.
- ⑧ When cleaning the T/P surface, wipe it with a soft dry cloth.
- ⑨ Usually liquid crystals don't leak through the breakage of glasses because of the surface tension of thin layer and the construction of LCD panel. But, if you contact with liquid crystal for the worst, please wash it out with soap.

## 6.3.2 Environment

- ① Do not operate or store in high temperature, high humidity, dewdrop atmosphere or corrosive gases. Keep the product in packing box with antistatic pouch in room temperature to avoid dusts and sunlight, when storing the product.
- ② In order to prevent dew condensation occurring by temperature difference, the product packing box should be opened after enough time being left under the environment of an unpacking room. Evaluate the leaving time sufficiently because a situation of dew condensation occurring is changed by the environmental temperature and humidity. (Recommended leaving time: 6 hours or more with packing state)
- ③ Do not operate in high magnetic field. Circuit boards may be broken down by it.
- ④ This product is not designed as radiation hardened.

## 6.3.3 Characteristics

**The following items are neither defects nor failures.**

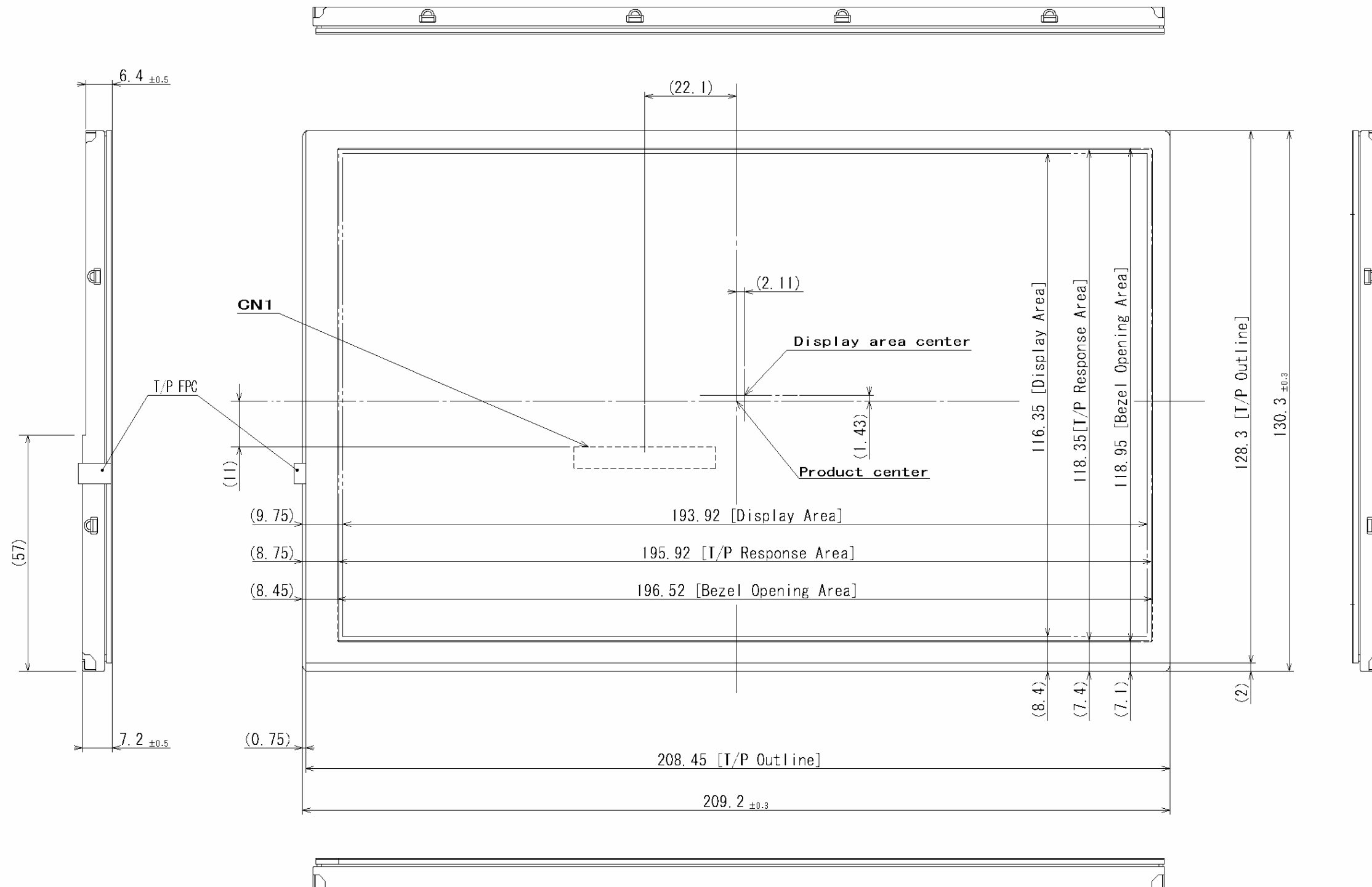
- ① Characteristics of the LCD (such as response time, luminance, color uniformity and so on) may be changed depending on ambient temperature. If the product is stored under condition of low temperature for a long time, it may cause display mura. In this case, the product should be operated after enough time being left under condition of operating temperature.
- ② Display mura, flicker, vertical seam or small spot may be observed depending on display patterns.
- ③ Do not display the fixed pattern for a long time because it may cause image sticking. Use a screen saver, if the fixed pattern is displayed on the screen.
- ④ The display color may be changed depending on viewing angle because of the use of condenser sheet in the backlight.
- ⑤ Optical characteristics may be changed depending on input signal timings.
- ⑥ Touch panel film has polarizing characteristic. And the polarizer characteristics differ among products. Therefore, when seeing the displays through the other polarizing material (for example polarizing sunglasses), some displays can not be seen and some displays look different color darker because of polarizer characteristic mismatching between touch panel film and the other polarizing material.

## 6.3.4 Other

- ① All GND and VCC terminals should be used without any non-connected lines.
- ② Do not disassemble a product or adjust variable resistors.
- ③ Pack the product with original shipping package, in order to avoid any damages during transportation, when returning the product to NEC for repair and so on.

# PRELIMINARY

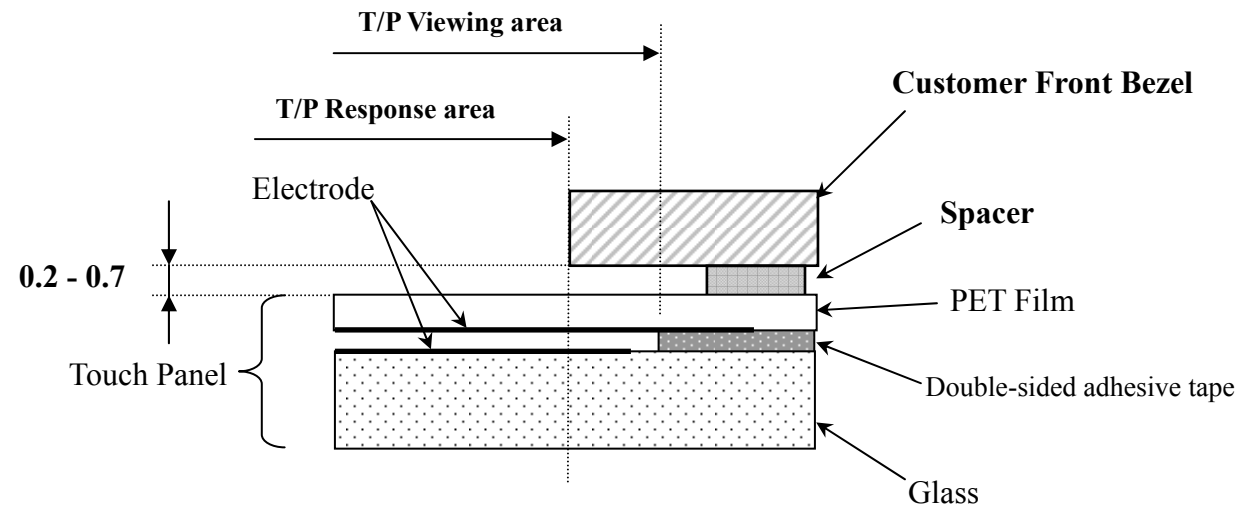
## 7. OUTLINE DRAWINGS



Note1: The values in parentheses are for reference.

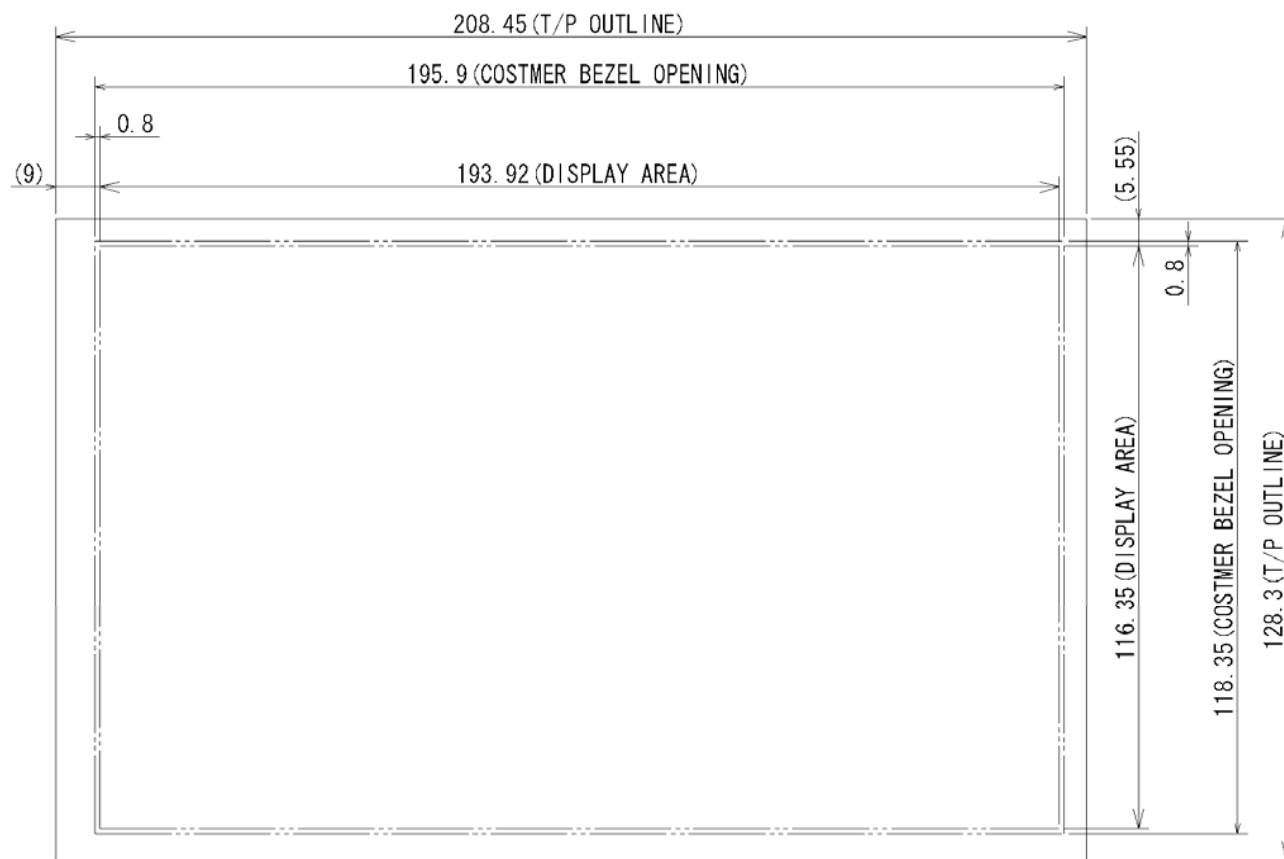
Unit: mm

## 8. RECOMMENDATION DESIGN OF CUSTOMER FRONT BEZEL

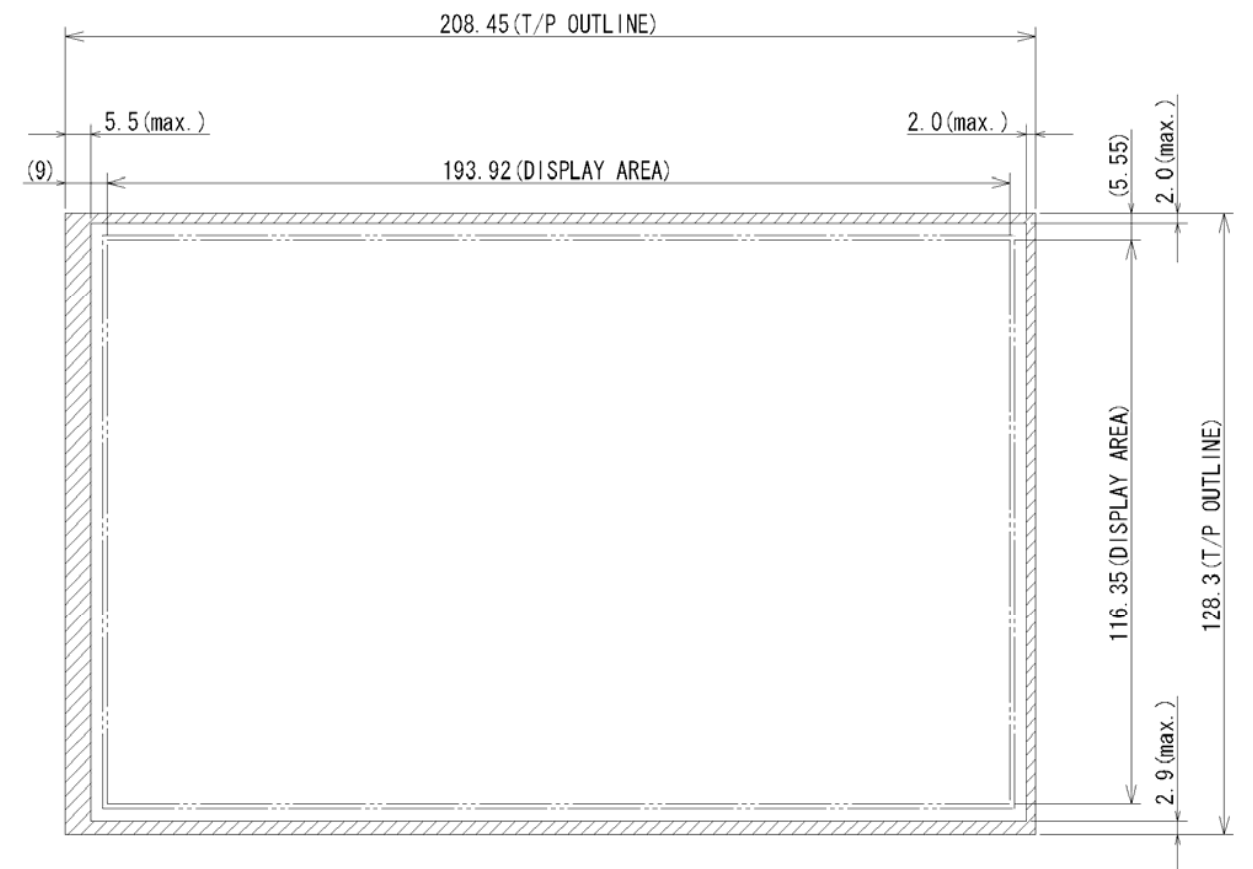


### Design guidance for Customer Front Bezel and a Spacer

1. Customer Front Bezel Opening Design
  - a. Please place Customer Front Bezel Opening to maintain the operation by a finger inside the T/P response area.
  - b. Any pressures in the area between T/P response area and T/P viewing area are prohibited. Please use an appropriate material as Customer Front Bezel.
2. Spacer design
  - a. Please put a spacer, a cushion, on the Customer Front Bezel. Do not use a double-sided adhesive tape because it adheres on the touch panel surface.
  - b. Please position the spacer over the Spacer area to avoid a "short".



Customer Front Bezel Opening Design









Spacer Design

# PRELIMINARY

## REVISION HISTORY

*The inside of latest specifications is revised to the clerical error and the major improvement of previous edition. Only a changed part such as functions, characteristic value and so on that may affect a design of customers, are described especially below.*

Edition	Document number	Prepared date	Revision contents and signature									
1st edition	DOD-PP-0414	Nov. 22, 2007	<p><b>Revision contents</b></p> <p>New issue</p> <p><b>Signature of writer</b></p> <table data-bbox="539 701 1396 824"><tr><td data-bbox="539 701 810 741"><i>Approved by</i></td><td data-bbox="813 701 1085 741"><i>Checked by</i></td><td data-bbox="1088 701 1396 741"><i>Prepared by</i></td></tr><tr><td data-bbox="539 745 810 786"></td><td data-bbox="813 745 1085 786"></td><td data-bbox="1088 745 1396 786"></td></tr><tr><td data-bbox="539 790 810 824">T. OGAWA</td><td data-bbox="813 790 1085 824"></td><td data-bbox="1088 790 1396 824">E. KATAYAMA</td></tr></table>	<i>Approved by</i>	<i>Checked by</i>	<i>Prepared by</i>				T. OGAWA		E. KATAYAMA
<i>Approved by</i>	<i>Checked by</i>	<i>Prepared by</i>										
												
T. OGAWA		E. KATAYAMA										