

REFERENCE SPECIFICATIONS

-NFC 93425 (in compliance with HE 507)

PHYSICAL CHARACTERISTICS

- INSULATOR MATERIAL: THERMOPLASTIC UL94V0
- CONTACT MATERIAL: PHOSPHOR BRONZE(SIGNAL CONTACT)
- ACCESSORIES: STAINLESS STEEL or BRASS
- SHELLS: STEEL

ELECTRICAL CHARACTERISTICS

- NOMINAL CURRENT: 7.5A (SIGNAL CONTACT)
- CONTACT RESISTANCE: <=7.3 m Ohms SIGNAL
- CONTACT/CONTACT : >=1000 V
- CONTACT/GROUND : >=1200 V
- INSULATION RESISTANCE: >=5000 MOhms
- CLIMATIC CATEGORY: 55/125/21
TEMPERATURE RANGE -55°C TO +125°C
DAMP HEAT STEADY STATE 56 DAYS
SALT SPRAY 48 HOURS

DBML13W3S300NLF

Series

Shell size: **E A B C D**
see sheet 3

M :characteristic for the DM series

Front accessory definition see sheet 2

Blank :without accessory

L :threaded insert M3

O :threaded insert UNC 4-40

V :female screw UNC 4-40

F :floating mounting

S :spacer

Layout of contacts (see sheet 3)

Contacts

S :Socket

Termination type

3 Straight version

Plating

00 straight solder 500 matings/unmatings

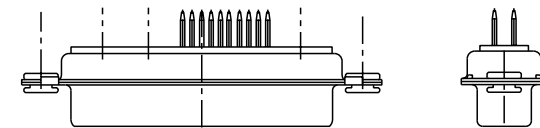
43 straight solder 500 matings/unmatings for harsh environment

N :obligatory indication for HE 507 series

See note RoHS

NOTE RoHS INFORMATION

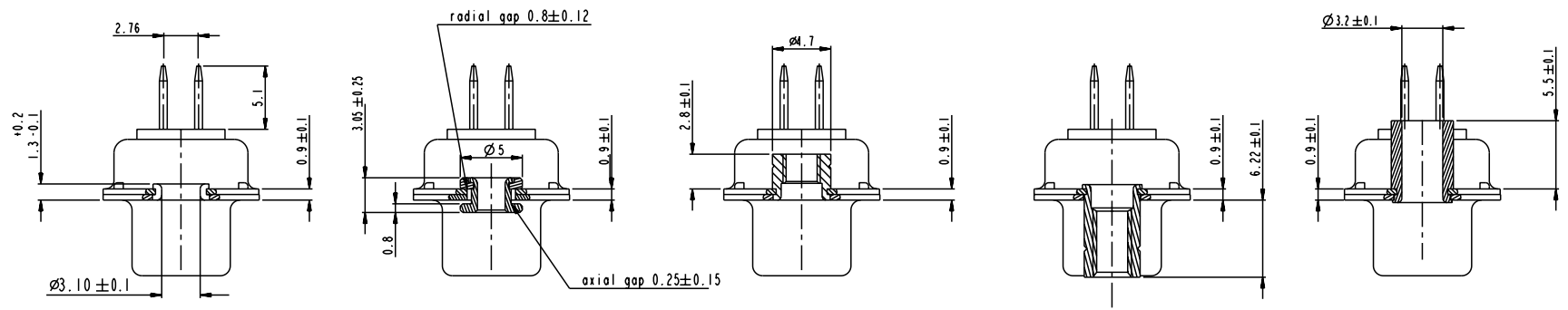
- The "LF" products meet european union Directives and other country regulations as described in GS-22-008.
- The housing will withstand exposure to 260°C peak temperature for 3.5 seconds in a wave solder application with a 1.6mm minimum thick circuit board. See application notes/procedures if they are available.
- Termination plating spec:
 - Signal contacts: Gold over Nickel
- Active area plating spec:
 - Signal contacts: Gold over Nickel
- Shell plating : Bright pure tin (white or transparent color)
- Accessories: Bright pure tin (white or transparent color)
- Packaging spec: See GS-14-920



I3W3 FOR EXAMPLE

www.fciconnect.com		surface	tolerance std	projection	mm	
		ISO 1302	ISO 406 ISO 1101	⊕		
		TOLERANCES UNLESS OTHERWISE SPECIFIED				
Dr	M PESSON	11/10/05	ANGULAR	0.X ±0.3	size	Scale
Eng	11/10/05	P LEGARE	LINEAR	0.XX ±0.1	A2	2:1
Chr			0° ±2°	0.XXX ±0.05	ECN	LS07-0273
Appr					Spec ref	
FCI		SUB FEMALE DMW		Product family		
mixed power straight solder		catalog no		deg no	C01-8637-1682	Rev. C
				CUSTOMER		sheet 1 of 7

Copyright FCI, FCI

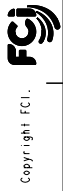


FRONT ACCESSORY **Blank** without **F** floating mounting **L** insert M3 **O** insert UNC 4.40 **V** female screw UNC 4.40 **S** Spacer

shell size LAYOUTS

PART NUMBER	FRONT ACCESSORY
D*MxWxS300NLF	without
D*MFxWxS300NLF	floating mounting
D*MLxWxS300NLF	insert M3
D*MOxWxS300NLF	insert UNC 4.40
D*MVxWxS300NLF	female screw UNC 4.40
D*MSxWxS300NLF	Spacer
D*MxWxS343NLF	without
D*MFxWxS343NLF	floating mounting
D*MLxWxS343NLF	insert M3
D*MOxWxS343NLF	insert UNC 4.40
D*MVxWxS343NLF	female screw UNC 4.40
D*MSxWxS343NLF	Spacer

- * xWx
- E 5W1
- A 11W1
- A 7W2
- B 21W1
- B 17W2
- B 13W3
- B 9W4
- C 25W3
- C 21WA4
- C 27W2
- D 47W1
- D 24W7
- D 36W4



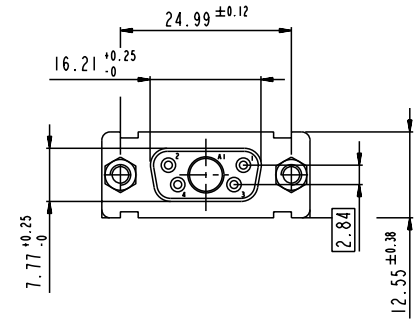
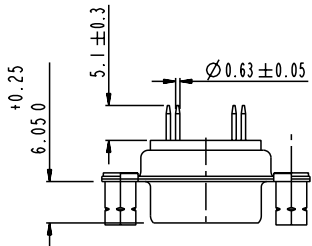
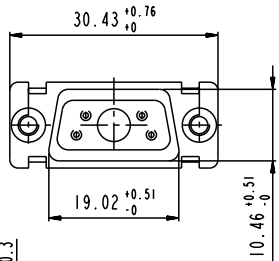
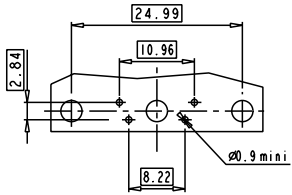
Copyright FCJ.

www.fciconnect.com		surface ISO 1302	tolerance std ISO 406 ISO 1101	projection mm
		TOLERANCES UNLESS OTHERWISE SPECIFIED		
Dr M PESSON	11/10/05	ANGULAR	0.X ±0.3	size A2
Eng 11/10/05	P LEGARE	LINEAR	0.XX ±0.1	Scale 2:1
Chr		0° ±2°	0.XXX ±0.05	ECN LS07-0273
Appr		Product family		Spec ref
FCJ		SUB FEMALE DMW		Rev. C
		mixed power straight solder		ang no C01-8637-1682
		catalog no		CUSTOMER sheet 2 of 7

SCALE: 4

5W1

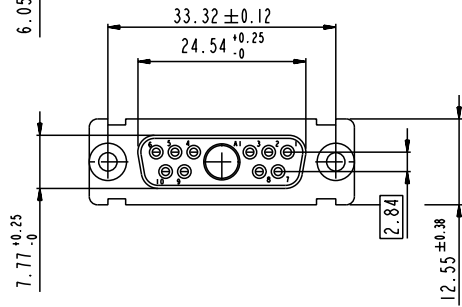
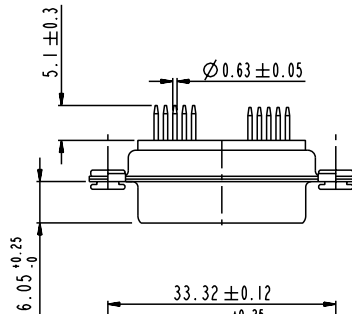
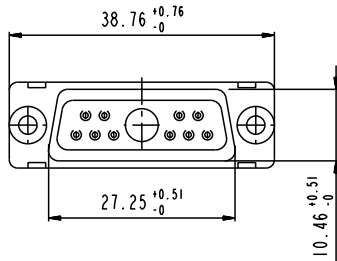
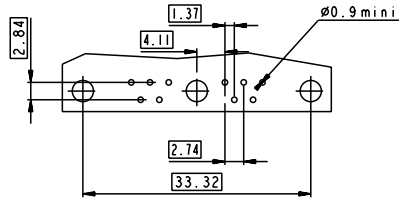
LAYOUT AND CONNECTOR DIMENSIONS



Floating signal contacts

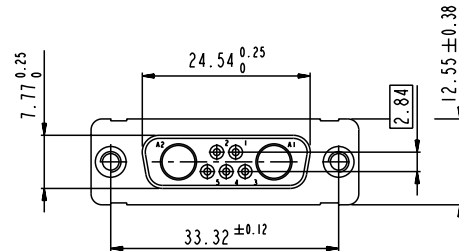
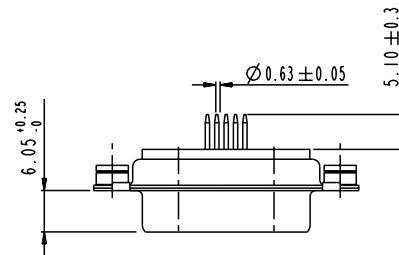
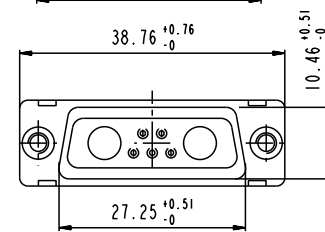
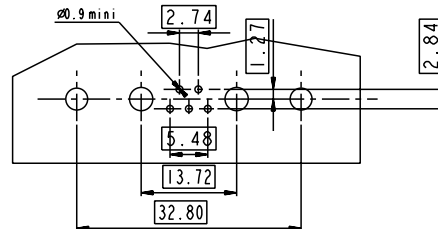
11W1

LAYOUT AND CONNECTOR DIMENSIONS

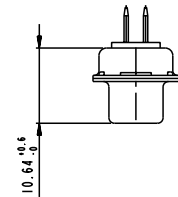


7W2

LAYOUT AND CONNECTOR DIMENSIONS



SIDE VIEW FOR LAYOUTS: E A B C

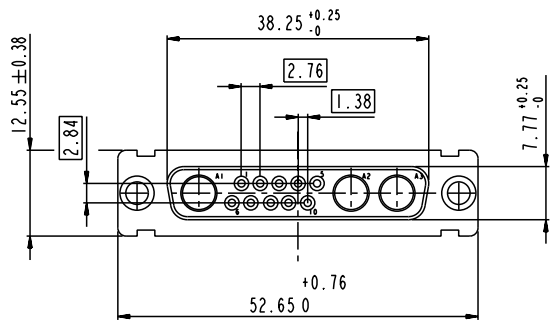
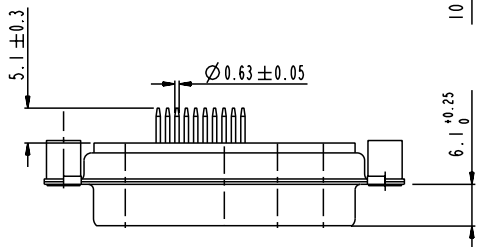
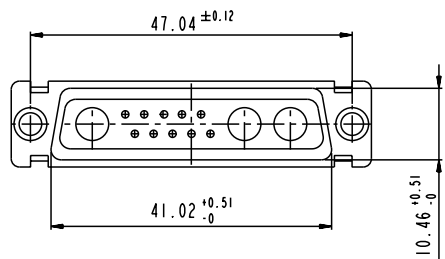
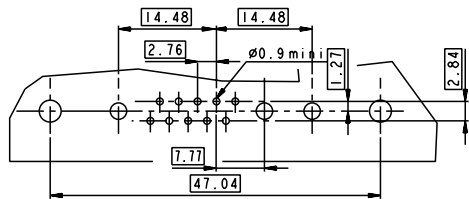


Copyright FCI.

www.fciconnect.com		surface ISO 1302	tolerance std ISO 406 ISO 1101	projection mm
		TOLERANCES UNLESS OTHERWISE SPECIFIED		
Dr M PESSON	11/10/05	0.X	±0.3	size A2
Eng 11/10/05	P LEGARE	ANGULAR	LINEAR	Scale 2:1
Chr		0.XX	±0.1	ECN LS07-0273
Appr		0.XXX	±0.05	Spec ref
Product family				
SUB FEMALE DMW		ang no	C01-8637-1682	
mixed power straight solder		Rev.	C	
catalog no		CUSTOMER	sheet 3 of 7	

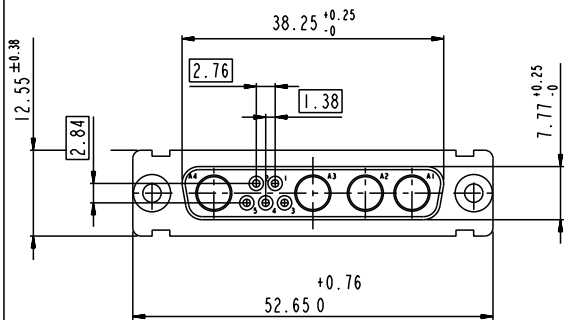
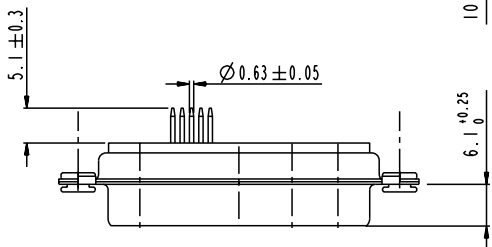
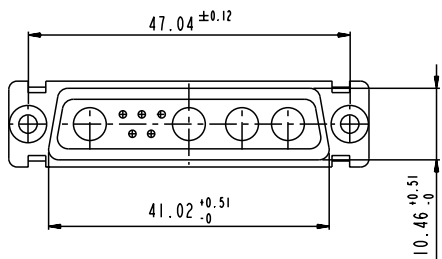
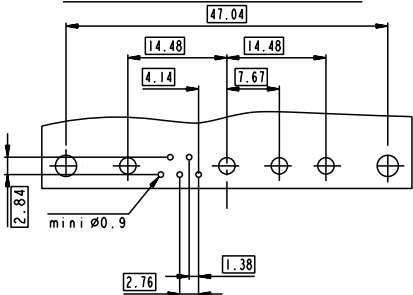
13W3

LAYOUT AND CONNECTOR DIMENSIONS



9W4

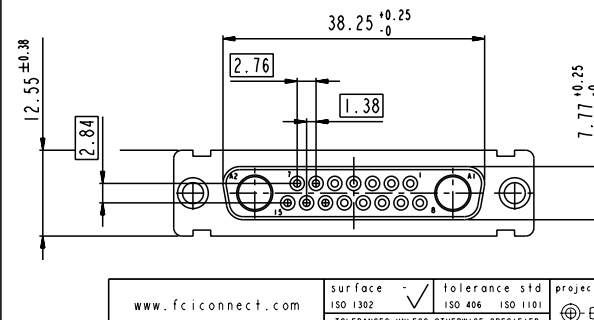
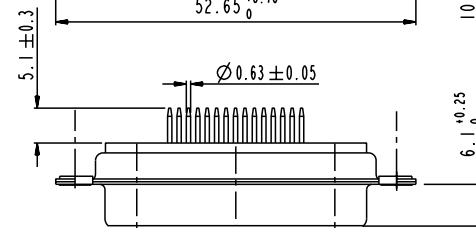
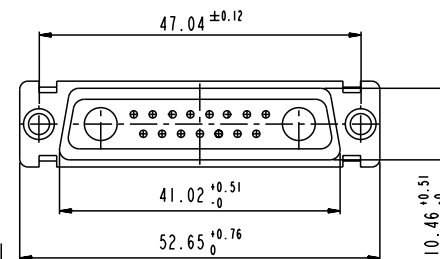
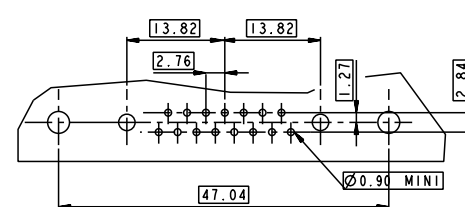
LAYOUT AND CONNECTOR DIMENSIONS



Floating signal contacts

17W2

LAYOUT AND CONNECTOR DIMENSIONS

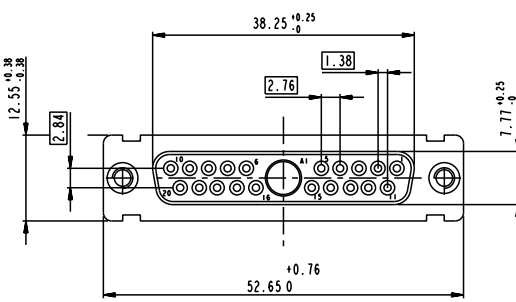
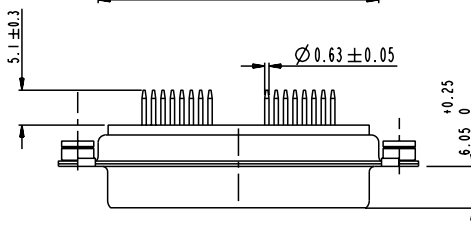
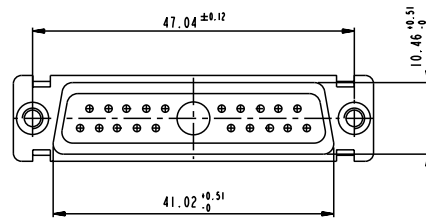
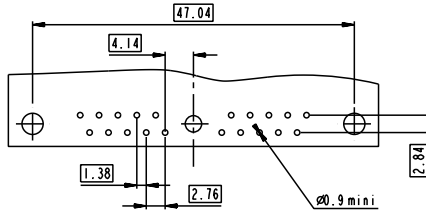


Copyright FCI

www.fciconnect.com		surface ISO 1302	tolerance std ISO 406 ISO 1101	projection mm
		TOLERANCES UNLESS OTHERWISE SPECIFIED		
Dr M PESSON	11/10/05	ANGULAR	0.X ±0.3	size A2 Scale 2:1
Eng 11/10/05	P LEGARE	LINEAR	0.XX ±0.1	ECN LS07-0273
Chr		0° ±2°	0.XXX ±0.05	Product family - Spec ref
Appr		Product family		
FCI		SUB FEMALE DMW		Rev. C
mixed power straight solder		C01-8637-1682		C
catalog no		CUSTOMER		sheet 4 of 7

21W1

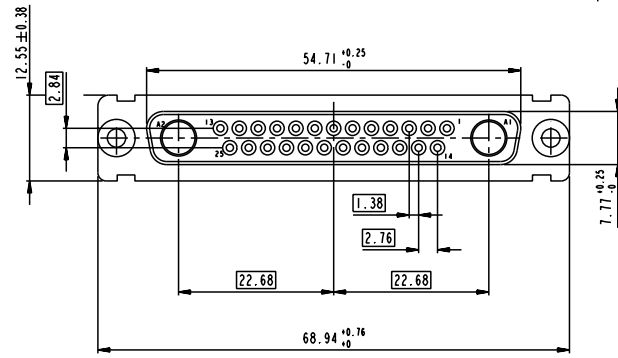
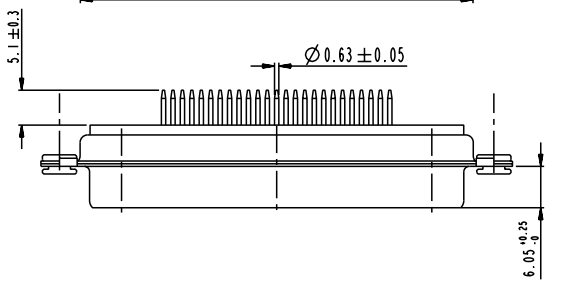
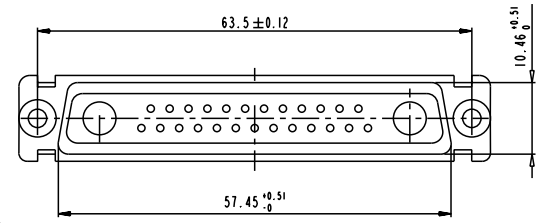
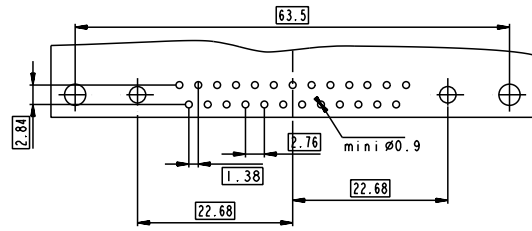
LAYOUT AND CONNECTOR DIMENSIONS



Floating signal contacts

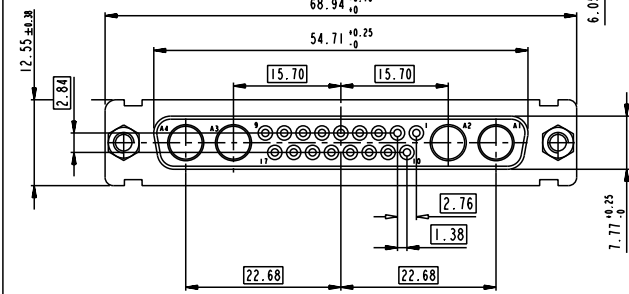
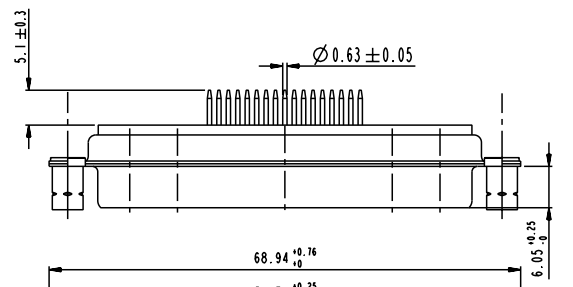
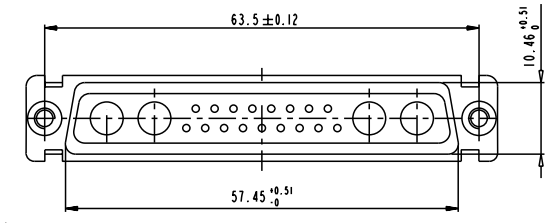
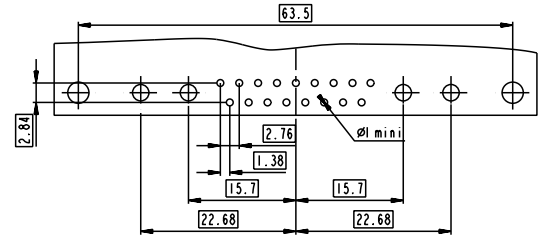
27W2

LAYOUT AND CONNECTOR DIMENSIONS



21WA4

LAYOUT AND CONNECTOR DIMENSIONS

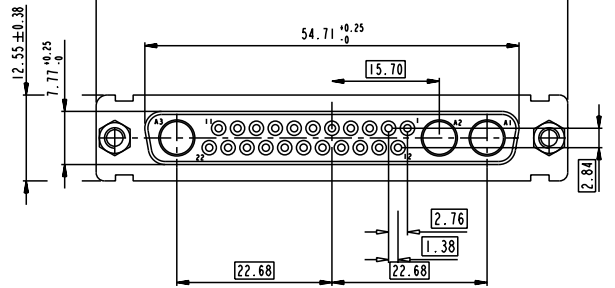
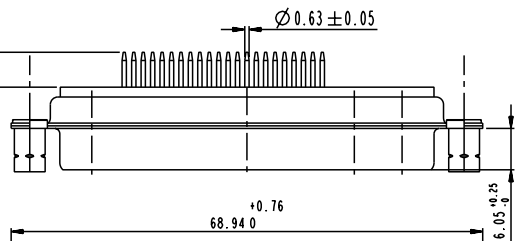
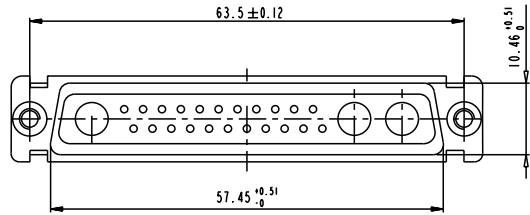
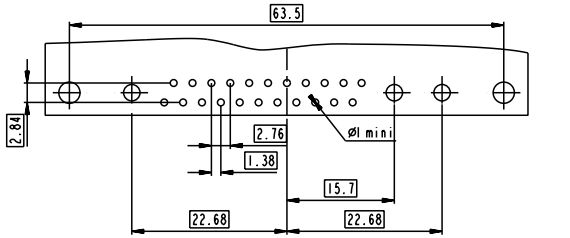


www.fciconnect.com		surface ISO 1302	tolerance std ISO 406 ISO 1101	projection mm
		TOLERANCES UNLESS OTHERWISE SPECIFIED		
Dr M PESSON	11/10/05	ANGULAR	0.X ±0.3	size A2 Scale 2:1
Eng 11/10/05	P LEGARE	LINEAR	0.XX ±0.1	ECN LS07-0273
Chr		0° ±2°	0.XXX ±0.05	Spec ref
Appr		Product family		
SUB FEMALE DMW mixed power straight solder catalog no		part no C01-8637-1682	Rev. C	sheet 5 of 7

Copyright FCI

25W3

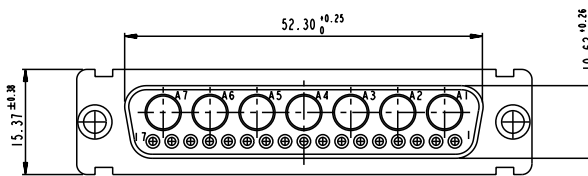
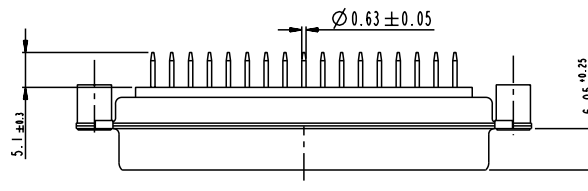
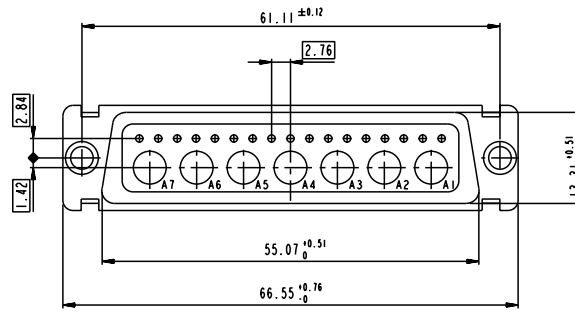
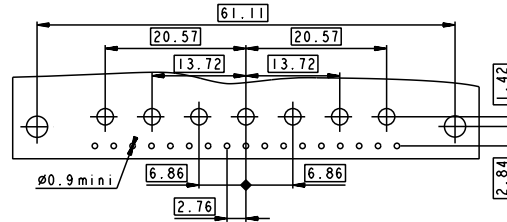
LAYOUT AND CONNECTOR DIMENSIONS



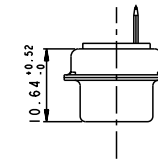
Floating signal contacts

24W7

LAYOUT AND CONNECTOR DIMENSIONS



SIDE VIEW FOR LAYOUTS: D

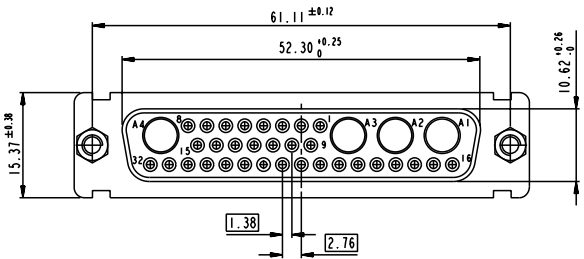
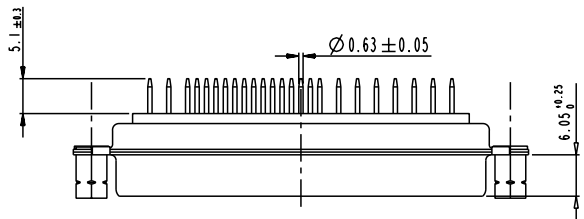
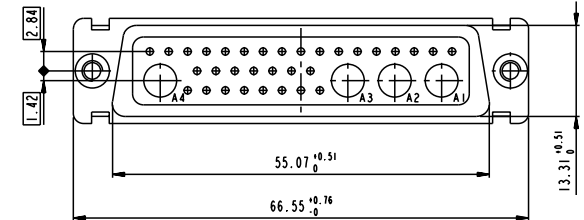
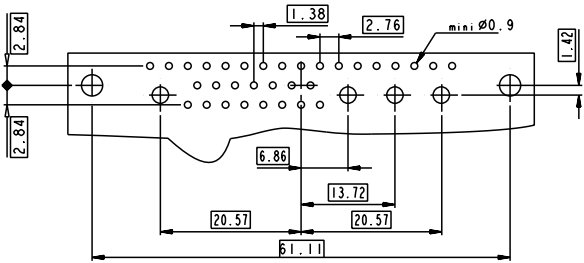


Copyright FCI.

www.fciconnect.com		surface ISO 1302	tolerance std ISO 406 ISO 1101	projection mm
		TOLERANCES UNLESS OTHERWISE SPECIFIED		
Dr M PESSON	11/10/05	ANGULAR	0.X ± 0.3	size A2 Scale 2:1
Eng 11/10/05	P LEGARE	LINEAR	0.XX ± 0.1	ECN LS07-0273
Chr		Ø ± 2°	0.XXX ± 0.05	Product family - Spec ref
FCI		SUB FEMALE DMW		Rev. C
mixed power straight solder		cat no	C01-8637-1682	sheet 6 of 7
CUSTOMER				

36W4

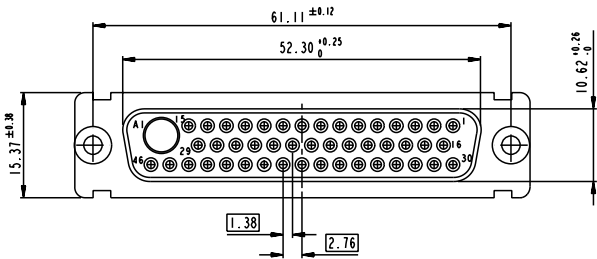
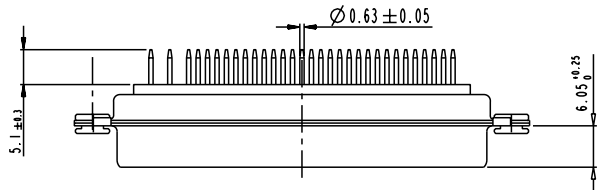
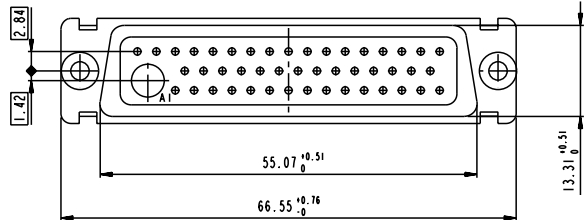
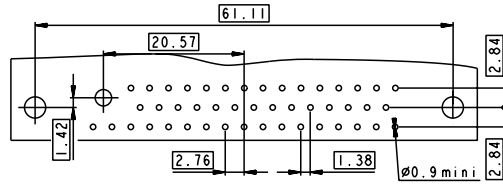
LAYOUT AND CONNECTOR DIMENSIONS



Floating signal contacts

47W1

LAYOUT AND CONNECTOR DIMENSIONS



Copyright FCI

www.fciconnect.com		surface ISO 1302	tolerance std ISO 406 ISO 1101	projection mm
		TOLERANCES UNLESS OTHERWISE SPECIFIED		
Dr M PESSON	11/10/05	ANGULAR	0.X ±0.3	size A2 Scale 2:1
Eng 11/10/05	P LEGARE	LINEAR	0.XX ±0.1	ECN LS07-0273
Chr		0° ±2°	0.XXX ±0.05	Product family - Spec ref
FCI		SUB FEMALE DMW		Rev. C
mixed power straight solder		cat no	C01-8637-1682	sheet 7 of 7
CUSTOMER				