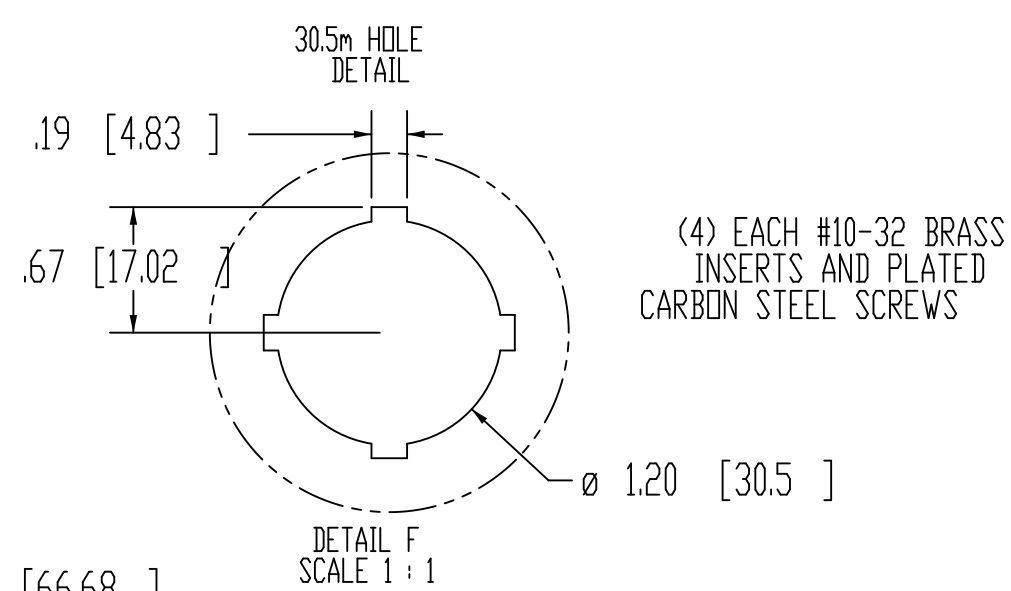
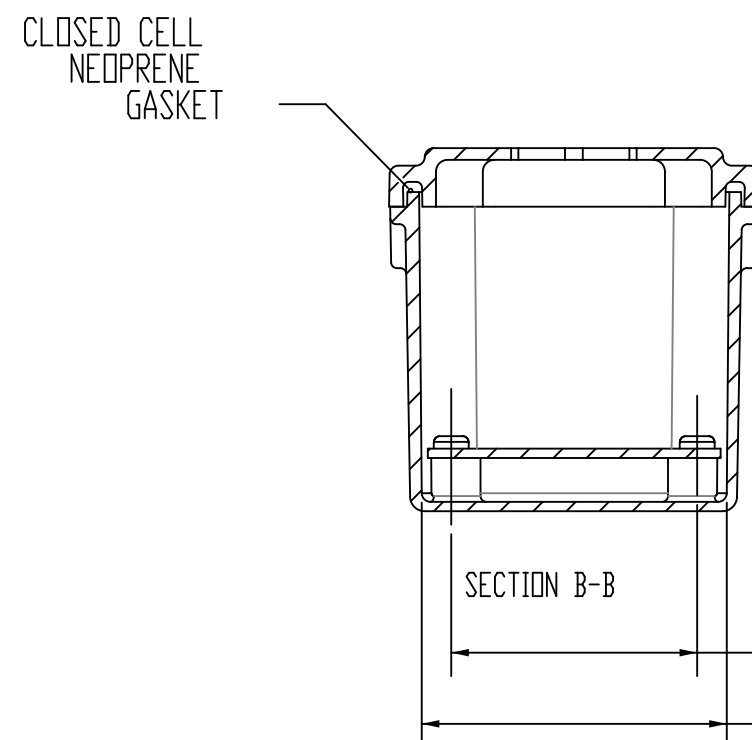
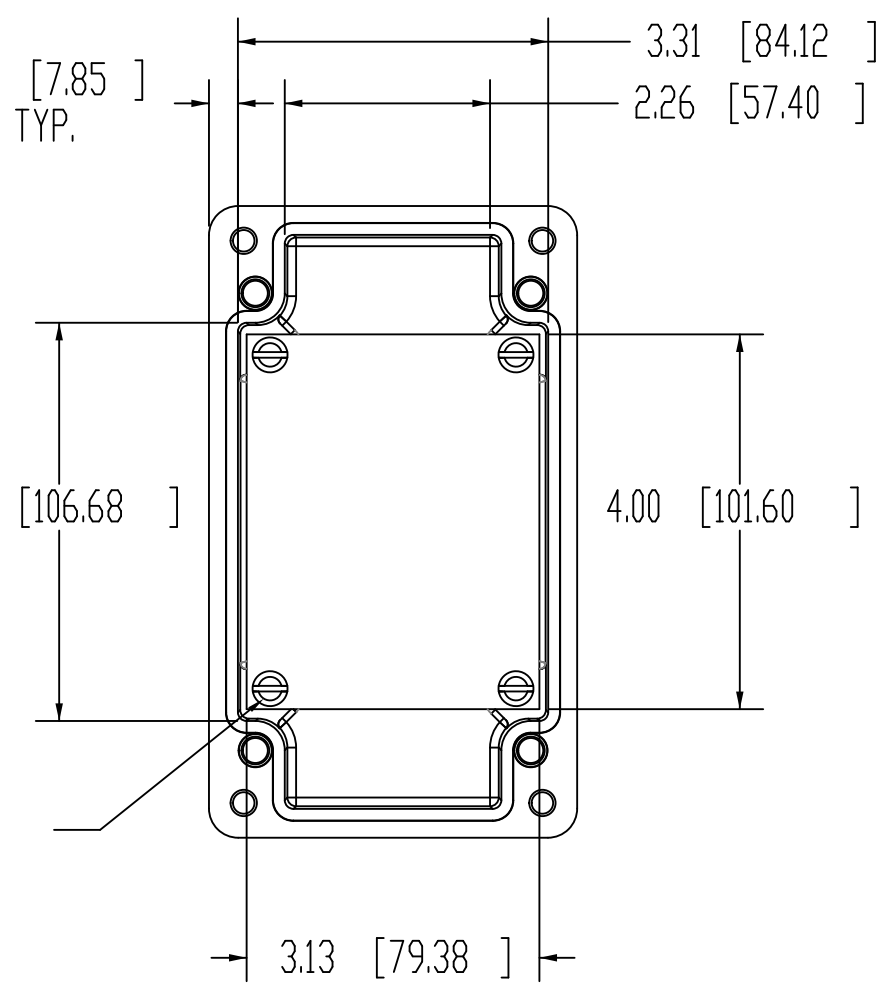
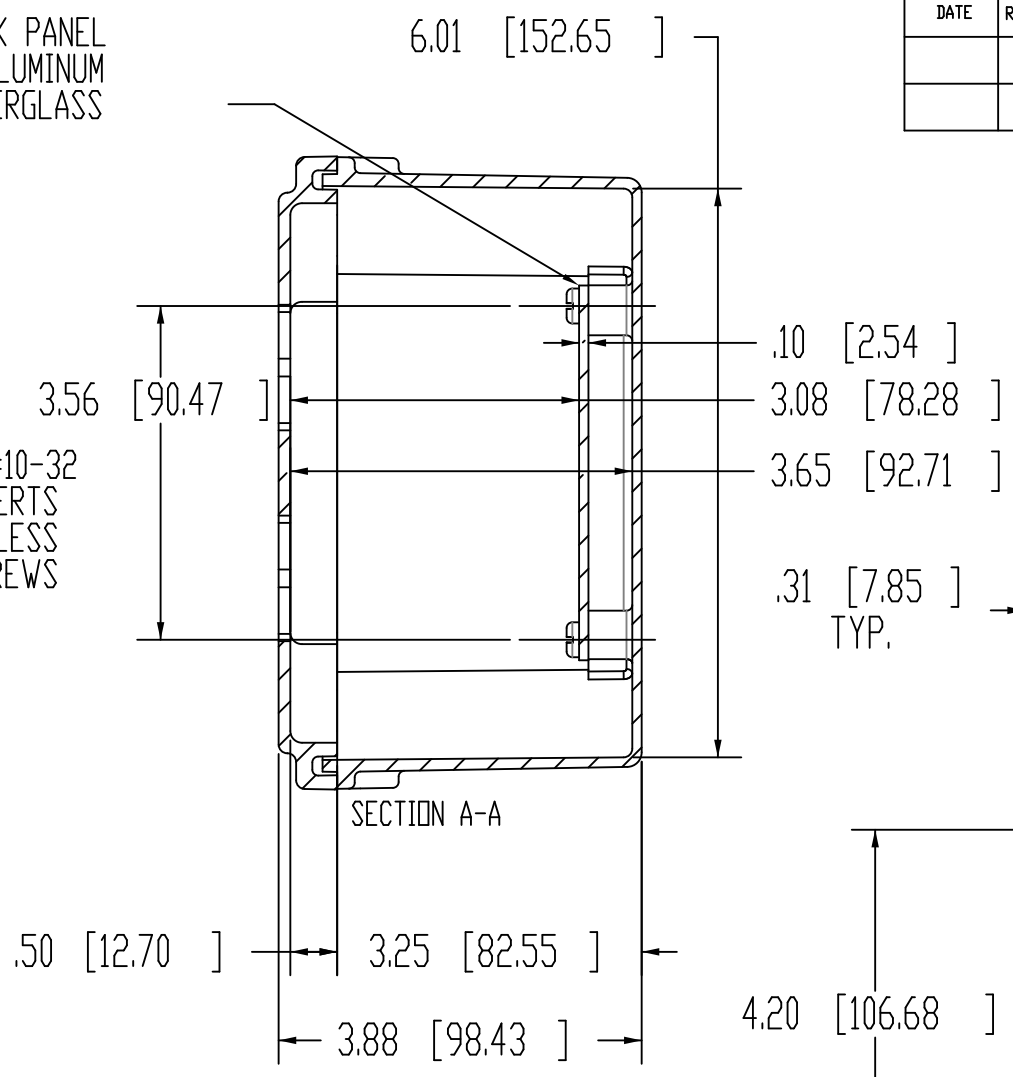
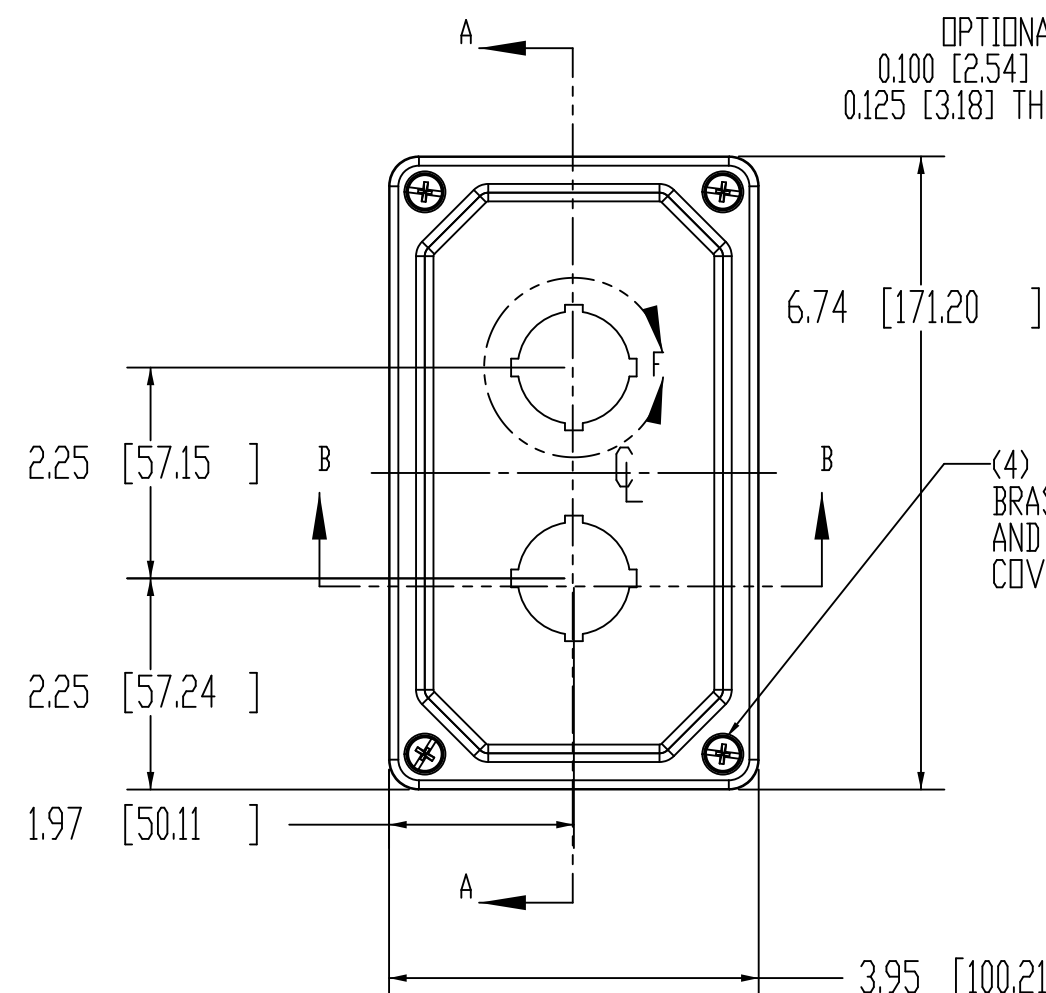
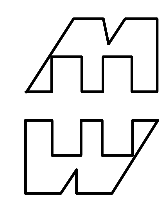


DATE	REV.	DESCRIPTION	DR	CK	REL

PART No. PJ744P2
 for more information visit
www.hammfg.com
 Data subject to change without notice
 Drawing Not to Scale