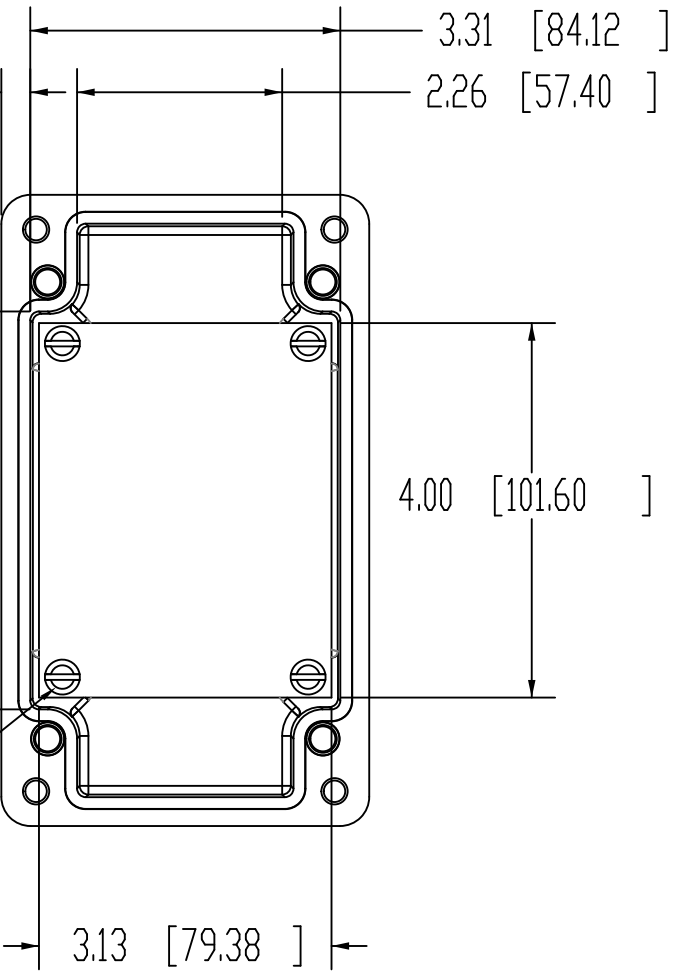
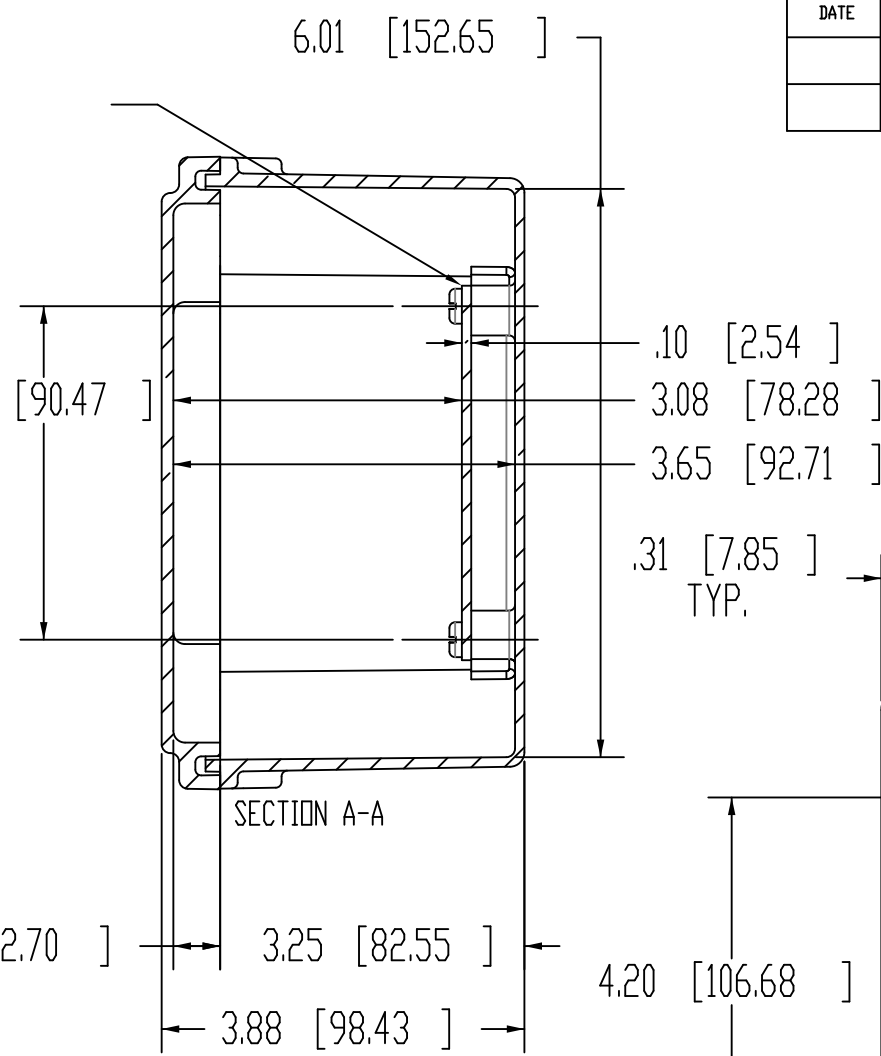
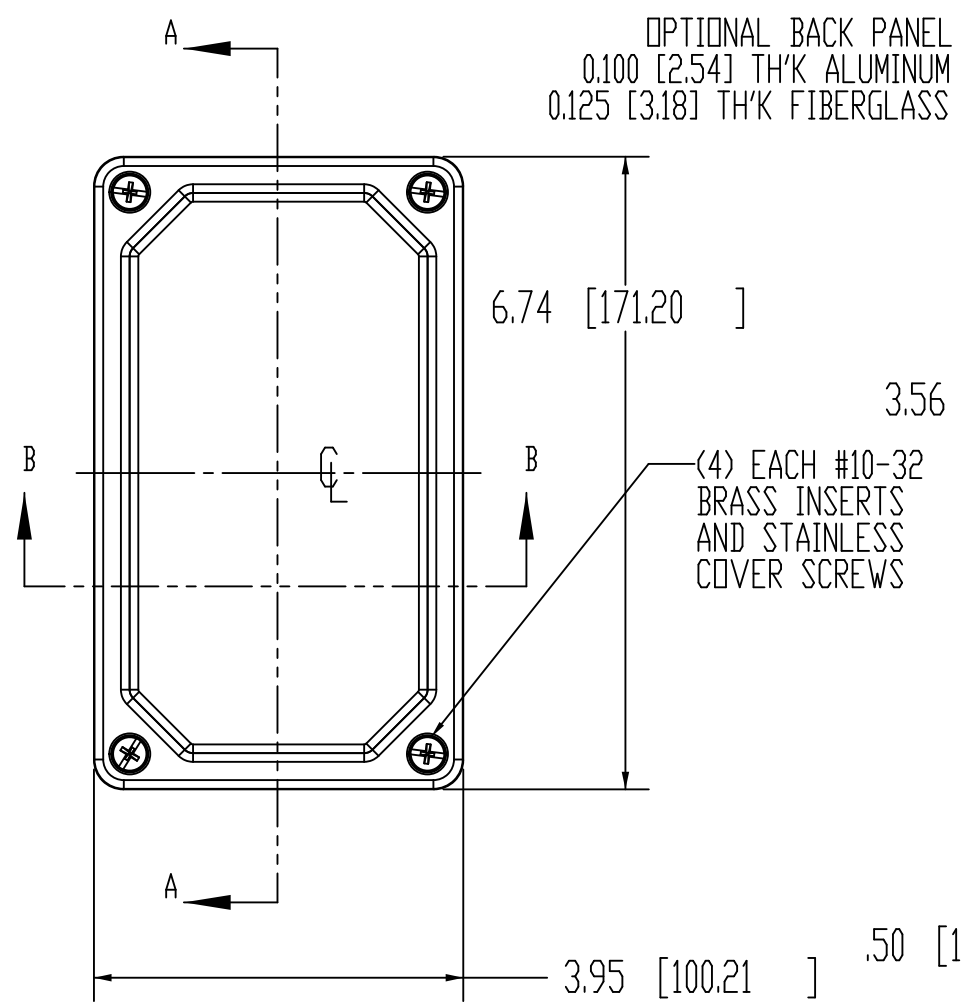
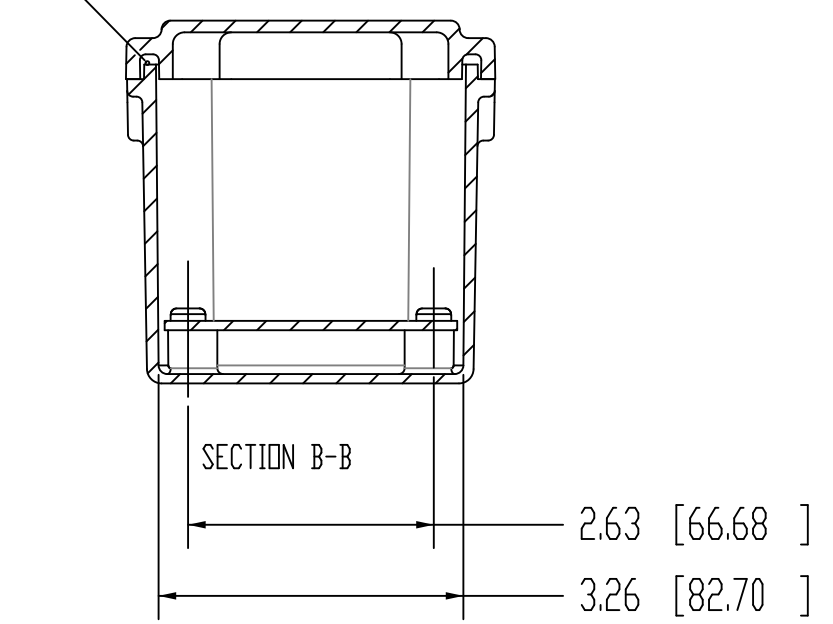


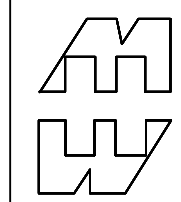
DATE	REV.	DESCRIPTION	DR	CK	REL



CLOSED CELL NEOPRENE GASKET



(4) EACH #10-32 BRASS INSERTS AND PLATED CARBON STEEL SCREWS



PART No. PJ744FS
 for more information visit
www.hammfg.com
 Data subject to change without notice
 Drawing Not to Scale