

Low Capacitance TVS Diode Array

APPLICATIONS

- ◆ USB 2.0 Power and Data Line Protection
- ◆ Video Graphics Cards
- ◆ Monitors and Flat Panel Displays
- ◆ Digit Video Interface (DVI)
- ◆ 10/100/1000 Ethernet
- ◆ Notebook Computers
- ◆ SIM Ports
- ◆ ATM Interfaces

IEC COMPATIBILITY

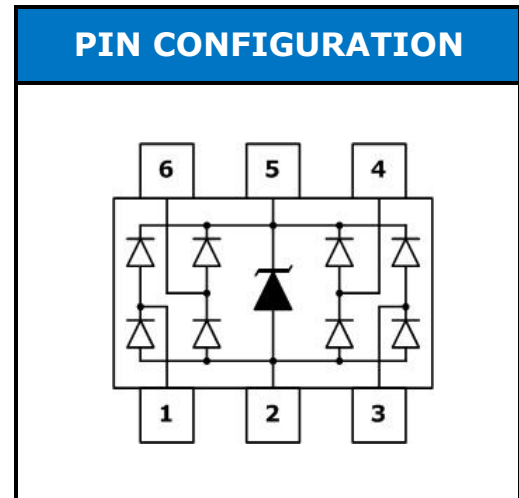
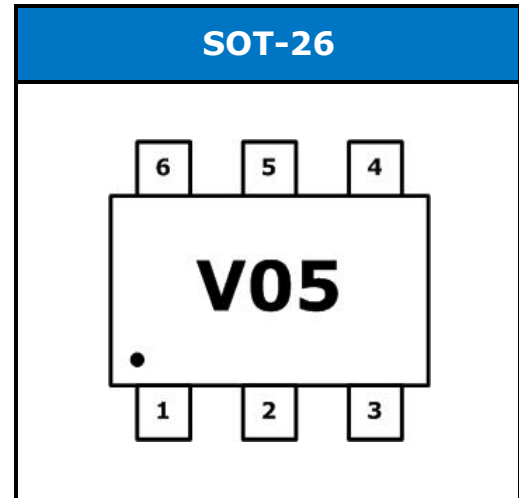
- ◆ IEC61000-4-2 (ESD) $\pm 15\text{kV}$ (air), $\pm 8\text{kV}$ (contact)
- ◆ IEC61000-4-4 (EFT) 40A (5/50 η s)

FEATURES

- ◆ 350 Watts Peak Pulse Power per Line ($t_p=8/20\mu\text{s}$)
- ◆ Protects four I/O lines
- ◆ Low clamping voltage
- ◆ Working voltages : 5V
- ◆ Low leakage current

MECHANICAL CHARACTERISTICS

- ◆ JEDEC SOT-26 Package
- ◆ Molding Compound Flammability Rating : UL 94V-0
- ◆ Weight 16 Milligrams (Approximate)
- ◆ Quantity Per Reel : 3,000pcs
- ◆ Reel Size : 7 inch
- ◆ Lead Finish : Lead Free



DEVICE CHARACTERISTICS

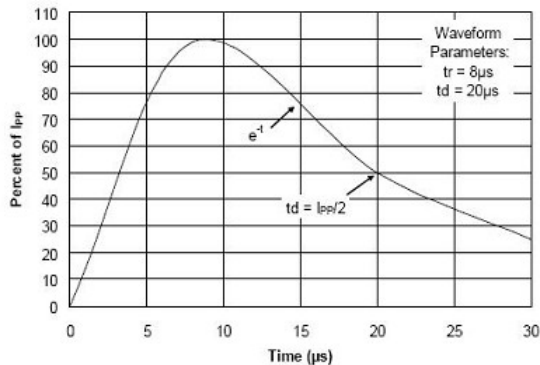
MAXIMUM RATINGS (@ 25°C Unless Otherwise Specified)

PARAMETER	SYMBOL	VALUE	UNITS
Lead Soldering Temperature	T_L	260 (10 sec.)	°C
Operating Temperature Range	T_J	-55 ~ 150	°C
Storage Temperature Range	T_{STG}	-55 ~ 150	°C

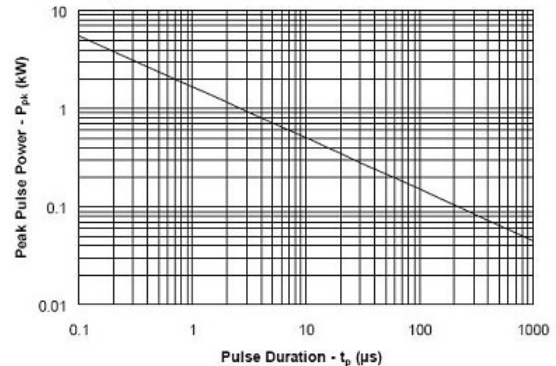
ELECTRICAL CHARACTERISTICS PER LINE (@ 25°C Unless Otherwise Specified)

PART NUMBER	DEVICE MARKING	V_{RWM} (V) (max.)	V_B (V) (min.)	I_T (mA)	V_C @1A (max.)	V_C (max.) (@A)	I_R (μ A) (max.)	C_T (pF) (max.)
TLSD05H4U	V05	5.0	6.0	1	9.8	11	2	3

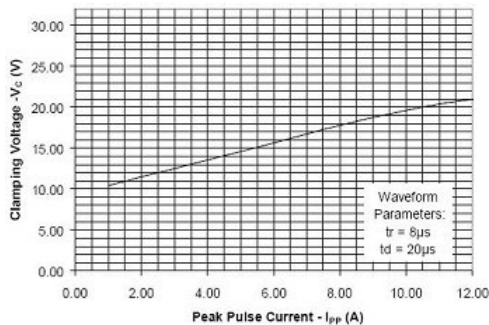
Pulse Waveform



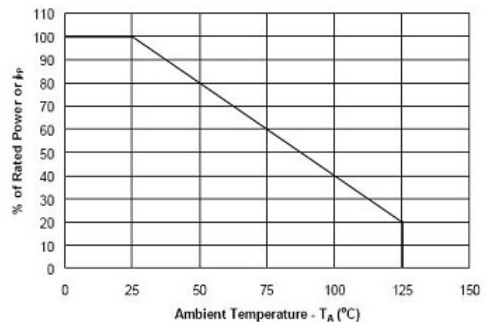
Non-Repetitive Peak Pulse Power vs. Pulse Time



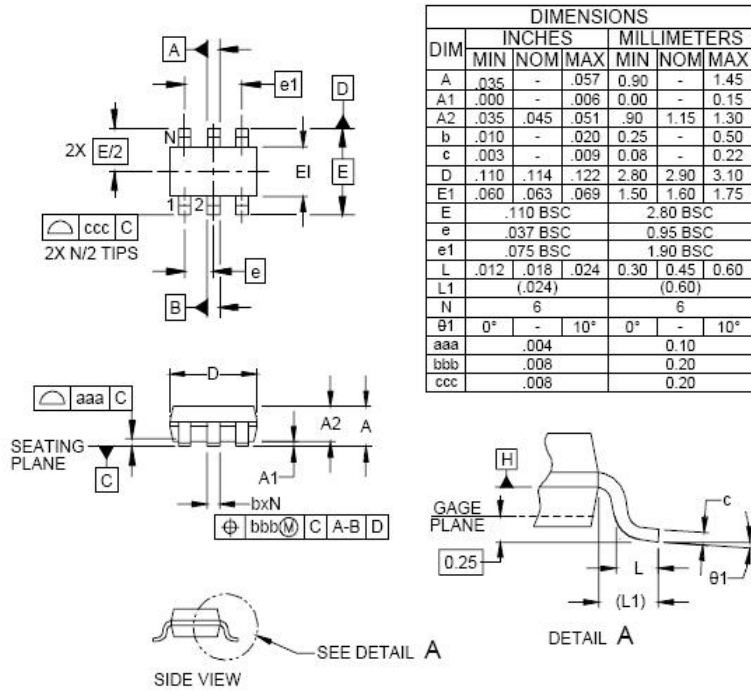
Clamping Voltage vs. Peak Pulse Current



Power Derating Curve



SOT-26 PACKAGE OUTLINE & DIMENSIONS



*** SOLDERING FOOTPRINT**

