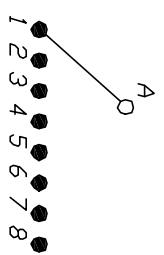
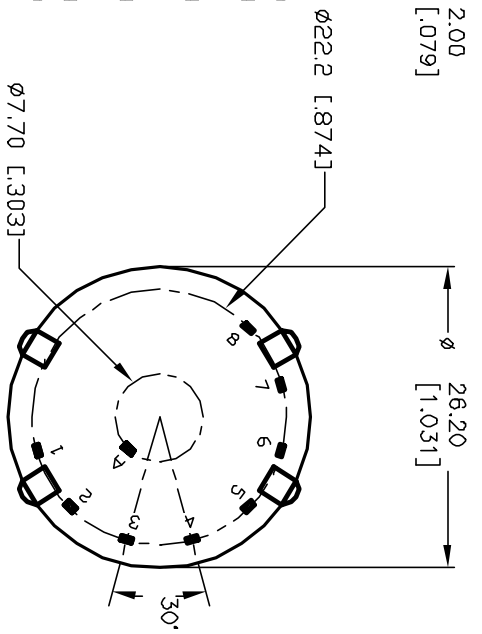
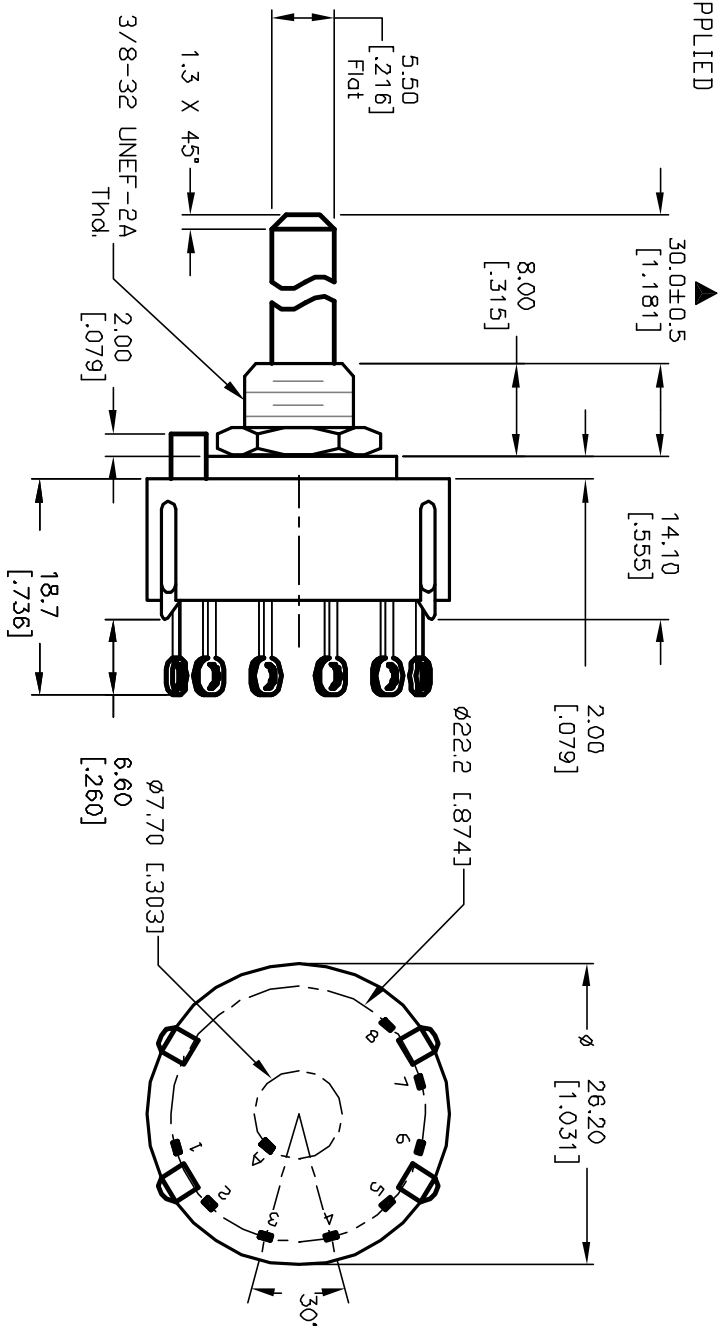
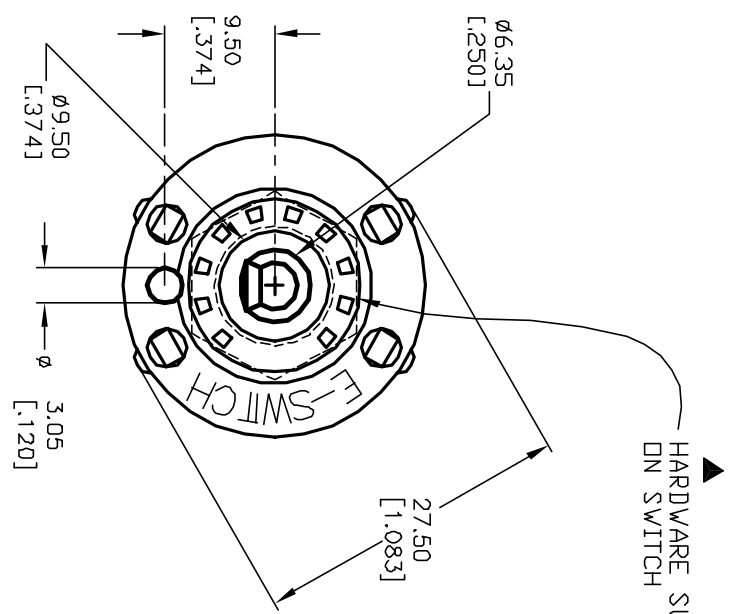
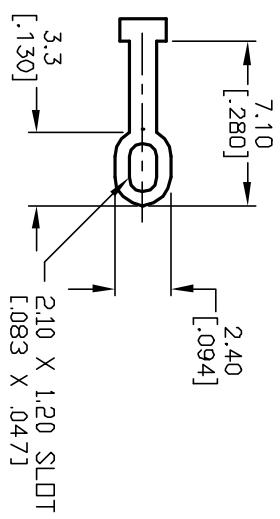


- NOTES:
1. ALL DIMENSION IN MM [INCH]
 2. GENERAL TOLERANCE: X.X=±0.4
X.XX=±0.25
 3. TERM. NOS. FOR REF. ONLY
 4. CONTACT RATING SWITCHING: 150mA, 250V AC/DC
350mA, 110V AC/DC
 5. OPERATING FORCE: 425±100 CM/STANDARD
 6. OPERATING TEMP: -30° to 85°C
 7. CIRCUIT SP: 8 POSITIONS, 30° INDEX.
 8. DIELECTRIC STRENGTH: 1000V RMS min.@Sea Level
 9. DESIGNATE MAJOR DIMENSIONS
 10. TIMING: BBM (Non-Shorting) Break Before Make.
 11. HARDWARE SUPPLIED ON SWITCH- SEE BELOW
STOP RING, LOCKWASHER, & HEXNUT



CONTACT CONFIGURATION
(SEE NOTE 10)



<p>E-SWITCH®</p>			<p>TITLE</p>		
<p>REV. 12821</p>			<p>2/28/03 CJB</p>		
<p>REV. 11512</p>			<p>5/30/01 CJB</p>		
<p>REV. ECN No.</p>			<p>DATE CHKD</p>		
<p>DESCRPTION</p>			<p>SCALE 1.5:1</p>		
<p>REV. 12821</p>			<p>DATE 5/30/01</p>		
<p>REV. 11512</p>			<p>DR CJB</p>		
<p>REV. ECN No.</p>			<p>DWG G530160</p>		
<p>THE INFORMATION CONTAINED IN THIS DOCUMENT IS PROPRIETARY TO E-SWITCH AND ITS NOT TO BE COPIED OR TRANSFERRED</p>			<p>REV B</p>		