



Model No.	RGB Flashing Controller-FSB2TS
REV.	C3

PRODUCT SPECIFICATION FOR **LED Ribbon Light**

Descriptions:

- Linear separable LED strip on flexible printed circuit board with self-adhesive back
- Long life, easy Installation
- Voltages available 12VDC, IP65.
- LED type SMD 5050

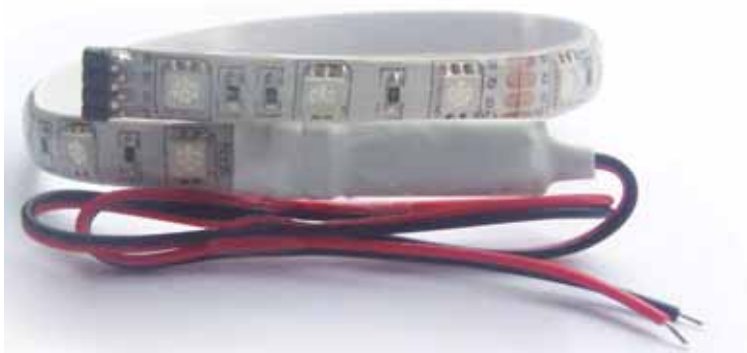
Features:

- Available in red, green, blue,
- Directly use on line voltage
- Low power consumption, high intensity
- Energy saving
- Excellent beam control
- Long life
- RGB flashing light Controller PCBA
- Use 366F LED Controller
- Driving R, G, B LED to flash
- Four sequential flashing mode
- 12 seconds flashing cycle

Application:

- Auto lighting
- Channel letter signs
- Indirect accent décor light
- Large area back lighting
- Under counter light
- Decorate building's contour
- Substitute neon light

Product Picture:





Model No.	RGB Flashing Controller-FSB2TS
REV.	C3

Device Selection Guide

Module No.	Color	Dom. Wavelength (Typ.)	Intensity / Per LED (Typ.)
OSTCDBS4C1A	Red	625±5nm	750mcd
	Green	525±5nm	1120mcd
	Blue	470±5nm	400mcd

Absolute Maximum Ratings(Ta=25)

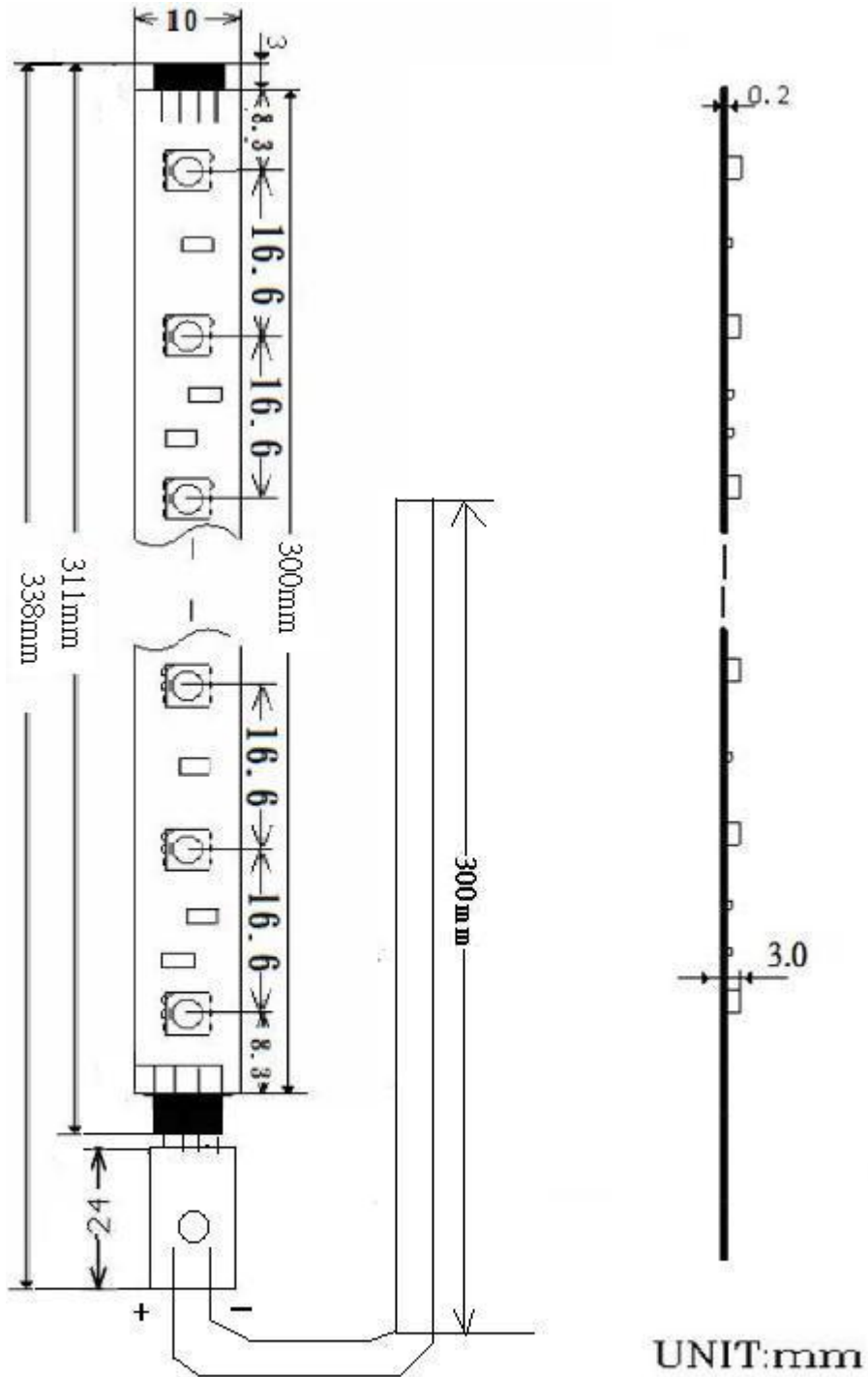
Items	Symbol	Values	Units
Operating Supply Range(DC)	V _{dc}	14	V
Input Current (DC)	I _i	0.4	A
Power Dissipation	P _a	5.6	W
LED Light Source Temperature	T _{led}	105	DegC
Operating Temperature	T _{ope}	-10 ~ +40	DegC
Storage Temperature	T _{sto}	-20 ~ +80	DegC

Typical Performance (Ta=25)

Items	Symbol	Min.	Typ.	Max.	Units
RGB Flashing Controller and strip light Input Voltage(DC)	V _i		12	14	V
RGB Flashing Controller and strip light Product Input Current	I _f		0.3	0.4	A
RGB Flashing Controller and strip light Module Power	P _m		3.6	5.6	W
Beam Pattern	BP	-	120	-	Deg
Power Dissipation	P _D		120		mW
LED Quantity	OTY	-	18	-	PCS
Total Length of Modules (Including Pin)	L _{mod.}	-	338	-	mm
Net Weight	Wei.	---	17	---	g

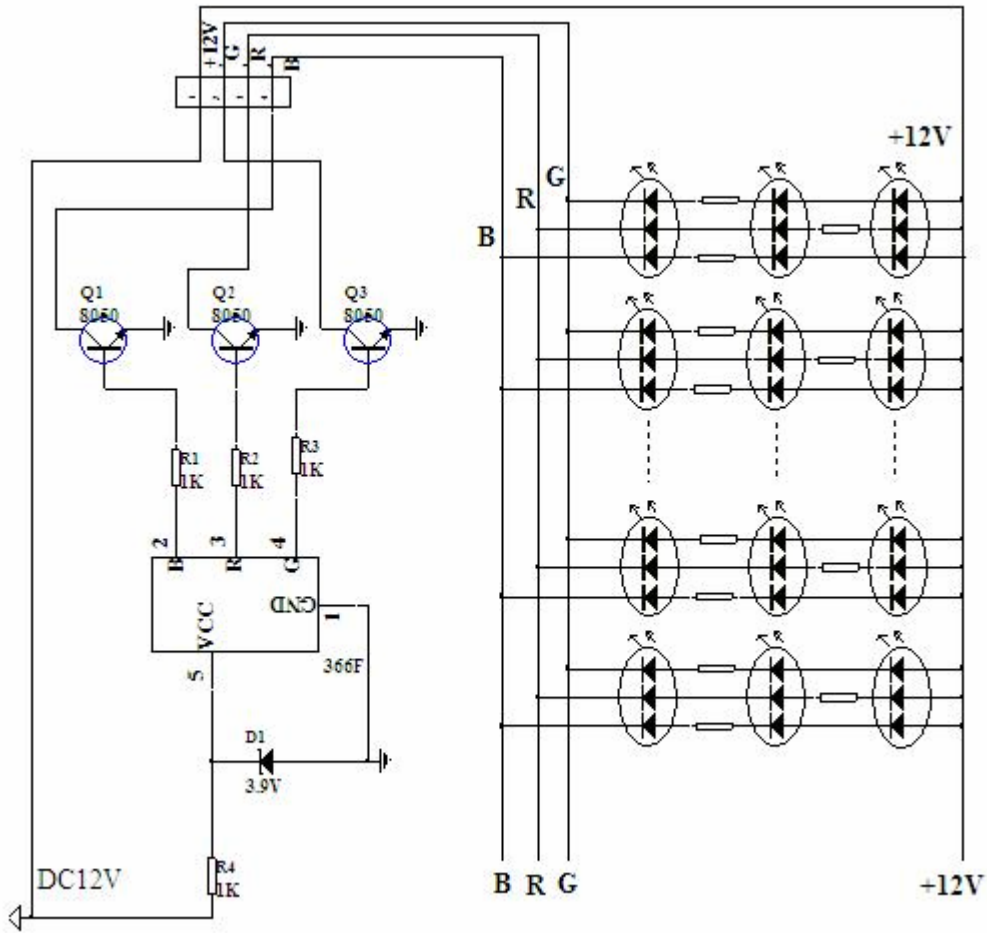
Model No.	RGB Flashing Controller-FSB2TS
REV.	C3

Product Dimensions:



Model No.	RGB Flashing Controller-FSB2TS
REV.	C3

Product Circuit:





Model No.	RGB Flashing Controller-FSB2TS
REV.	C3

Packing information:

Box Dimensions
Unit: mm

