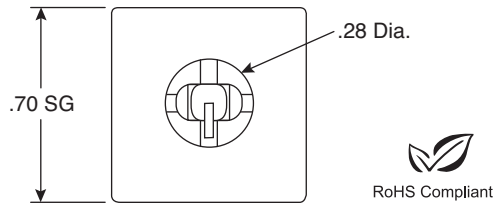
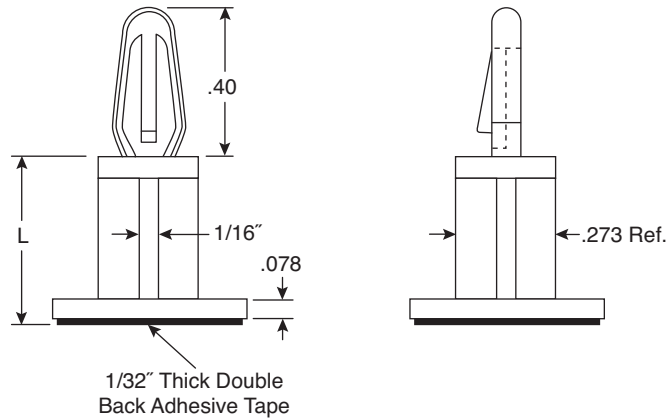


### Locking PCB Supp Adhesive Base



Fits Recommended Hole Size of  $.156$  - Panel Thickness  $1/16''$

MOUSER STOCK NO.	Description	L
561-LAD187	LAD 187	0.187 (+/-0.005)
561-LAD250	LAD 250	0.250 (+/-0.005)
561-LAD375	LAD 375	0.375 (+/-0.005)
561-LAD500	LAD 500	0.500 (+/-0.005)
561-LAD625	LAD 625	0.625 (+/-0.005)
561-LAD750	LAD 750	0.750 (+/-0.008)
561-LAD1000	LAD 1000	0.1000 (+/-0.008)

### Dimensions: (in.)

DESCRIPTION
• Molded in natural nylon 6/6

Adhesive Temp. Resistance
• Short term - 180°F
• Long term - 158°F

Available from Mouser Electronics  
1-800-346-6873  
www.mouser.com

EPD-200767

# Mouser Electronics

Authorized Distributor

Click to View Pricing, Inventory, Delivery & Lifecycle Information:

[Eagle Plastic Devices:](#)

[561-LAD500](#) [561-LAD187](#) [561-LAD625](#) [561-LAD375](#) [561-LAD1000](#) [561-LAD250](#) [561-LAD750](#)