

## VESA DCC COMPATIBLE CONNECTOR



LR49571 E60980

### PHYSICAL PROPERTIES

INSULATOR BODY: Glass filled polyester

UL rating 94V-0

COLOR: Blue

CONTACT: High strength copper alloy

CONTACT PLATING: 50 microinches nickel underplate

with 30 microinches gold in the mating area, 100

microinch minimum tin/lead on tails

METAL SHELL: Steel, bright tin plate

### ELECTRICAL PROPERTIES

OPERATING VOLTAGE: 600 VDC (sea level)

CURRENT RATING: 5 amps

CONTACT RESISTANCE: 10 milliohms max

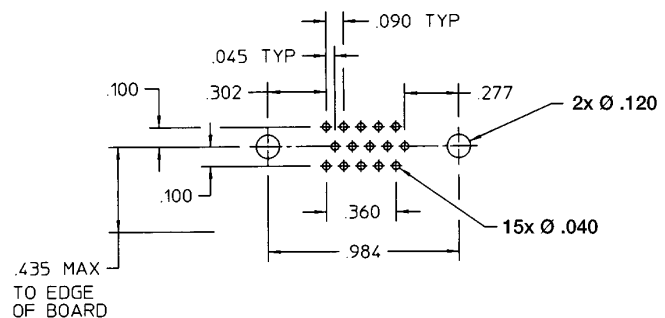
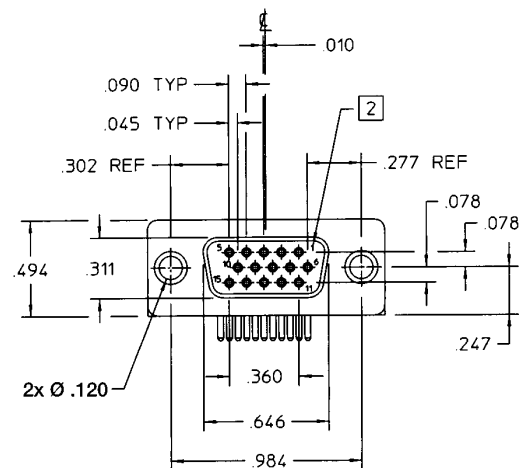
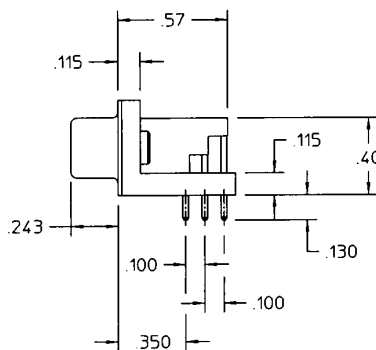
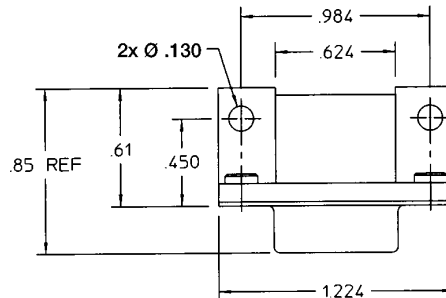
@ rated current

INSULATION RESISTANCE: 5000 megohms minimum

DIELECTRIC WITHSTANDING VOLTAGE: 1000 VAC minimum

### ENVIRONMENTAL PROPERTIES

OPERATING TEMPERATURE: -55°C to 125°C



### Ordering Information

BULKHEAD MOUNTING STYLE	CONTACT PLATING: 30 MICROINCH GOLD			CONTACT PLATING: GOLD FLASH		
	.125" THRU	PLASTIC SNAPLATCH	METAL SNAPLATCH	.125" THRU	PLASTIC SNAPLATCH	METAL SNAPLATCH
125" Thru Hole	HDR15RA29AM514	HDR15RA29APM514	HDR15RA29ASM514	HDR15RA24AM514	HDR15RA24APM514	HDR15RA24ASM514
4-40 Standoff	HDR15RA29BM514	HDR15RA29BPM514	HDR15RA29BSM514	HDR15RA24BM514	HDR15RA24BPM514	HDR15RA24BSM514
4-40 Flush	HDR15RA29CM514	HDR15RA29CPM514	HDR15RA29CSM514	HDR15RA24CM514	HDR15RA24CPM514	HDR15RA24CSM514