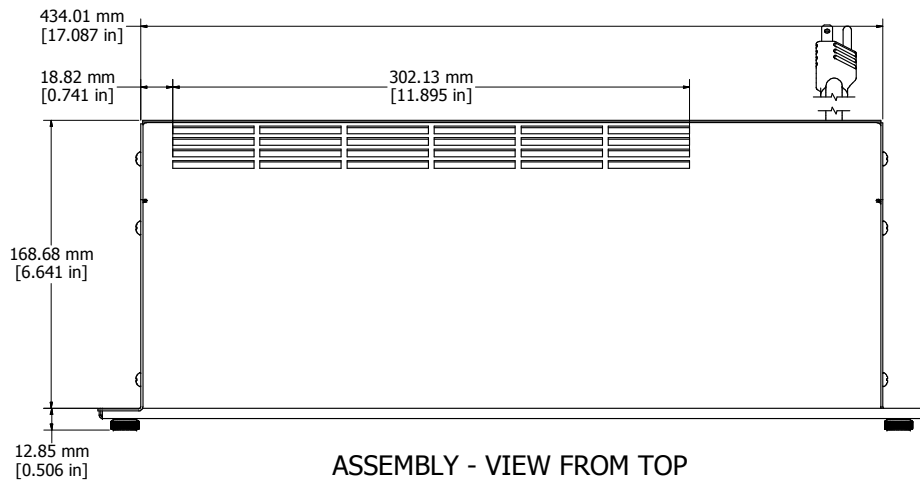
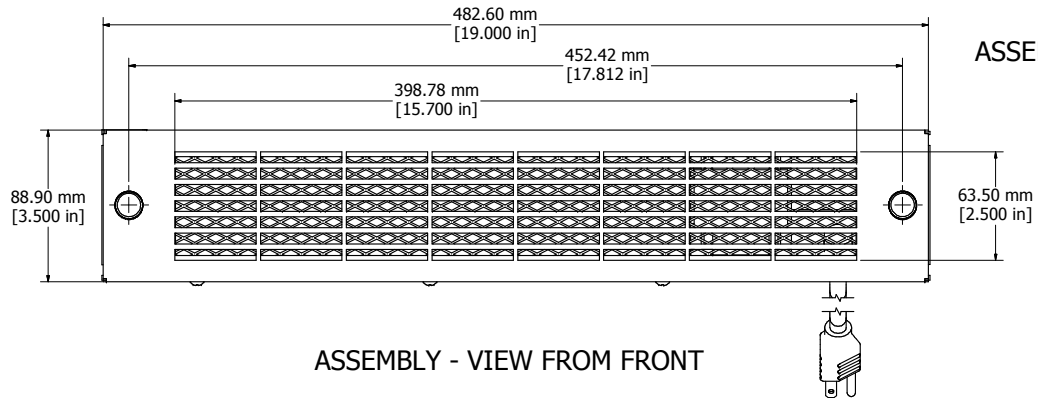


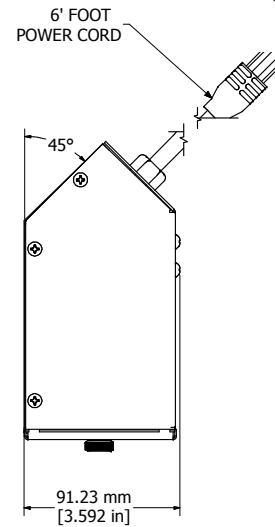
ASSEMBLY - VIEW FROM BACK



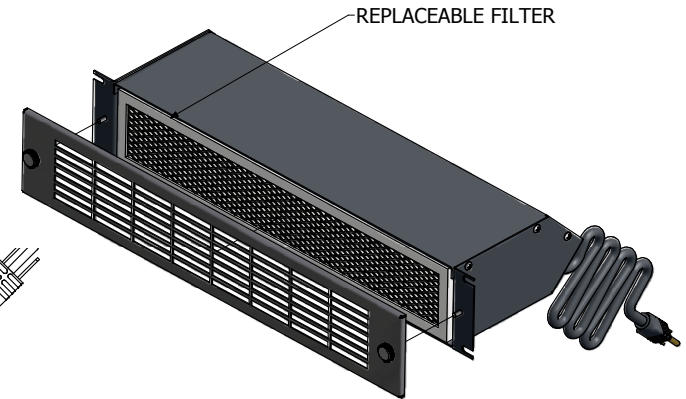
ASSEMBLY - VIEW FROM TOP




ASSEMBLY - VIEW FROM FRONT



ASSEMBLY VIEW FROM SIDE



ISOMETRIC VIEW

HB2160A	
Finish - Front Screen - Polished Stainless Steel	
- Case - Painted Black Steel	
115 VAC, 50/60 Hz, 0.7 Amps, 145/125 CFM	
Motor - UL Recognized, CSA Certified, Ball Bearing Type	
ACCESSORIES	
Replacement Filter - HB2UFILTER (Package of 5)	
	HAMMOND MANUFACTURING™
HB2160A	
www.hammondmfg.com	