

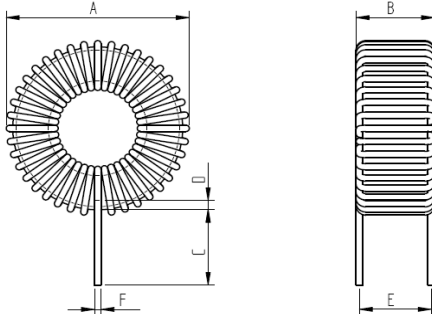
# Spezifikation für Freigabe / specification for release

Kunde / customer :  
 Artikelnummer / part number : **744138**  
 Bezeichnung : **SPEICHERDROSSEL WE-SI**  
 description : **TOROIDAL LINE CHOKE WE-SI**



DATUM / DATE : 2009-12-01

## A Mechanische Abmessungen / dimensions:



A	<b>42,0 max</b>	mm
B	<b>15,0 max</b>	mm
C	<b>12,0 ± 1,0</b>	mm
D	<b>1,0 min</b>	mm
E	<b>13,0 ± 1,5</b>	mm
F	<b>ø 0,7 ref</b>	mm

## B Elektrische Eigenschaften / electrical properties:

Eigenschaften / properties	Testbedingungen / test conditions		Wert / value	Einheit / unit	tol.
Leerlauf-Induktivität / inductance	<b>10 kHz / 5mA</b>	L <sub>O</sub>	<b>727,0</b>	μH	<b>±20%</b>
Nenn-Induktivität / nominal inductance	<b>10 kHz/5mA/IN</b>	L <sub>N</sub>	<b>470,0</b>	μH	<b>±10%</b>
DC-Widerstand / DC-resistance		R <sub>DC</sub>	<b>0,2400</b>	Ω	<b>max.</b>
Nennstrom / nominal current		I <sub>N</sub>	<b>3,0</b>	A	

## C Lötpad / soldering spec.:

## D Prüfgeräte / test equipment:

**Wayne Kerr 3260B** für/for L<sub>0</sub>  
**GMC Metrahit 271 Milliohmmer** für/for R<sub>DC</sub>  
**Fluke 54II Thermometer** für/for I<sub>DC</sub>

## E Testbedingungen / test conditions:

Luftfeuchtigkeit / humidity: 33%  
 Umgebungstemperatur / temperature: +20°C

## F Werkstoffe & Zulassungen / material & approvals:

Basismaterial / base material: Ferrit / ferrite 3 W 7538  
 Draht / wire: 2 UEW; 130°C

## G Eigenschaften / general specifications:

Betriebstemp. / operating temperature -25°C - + 85°C

Freigabe erteilt / general release:	<b>Kunde / customer</b>			
Datum / date	Unterschrift / signature			
	<b>Würth Elektronik</b>	CZ	Version 4	2009-12-01
		CZ	Version 3	2009-07-22
		MST	Version 1	2004-10-11
Geprüft / checked	Kontrolliert / approved	Name	<b>Änderung / modification</b>	Datum / date

This electronic component has been designed and developed for usage in general electronic equipment. Before incorporating this component into any equipment where higher safety and reliability is especially required or if there is the possibility of direct damage or injury to human body, for example in the range of aerospace, aviation, nuclear control, submarine, transportation, (automotive control, train control, ship control), transportation signal, disaster prevention, medical, public information network etc, Würth Elektronik eiSos GmbH must be informed before the design-in stage. In addition, sufficient reliability evaluation checks for safety must be performed on every electronic component which is used in electrical circuits that require high safety and reliability functions or performance.

### Würth Elektronik eiSos GmbH & Co. KG

D-74638 Waldenburg · Max-Eyth-Strasse 1 - 3 · Germany · Telefon (+49) (0) 7942 - 945 - 0 · Telefax (+49) (0) 7942 - 945 - 400  
<http://www.we-online.com>