

2.5mm Dia. Jack, SA Series

Features

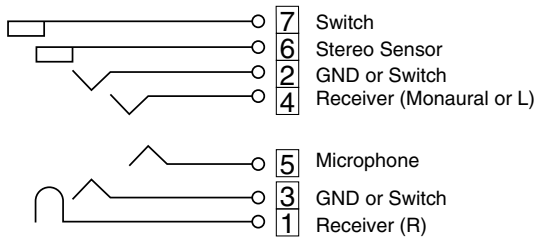
1. A 2.5 mm dia. multi-pole jack developed for small portable equipment.
2. Usable in both hands-free operation and stereo music listening, and well operable.
3. Compatibly usable in place of previously available 3P and 4P products.
4. A structure (make-switch) allowing for direct contact of switch terminals with the plug, with the switch terminals sensing detection of a plug, and thus, enhanced reliability in contact performance.
5. Model LGY1508-0101F is the world shortest 3.6 mm and narrowest 6.6 mm, an excellent choice when designing smaller information terminal equipment.
6. A sufficiently long 10,000-cycle life to meet requirements for increased insertion/ withdrawal times of earphones.

Applications

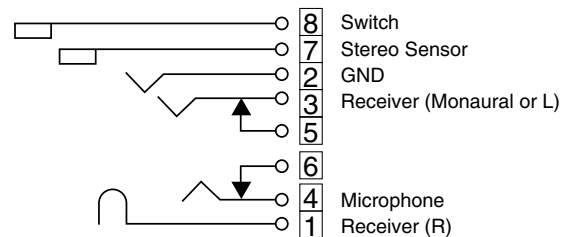
Cell phones, PHS phones, PDA equipment, digital still cameras, etc.

6 POLE Jack Application Example

- LGK1508-0101F
- LGK1708-0201F
- LGK2308-0301F

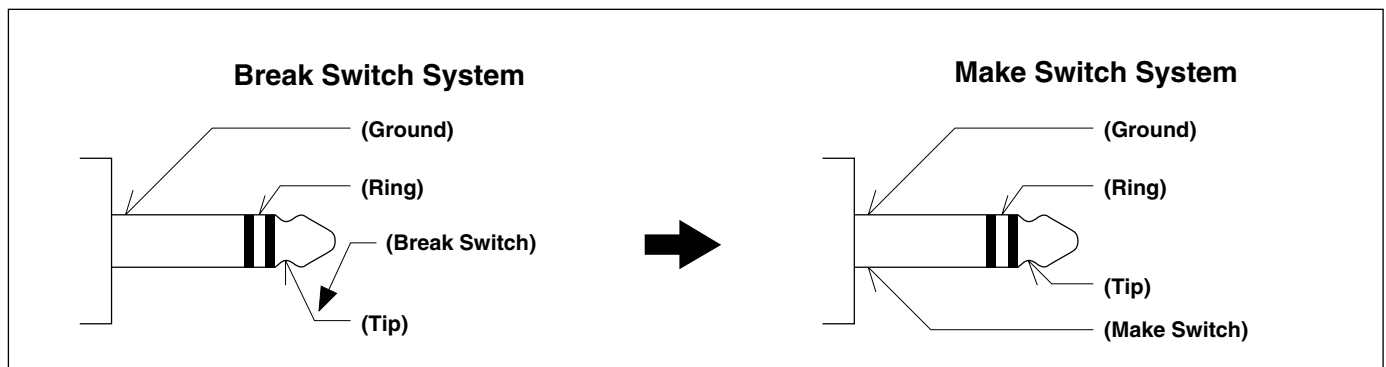


- LGK2309-0101


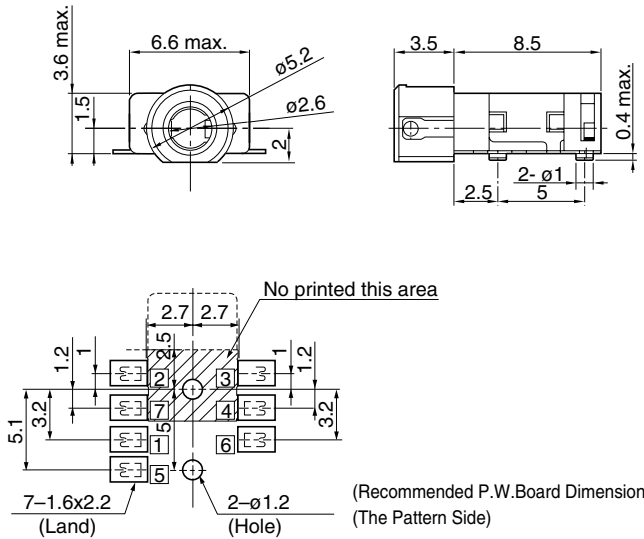
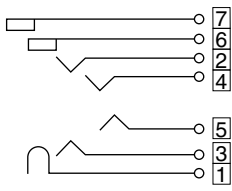

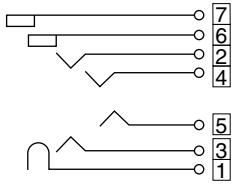
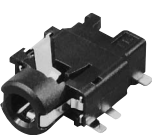
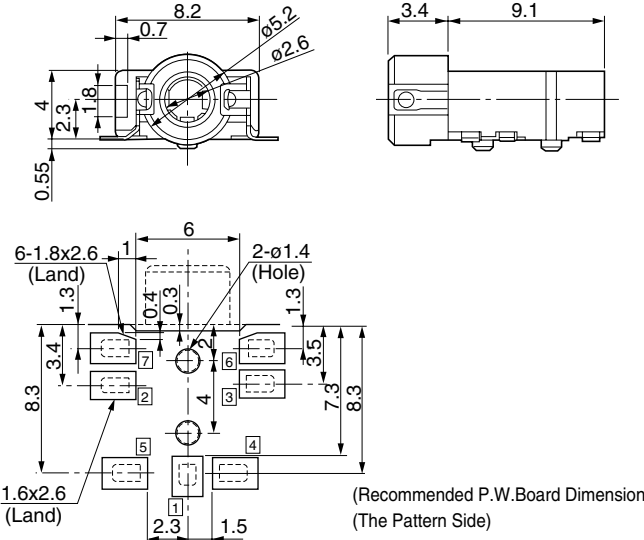
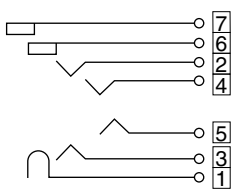


Detection Method of Plug Insertion

- For detection of plug insertion, the type M mini jack, a “make” system product, is now available, in addition to the previously marketed “break” system mini jack (type B). Upon insertion of a plug, the “make” switch terminal comes into contact with the ground terminal of the jack via the ground section of the plug (On to OFF function). Thus, all terminals will come into contact with the plug for elevated reliability in contact (a self-cleaning effect).


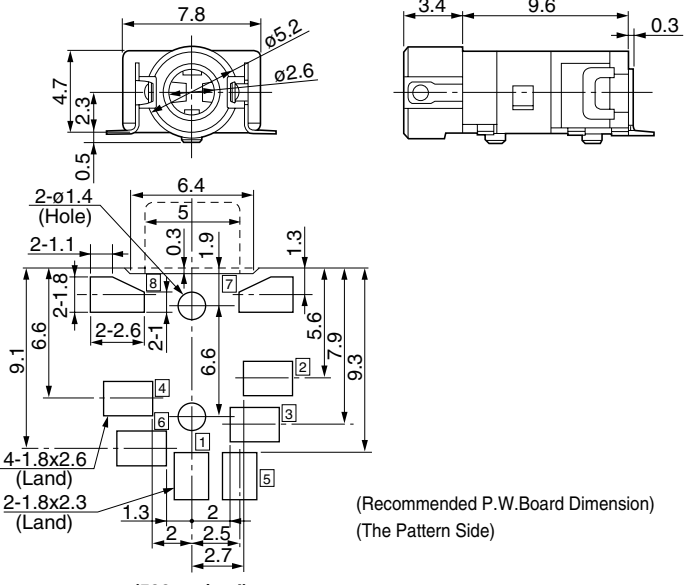
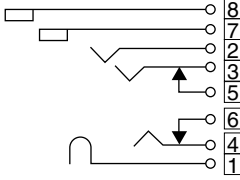


2.5mm Dia. Jack, SA Series


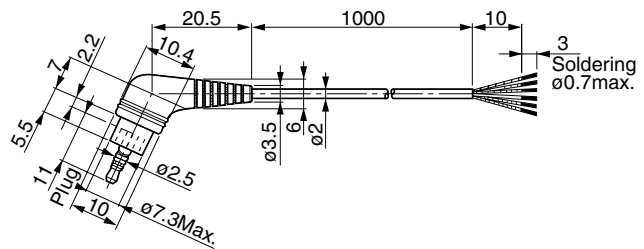
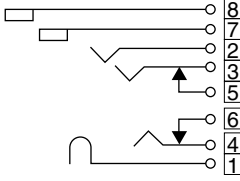
| | | |
|---|---|---|
| <p>LGK1508-0101F (6 POLE)</p>  <p>Type-M</p> |  <p>(500pcs/reel)</p> | <p>Circuits</p>  |
| <p>SMD Type</p> | <p>LGK1708-0201F (6 POLE)</p>  <p>Type-M</p> | <p>Circuits</p>  |
| <p>LGK2308-0301F (6 POLE)</p>  <p>Type-M</p> |  <p>(500pcs/reel)</p> | <p>Circuits</p>  |
| <p>SMD Type</p> | | |

2.5mm Dia. Jack, SA Series

MINI JACKS

| | | |
|---|---|---|
| <p>LGK2309-0101 (6 POLE)</p>  <p>Type-B</p> |  <p>(500pcs/reel)</p> <p>(Recommended P.W.Board Dimension) (The Pattern Side)</p> | <p>Circuits</p>  |
| <p>SMD Type</p> | | |

Plug

| | | |
|--|--|---|
| <p>LLP6037-1000</p>  |  <p>Soldering $\phi 0.7$ max.</p> | <p>Circuits</p>  |
|--|--|---|