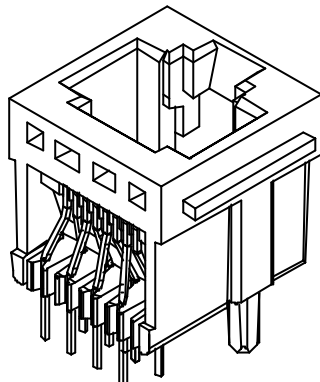
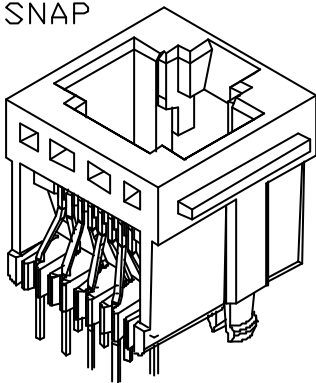


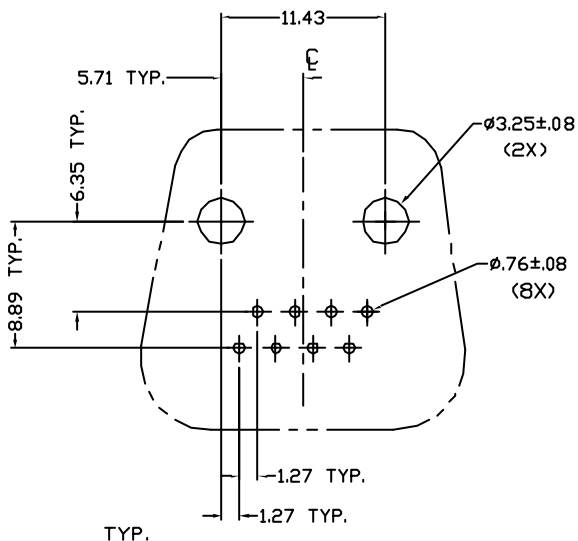
SNAP

STANDARD



NOTES:

- 1) REGULATORY APPROVALS:  
 \* RECOGNIZED TO U.S. AND CANADIAN REQUIREMENTS UNDER THE COMPONENT RECOGNITION PROGRAM OF Underwriters Laboratories Inc.  
 \* CERTIFIED BY THE Canadian Standard Association.
- 2) INSIDE CAVITIES ARE CONFORMED WITH FCC RULES PART 68, SUBPART "F".
- 3) THESE DIMENSIONS APPLY OVER ENTIRE PROTRUDING HEIGHT OF THE TERMINAL.
- 4) HOUSING MATERIAL: HIGH TEMP. THERMOPLASTIC , COLOR - BLACK, UL94V-0.
- 5) CONTACT MATERIAL: PHOSPHOR BRONZE  
 MATING AREA PLATING: Au OVER NI  
 SOLDER AREA PLATING: Sn/Pb OVER NI.
- 6) THE JACKS WERE REPLACED BY "FG" OR "FT" DEPENDING OF PACKAGING METHOD (TUBE/GPAX).
- 7) THIS PRODUCT COVERED BY PRODUCT SPEC. GS-12-083.
- 8) MATES WITH FCC PART 68 PLUGS  
 8/8 FULLY LOADED - TOP ENTRY  
 PRESS-FIT (STANDARD) OR SNAP RETENTION PEGS
- 9) THE HOUSING WILL WITHSTAND EXPOSURE TO 260°C PEAK TEMPERATURE FOR 5 SECONDS IN A WAVE SOLDER APPLICATION WITH A 1.60mm MIN THICK CIRCUIT BOARD. SLIGHT DEFORMATION MAY OCCUR FOR THE DIAMOND PEGS AT 260-265° C WHICH WILL NOT AFFECT THE FUNCTION OF THE PRODUCT.
- 10) PACKAGING OF LEAD FREE PRODUCTS MEETS LABELING AND PACKAGING SPECIFICATION GS-14-920.
- 11) LEAD FREE PRODUCTS MEET EUROPEAN UNION DIRECTIVES AND OTHER COUNTRY REGULATIONS AS DESCRIBED IN GS-22-008.



PCB FOOTPRINT LAYOUT

CPC	DIM "A"	POSITIONS LOADED	PACKAGING	POST TYPE
FT316552LF	3.18	ALL	TUBE	STANDARD
FT316552	3.18	ALL	TUBE	STANDARD

mat'l. code		tolerances unless otherwise specified		CUSTOMER COPY	 title: 8 POSITION VERTICAL JACK ASSEMBLY	
ltr	ecn no	dr	date	linear	projection	code
A	V20906	JRV	4/30/02	linear	mm	product family MOD JACK
B	I05-0255	HVN	28/11/05	angles	mm	size dwg no
				dr J.R. VOLSTORF	4/30/02	scale
				enfr J.R. VOLSTORF	4/30/02	A4
				chr Hiran V N	28/11/05	58109
				appd K.Somasundaram	28/11/05	sheet 1 of 2
sheet index	revision sheet	B	B			
		1	2			

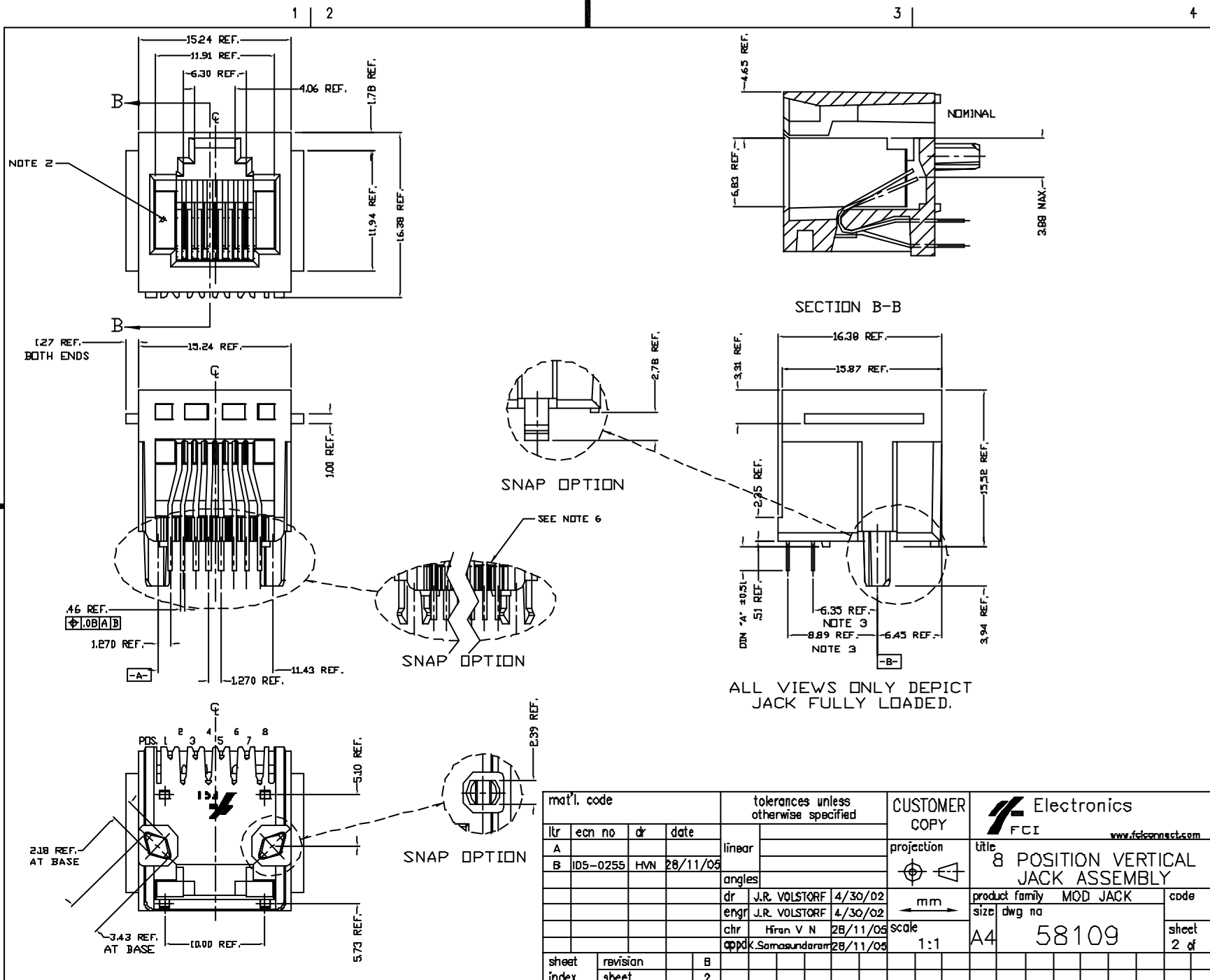
cage code 22526

Tous droits strictement réservés. Reproduction ou communication à des tiers interdite sous quelque forme que ce soit sans autorisation écrite du propriétaire. Propriété de c FCI. Droits de reproduction FCI.

All rights strictly reserved. Reproduction or issue to third parties in any form whatever is not permitted without written authority from the proprietor. Property of FCI. Copyright FCI.

All rights strictly reserved. Reproduction or issue to third parties in any form whatsoever is not permitted without written authority from the proprietor. Property of FCI. Copyright FCI.

Tous droits strictement réservés. Reproduction ou communication à des tiers interdite sous quelque forme que ce soit sans autorisation écrite du propriétaire. Propriété de FCI. Droits de reproduction FCI.



NOTE 2

1.27 REF. BOTH ENDS

4.6 REF. 1.0B A B

2.18 REF. AT BASE

3.43 REF. AT BASE

SNAP OPTION

SEE NOTE 6

SNAP OPTION

SNAP OPTION

SECTION B-B

ALL VIEWS ONLY DEPICT JACK FULLY LOADED.

mat'l. code		tolerances unless otherwise specified		CUSTOMER COPY		Electronics www.fciconnect.com	
ltr	ecn no	dr	date	linear	projection	title	
A						8 POSITION VERTICAL JACK ASSEMBLY	
B	105-0255	HVN	28/11/05	angles		product family	MOD JACK
				dr	J.R. VOLSTORF	4/30/02	code
				enfr	J.R. VOLSTORF	4/30/02	size
				chr	Hiran V N	28/11/05	dwg no
				appd	K.Somasundaram	28/11/05	scale
sheet	revision					1:1	A4
index	sheet	B	2				58109
							code code
							22526

ACAD

PDM: Rev:B

STATUS: Released

Printed: Dec 31, 2005