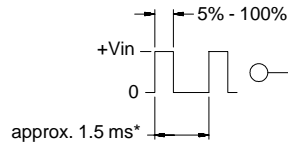
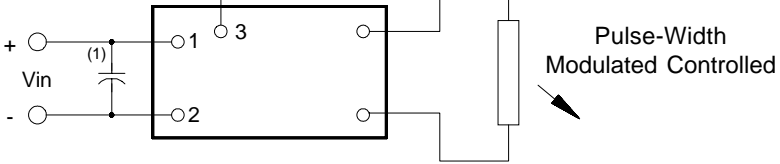


8m122359

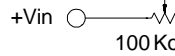
3 Dimming Options
(valid when the "C" jumper is removed)



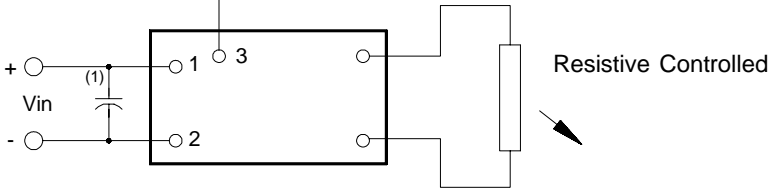
* should be selected to be compatible with LCD and display driver



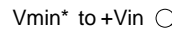
Pulse-Width Modulated Controlled



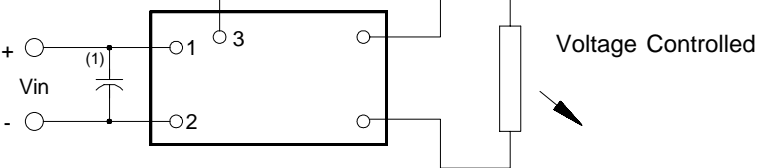
* value should be low enough to maintain minimum tube current at minimum brightness



Resistive Controlled



* Vmin should be high enough to maintain minimum tube current



Voltage Controlled

Note 1 Input by-pass capacitor (25 uf - 100uf) may be required to reduce reflected ripple.



Endicott Research Group, Inc.

2601 Wayne St., Endicott NY 13760

607-754-9187



Endicott Research Group, Inc.

2601 Wayne St., Endicott NY 13760

607-754-9187 Fax 607-754-9255

<http://www.ergpower.com>

Specifications and Applications Information

4/7/00

Preliminary

The ERG 8m122359 (8m Class) low profile dc to ac inverter is specifically designed to power the Kyocera KCS072VG1MB-G40, KHS072VG1MB-G80/G83 LCD display module to a moderate brightness level from a +12 volt dc source.

This low profile inverter features:

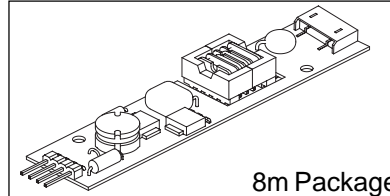
- ✓ Less Than 8 mm in Height
- ✓ LCD Module Specific
- ✓ Display Compatible Output Connector
- ✓ Firm Specifications
- ✓ Application Information
- ✓ Designed, Manufactured and Supported in the USA
- ✓ Custom Input and Output Voltages
- ✓ Flexible System Interface
- ✓ Notebook Display Head Compatible

Pin Descriptions

Input Connector	Output Connector
4 pins are 0.315" [8,00] Long, 0.025" [0,63] Square and are on 0.100" [2,54] Centers.	JST SM02(8.0)B-BHS-1-TB
Con1-1 Vin(+) Con1-2 GND Con1-3 Control * Con1-4 NC	Con2-1 ACout Con2-2 NC Con2-3 NC Con2-4 ACout
* Valid when the "C" Jumper is removed	

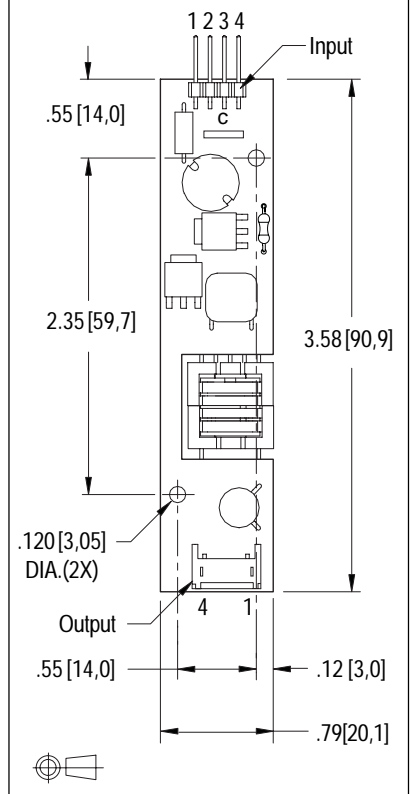
8m122359

8m Class
DC to AC Inverter



8m Package

Package Configuration



8m122359

Absolute Maximum Ratings

Rating	Symbol	Value	Units
Input Voltage Range	V _{in}	-0.3 to +13.2	Vdc
Operating Temperature	T _o	-0 to +70	°C
Storage Temperature	T _{stg}	-40 to +85	°C

Recommended Operating Conditions

Rating	Symbol	Value	Units
Input Voltage	V _{in}	+6 to 13.2	Vdc

Electrical Characteristics

Unless otherwise noted V_{in} = 12.00 Volts dc and T_a = 25 °C

Characteristic	Symbol	Min	Typ	Max	Units
Input Current	I _{in}	-	.23	.26	Adc
Operating Frequency	F _o	31	36	41	KHz
Minimum Output Voltage	V _{out} (min)	1000	-	-	Vrms
Efficiency	η	-	73	-	%
Output Current	I _{out}	-	5.2	-	marms
Output Voltage (When powering a load simulating the referenced display)	V _{out}	-	385	-	Vrms
Pin3 Input Current Requirement	-	-	6	-	madc

After tube has been allowed to warm-up for 5 minutes
External Disable Circuit shown on page 3.

Specifications subject to change without notice.



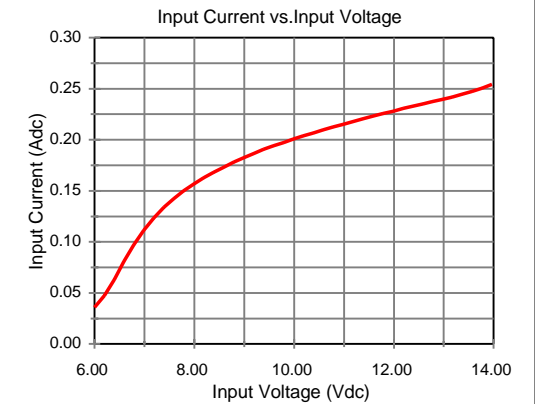
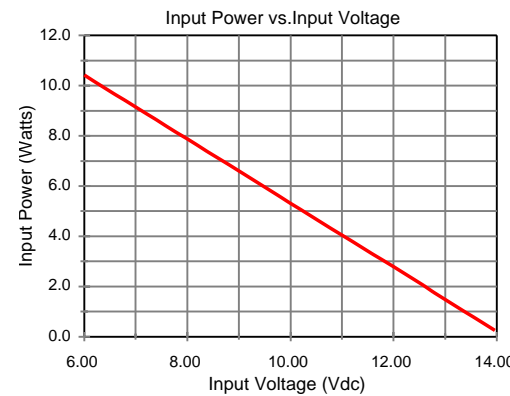
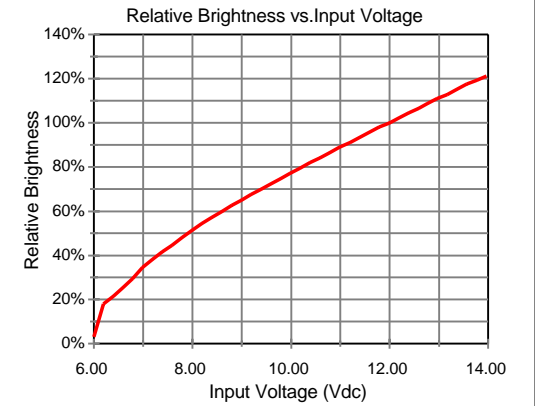
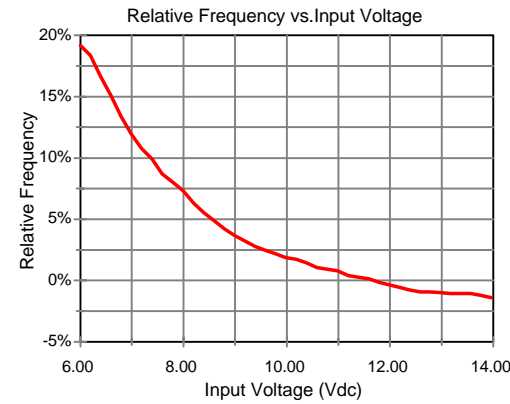
Endicott Research Group, Inc.

Made in USA

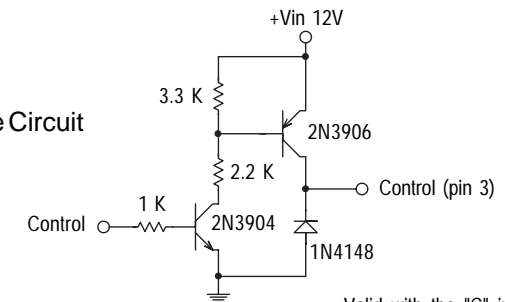
page 2.

Typical Performance Curves

8m122359



Disable Circuit



Valid with the "C" jumper removed



Endicott Research Group, Inc.

page 3.