

1

2

3

4

A

B

C

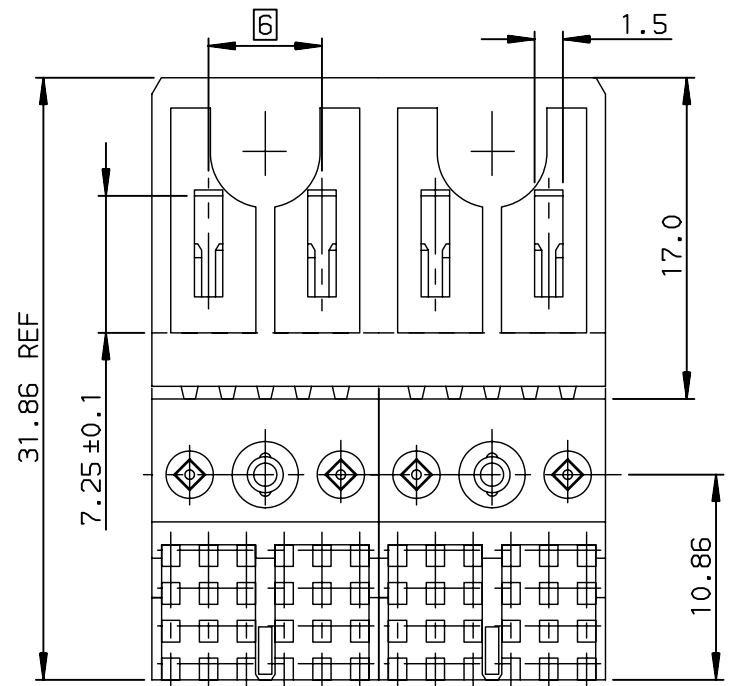
D

A

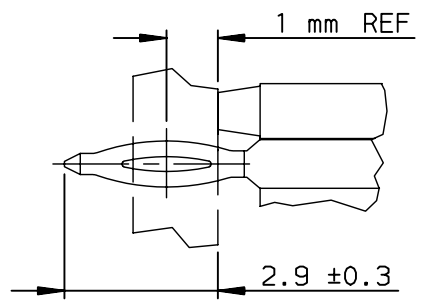
B

C

D

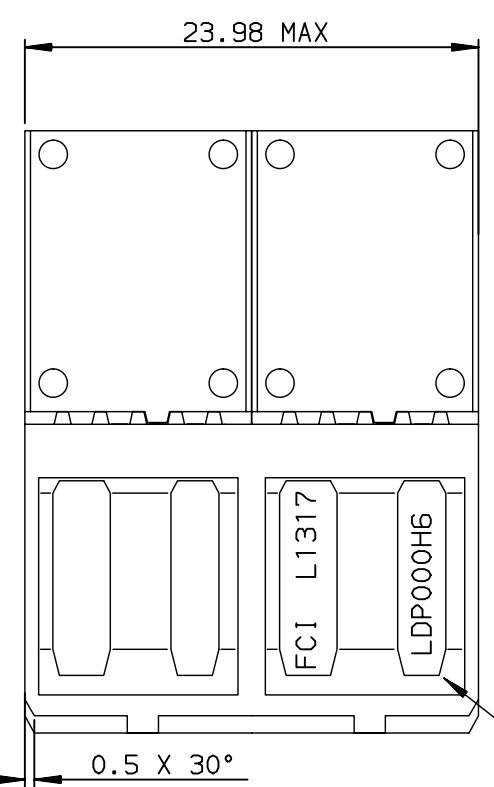
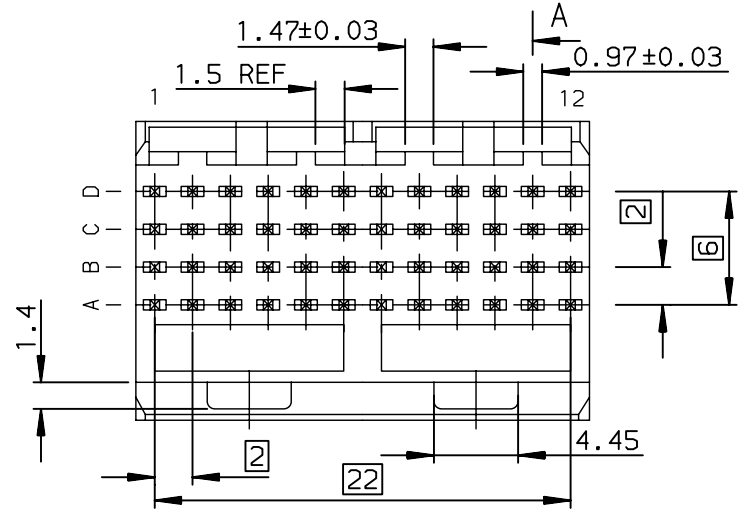
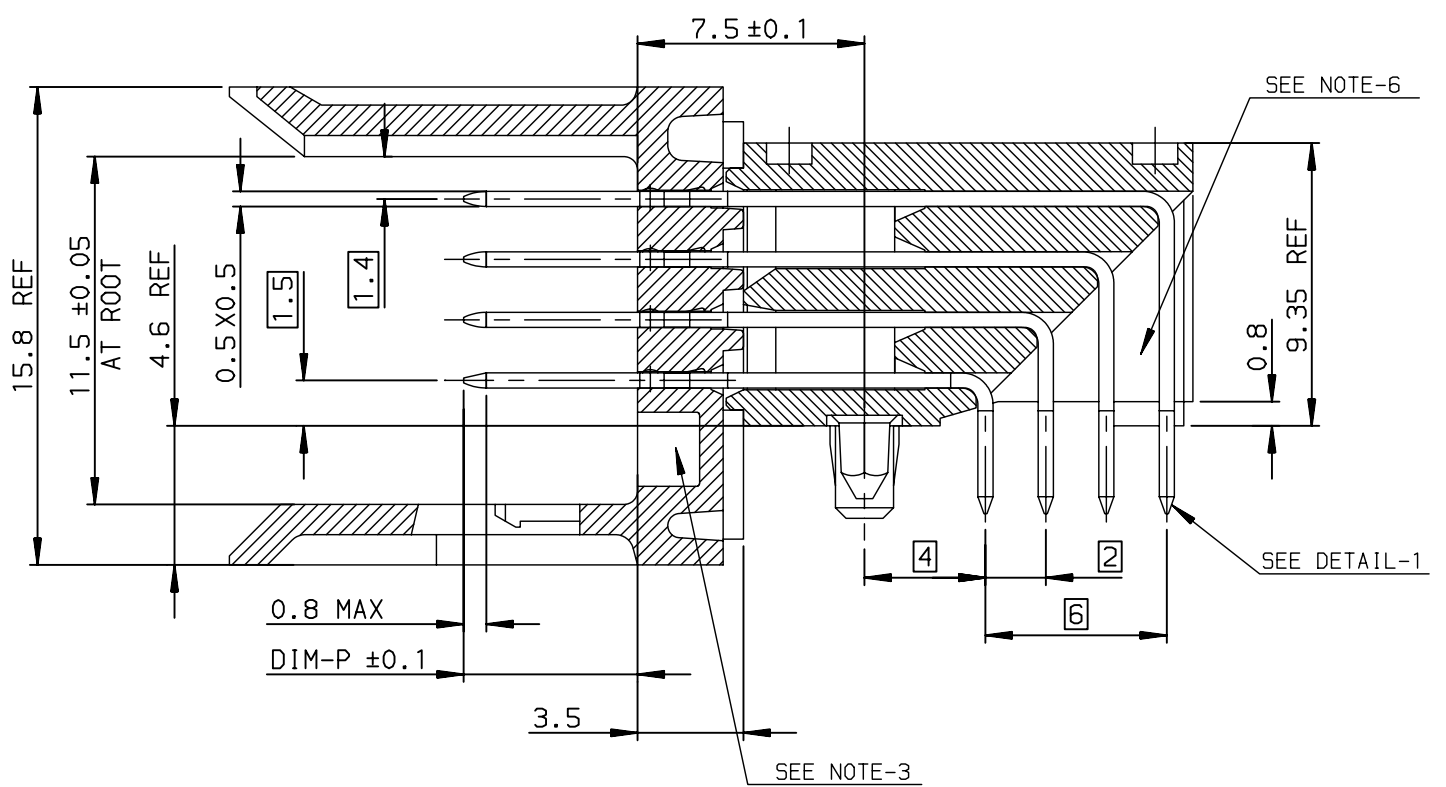


DETAIL-1: PRESS-FIT TAIL



- NOTE-1: NORMINATIVE REF = IEC-61076-4-104
- NOTE-2: ONE CENTER PEG FOR HOLD DOWN FORCE
- NOTE-3: CODING RECESS FOR 8MM EXTENDED KEYS
- NOTE-4: PRODUCT MARKING = PRODUCT NUMBER + BATCH CODE + FC1  
FOR 2 MODULE SIZE, END OF PART NUMBER ONLY
- NOTE-6: CENTRAL WALL WITH END REAR SUPPORT
- NOTE-7: PACKAGING IN TRAY + COVER  
IF SUFFIX "P" IS ADDED IN P/N PACKAGING IS IN TRAYS  
BUT CONNECTOR MARKING IS WITHOUT "P"  
EXAMPLE: HM1XXXXXXXXXH6P, MARKED HM1XXXXXXXXXH6

SECTION-A SCALE: 4/1



GENERAL CHARACTERISTICS AND ROHS INFORMATIONS:  
SEE PRODUCT SPECIFICATION GS-12-445

OTHERS INFORMATIONS, SEE DRW C-8626-0151-2

European Views

www.fciconnect.com		surface ISO 1302	tolerance std ISO 406 ISO 1101	projection mm
TOLERANCES UNLESS OTHERWISE SPECIFIED				size A3
Dr	CHAMPION	1994/04/05	ANGULAR	0.X ± 0.1
Eng	LENOIR	1994/04/05	LINEAR	0.XX ± 0.1
Chr	LEGARE	1994/04/05	0.XX' ± 2'	0.XXX ± 0.1
Appr	LEGARE	1994/04/05	Product family	METRAL
Title METRAL RA HDR WB CONV 4x12 CTS - PF - PUSH PEG				Spec ref -
catalog no				dwg no C-8626-0151-1
				Rev. H
				CUSTOMER sheet 1 of 2

rev	ecn no	dr	date
E	-	PCH	2004/07/09
F	LS05-0056	LGO	2005/07/06
G	LS06-0097	LGO	2006/07/12
H	LS07-0184	MLE	2007/07/25
-	-	-	-
-	-	-	-
-	-	-	-



Copyright FCI.

1

2

3

TIN LEAD PART NUMBER

DIM-P ±0.10				P/N AND PERFORMANCE LEVEL	SP N°
ROW-A	ROW-B	ROW-C	ROW-D		
5.00	5.00	5.00	5.00	HM1L42ADP000H6P	
5.75	5.75	5.75	5.75	HM1L42LDP000H6P	
6.50	6.50	6.50	6.50	HM1L42DDP000H6P	
6.50	5.00	5.00	5.00	HM1L42BDP000H6P	
6.50	5.75	5.75	6.50	HM1L42CDP000H6P	
5.00	5.00	6.50	5.00	HM1L42ZDP110H6P	110
5.00	5.75	6.50	5.00	HM1L42ZDP430H6P	430
5.00	5.75	5.00	5.00	HM1L42ZDP448H6P	448
5.75	5.00	5.00	5.00	HM1L42ZDP009H6P	009
5.75	6.50	5.75	5.00	HM1L42ZDP424H6P	424
6.50	5.75	6.50	5.75	HM1L42ZDP037H6P	037
6.50	5.75	5.00	5.75	HM1L42ZDP102H6P	102
6.50	6.50	6.50	5.75	HM1L42ZDP135H6P	135
6.50	5.75	5.75	5.75	HM1L42ZDP369H6P	369
8.00	6.50	6.50	6.50	HM1L42ZDPA07H6P	A07

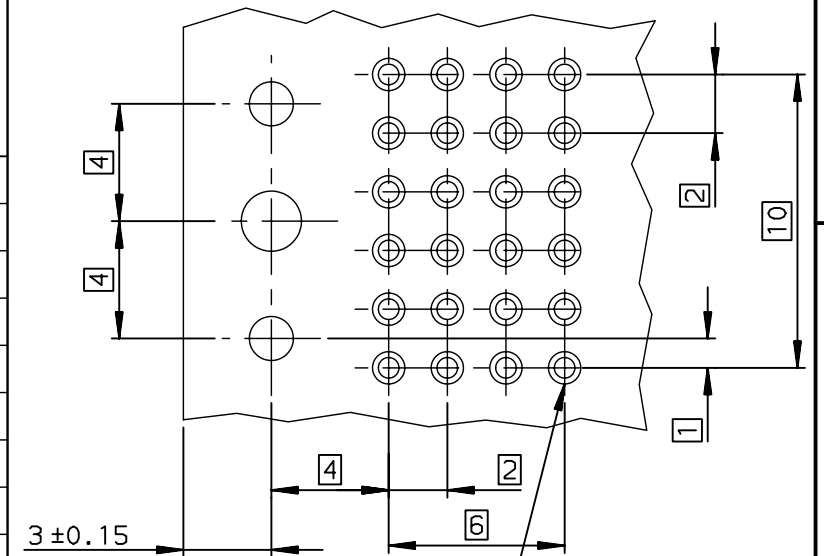
STANDARD MATING LENGTHS = 5.75 (AND 5.00-6.50)

LEAD FREE PART NUMBER

DIM-P ±0.10				P/N AND PERFORMANCE LEVEL	SP N°
ROW-A	ROW-B	ROW-C	ROW-D		
5.00	5.00	5.00	5.00	HM1L42ADP000H6PLF	
5.75	5.75	5.75	5.75	HM1L42LDP000H6PLF	
6.50	6.50	6.50	6.50	HM1L42DDP000H6PLF	
6.50	5.00	5.00	5.00	HM1L42BDP000H6PLF	
6.50	5.75	5.75	6.50	HM1L42CDP000H6PLF	
5.00	5.00	6.50	5.00	HM1L42ZDP110H6PLF	110
5.00	5.75	6.50	5.00	HM1L42ZDP430H6PLF	430
5.00	5.75	5.00	5.00	HM1L42ZDP448H6PLF	448
5.75	5.00	5.00	5.00	HM1L42ZDP009H6PLF	009
5.75	6.50	5.75	5.00	HM1L42ZDP424H6PLF	424
6.50	5.75	6.50	5.75	HM1L42ZDP037H6PLF	037
6.50	5.75	5.00	5.75	HM1L42ZDP102H6PLF	102
6.50	6.50	6.50	5.75	HM1L42ZDP135H6PLF	135
6.50	5.75	5.75	5.75	HM1L42ZDP369H6PLF	369
8.00	6.50	6.50	6.50	HM1L42ZDPA07H6PLF	A07

STANDARD MATING LENGTHS = 5.75 (AND 5.00-6.50)

RECOMMENDED PCB LAYOUT PER 12MM LENGTH

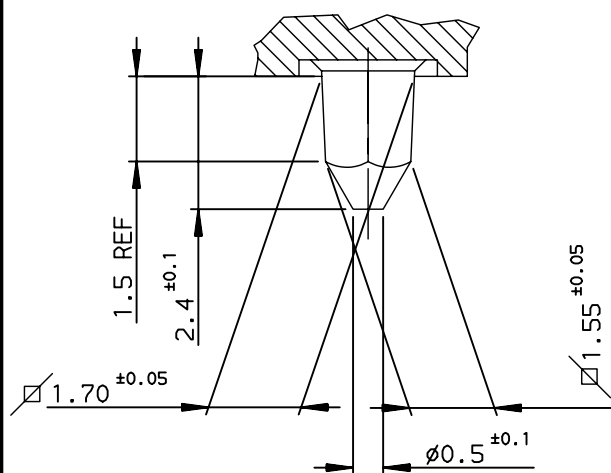


Hole according to product spec  
 GS-12-445 (for press-fit) ,  
 GS-12-446 (for STB)

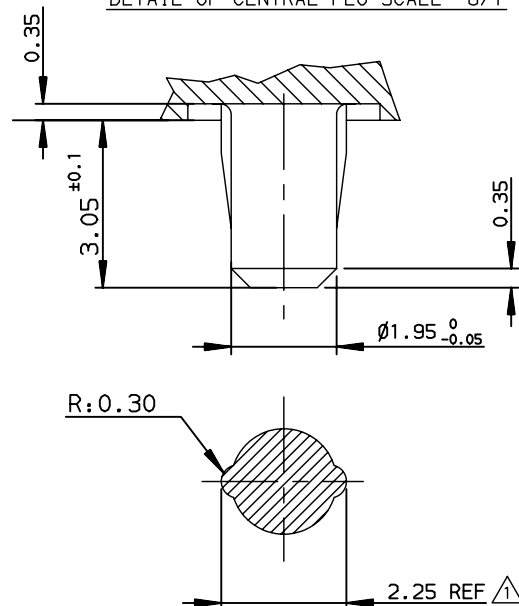


Copyright FCI.

DETAIL OF LOCATING PEGS (2x) SCALE 8/1



DETAIL OF CENTRAL PEG SCALE 8/1



OTHERS INFORMATIONS, SEE DRW 8626-0151-1

European Views

www.fciconnect.com		surface ISO 1302	tolerance std ISO 406 ISO 1101	projection mm
TOLERANCES UNLESS OTHERWISE SPECIFIED				
Dr	CHAMPION	1994/04/05	ANGULAR	0.X ±0.1
Eng	LENOIR	1994/04/05	LINEAR	0.XX ±0.1
Chr	LEGARE	1994/04/05	0.XX' ±2'	0.XXX ±0.1
Appr	LEGARE	1994/04/05	Product family	METRAL
size				A3
ECN				LS07-0184
Spec ref				-
Title			METRAL RA HDR WB CONV	Rev.
catalog no			-	H
dwg no			C-8626-0151-2	sheet 2 of 2

rev	ecn no	dr	date
D	-	PCH	2003/03/17
F	LS05-0056	LGO	2005/07/06
G	LS06-0097	LGO	2006/07/12
H	LS07-0184	MLE	2007/07/24
-	-	-	-
-	-	-	-
-	-	-	-

REV F - 2006-04-17