

REFERENCE SPECIFICATIONS

• NFC 93425 (in compliance with HE 507)

PHYSICAL CHARACTERISTICS

- INSULATOR MATERIAL: THERMOPLASTIC UL94V0
- CONTACT MATERIAL: BRASS
- ACCESSORIES: STEEL FOR BRACKETS
- SHELLS: STEEL

ELECTRICAL CHARACTERISTICS

• NOMINAL CURRENT: 7.5A (SIGNAL CONTACT)

• CONTACT RESISTANCE: $\leq 7.3\text{ m Ohms (SIGNAL)}$

• CONTACT/CONTACT : >=1000 V

• CONTACT/GROUND : >=1200 V

• INSULATION RESISTANCE: >=5000 MOhms

ENVIRONMENTAL CHARACTERISTICS

• CLIMATIC CATEGORY: 55/125/21

TEMPERATURE RANGE -55°C TO +125°C

DAMP HEAT STEADY STATE 56 DAYS

SALT SPRAY 48 HOURS

NOTE RoHS INFORMATION

- The "LF" products meet european union Directives and other country regulations as described in GS-22-008.
- The housing will withstand exposure to 260°C peak temperature for 3.5 seconds in a wave solder application with a 1.6mm minimum thick circuit board. See application notes/procedures if they are available.
- Termination plating spec:
- Signal contacts: Gold over Ni
- Active area plating spec:
- Signal contacts: Gold over Ni
- Shell plating : Zn Cr3, white color
- Accessories: Zn Cr3, white or transparent color
- Packaging spec: See GS-14-920

DBML13W3P500MNLF

Series

Shell size: E A B C D
(see sheet 3)

M : Characteristics for the DM serie

Front accessory definition (see sheet 2)

- blank : without accessory
- L : threaded insert M3
- O : threaded insert UNC 4-40
- V : female screw UNC 4-40

Layout of contacts (see sheet 3)

Contacts

P : Pin

Termination type

5 Right angle/Europe standard

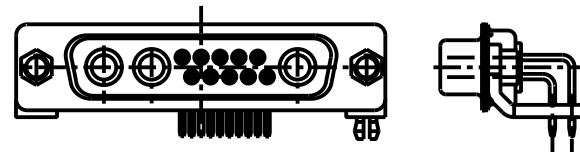
Plating

- 00 Right angle 500 matings/unmatings
- 43 Right angle 500 matings/unmatings for harsh environment

PCB accessories definition (see sheet 2)

- blank : Plastic brackets
- C : Without brackets
- M : Metal brackets
- N : Obligatory indication for HE 507

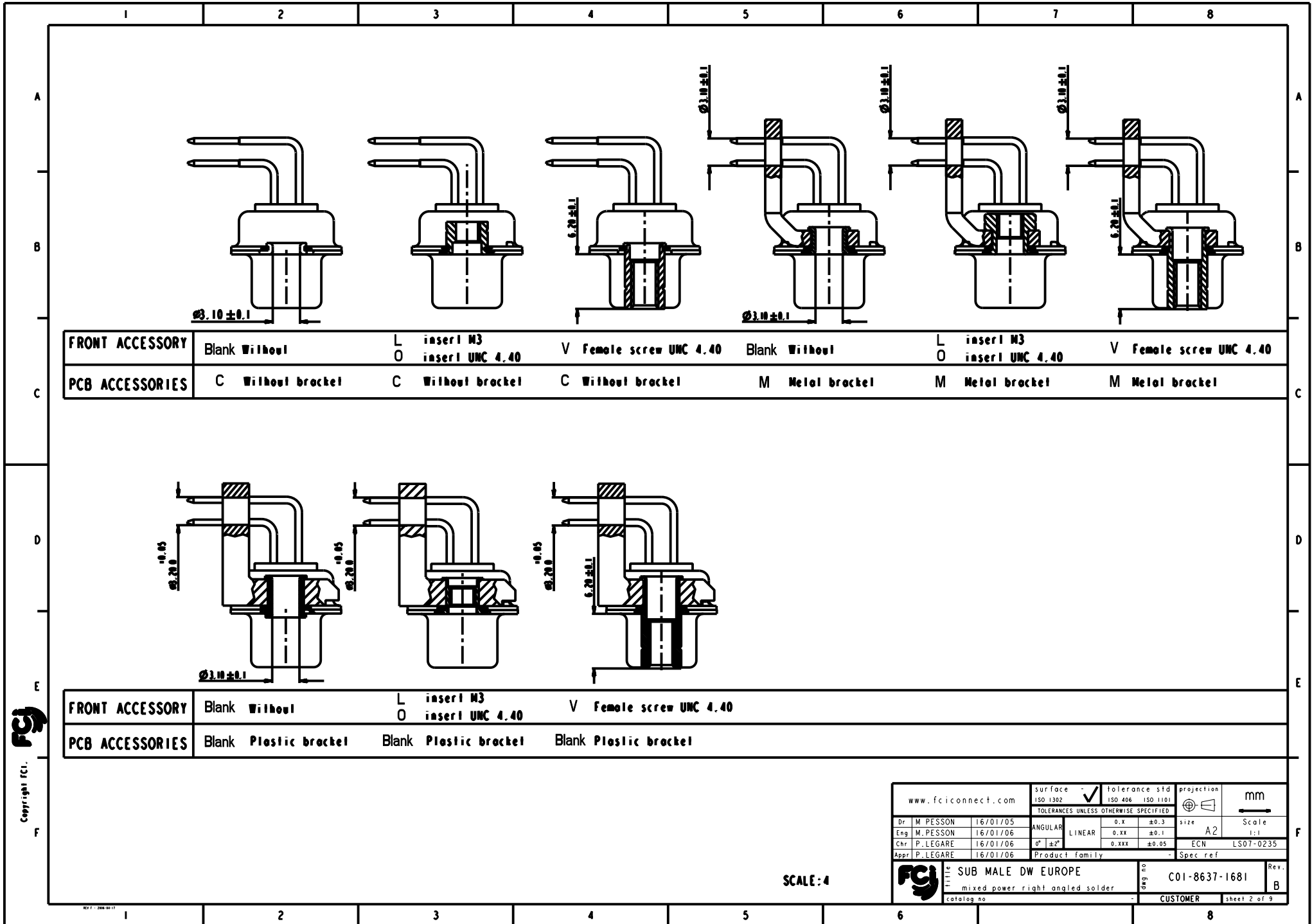
See note RoHS



13W3 FOR EXAMPLE

www.fciconnect.com				surface	tolerance std	projection	mm
				ISO 1302	ISO 406 ISO 1101		
				TOLERANCES UNLESS OTHERWISE SPECIFIED			
Dr	M. PESSON	16/01/05	ANGULAR	0.X	±0.3	size	Scale
Eng	M. PESSON	16/01/06	LINEAR	0.xx	±0.1	A2	1:1
Chr	P. LEGARE	16/01/06	0° ±2°	0.xxx	±0.05	ECN	LS07-0235
Appr	P. LEGARE	16/01/06	Product family	- Spec ref			
				SUB MALE DW EUROPE		ang no	Rev.
				mixed power right angled solder		C01-8637-1681	B
				catalog no		CUSTOMER	sheet 1 of 9

Copyright FCI



FRONT ACCESSORY	Blank Without	L insert M3 O insert UNC 4.40	V Female screw UNC 4.40	Blank Without	L insert M3 O insert UNC 4.40	V Female screw UNC 4.40
PCB ACCESSORIES	C Without bracket	C Without bracket	C Without bracket	M Metal bracket	M Metal bracket	M Metal bracket

FRONT ACCESSORY	Blank Without	L insert M3 O insert UNC 4.40	V Female screw UNC 4.40
PCB ACCESSORIES	Blank Plastic bracket	Blank Plastic bracket	Blank Plastic bracket

www.fciconnect.com		surface - ISO 1302	tolerance std ISO 406 ISO 1101	projection mm
		TOLERANCES UNLESS OTHERWISE SPECIFIED		
Dr M. PESSON	16/01/05	ANGULAR	0.X ±0.3	size A2 Scale 1:1
Eng M. PESSON	16/01/06	LINEAR	0.XX ±0.1	ECN LS07-0235
Chr P. LEGARE	16/01/06	0° ±2'	0.XXX ±0.05	Spec ref
Appr P. LEGARE	16/01/06	Product family		
FCI SUB MALE DW EUROPE		ang no	C01-8637-1681	
mixed power right angled solder		Rev.	B	
catalog no		CUSTOMER	sheet 2 of 9	

SCALE: 4

Copyright FCI.

shell size * LAYOUTS
xWx

PART NUMBER	MATING/UMATING	FRONT ACCESSORY	PCB ACCESSORIES
D=HsWpP500CNLF	500	without	without
D=HLsWpP500CNLF	500	insert M3	without
D=HOsWpP500CNLF	500	insert UNC 4.00	without
D=MVsWpP500CNLF	500	female screw UNC 4.00	without
D=HsWpP500MNLF	500	without	metal bracket
D=HLsWpP500MNLF	500	insert M3	metal bracket
D=HOsWpP500MNLF	500	insert UNC 4.00	metal bracket
D=MVsWpP500MNLF	500	female screw UNC 4.00	metal bracket
D=HsWpP500PLF	500	without	plastic bracket
D=HLsWpP500PLF	500	insert M3	plastic bracket
D=HOsWpP500PLF	500	insert UNC 4.00	plastic bracket
D=MVsWpP500PLF	500	female screw UNC 4.00	plastic bracket

PART NUMBER	MATING/UMATING	FRONT ACCESSORY	PCB ACCESSORIES
D=HsWpP543CNLF	500	without	without
D=HLsWpP543CNLF	500	insert M3	without
D=HOsWpP543CNLF	500	insert UNC 4.00	without
D=MVsWpP543CNLF	500	female screw UNC 4.00	without
D=HsWpP543MNLF	500	without	metal bracket
D=HLsWpP543MNLF	500	insert M3	metal bracket
D=HOsWpP543MNLF	500	insert UNC 4.00	metal bracket
D=MVsWpP543MNLF	500	female screw UNC 4.00	metal bracket
D=HsWpP543PLF	500	without	plastic bracket
D=HLsWpP543PLF	500	insert M3	plastic bracket
D=HOsWpP543PLF	500	insert UNC 4.00	plastic bracket
D=MVsWpP543PLF	500	female screw UNC 4.00	plastic bracket

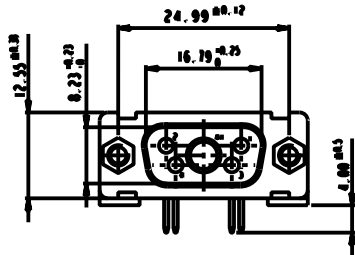
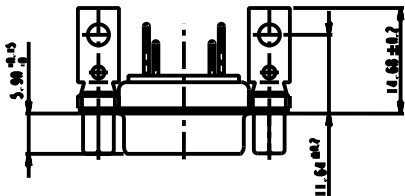
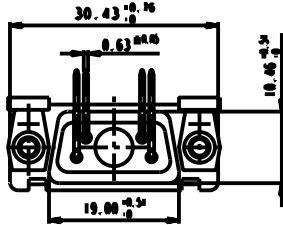
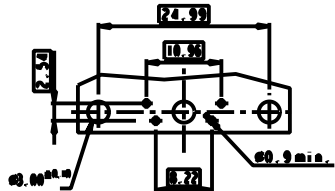
E 5W1
A 11W1
A 7W2
B 21W1
B 17W2
B 13W3
B 9W4
C 25W3
C 21WA4
C 27W2
D 47W1
D 24W7
D 36W4

Copyright fci.

www.fciconnect.com		surface - ISO 1302 ✓	tolerance std ISO 406 ISO 1101	projection mm
		TOLERANCES UNLESS OTHERWISE SPECIFIED		
Dr M.PESSON	16/01/05	ANGULAR	0.X ±0.3	size A2 Scale 1:1
Eng M.PESSON	16/01/06	LINEAR	0.XX ±0.1	ECN LS07-0235
Chr P.LEGARE	16/01/06	Ø ±z	0.XXX ±0.05	Spec.ref
Appr P.LEGARE	16/01/06	Product family		
SUB MALE DW EUROPE		ang no	C01-8637-1681	
mixed power right angled solder		Rev.	B	
catalog no		CUSTOMER	sheet 3 of 9	

5W1

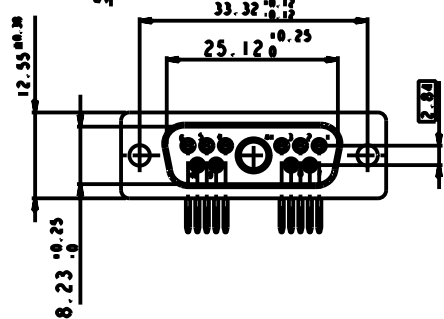
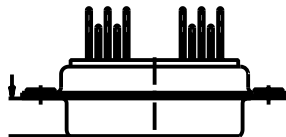
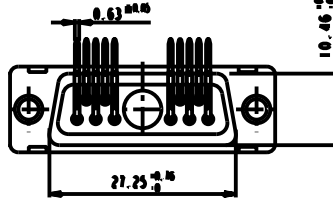
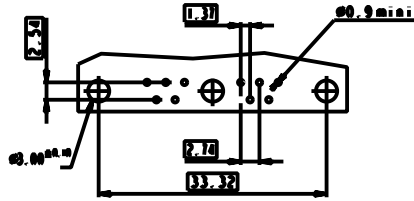
LAYOUT AND CONNECTOR DIMENSIONS



floating signal contacts

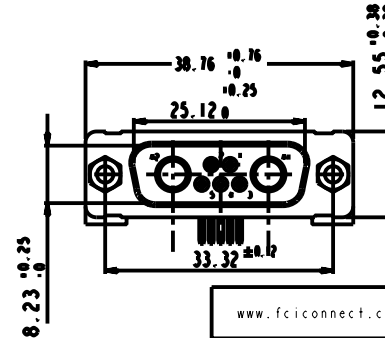
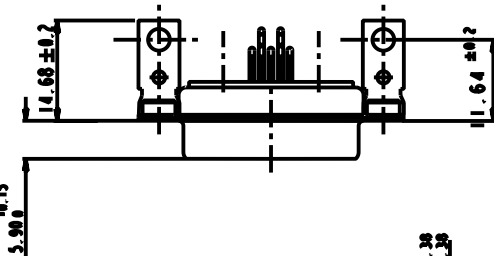
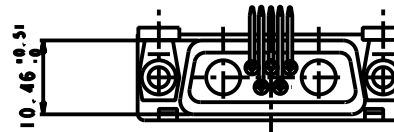
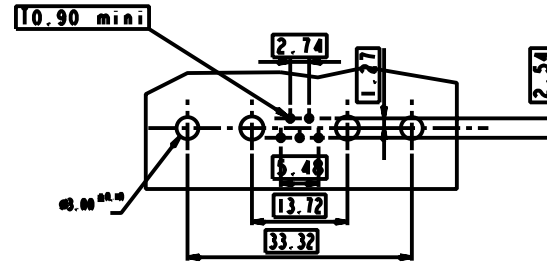
11W1

LAYOUT AND CONNECTOR DIMENSIONS

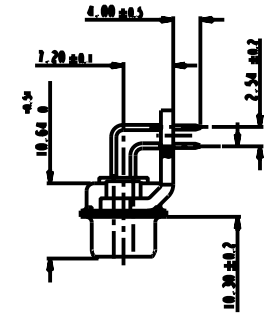


7W2

LAYOUT AND CONNECTOR DIMENSIONS



SIDE VIEW FOR ALL LAYOUTS
E-A-B-C

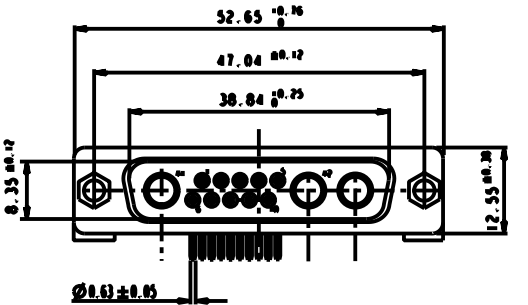
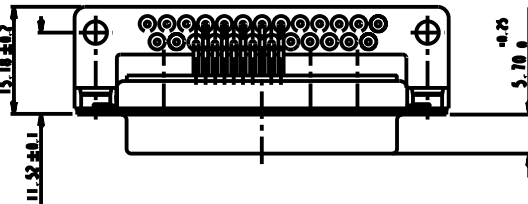
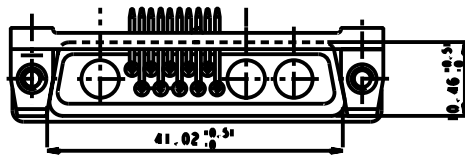
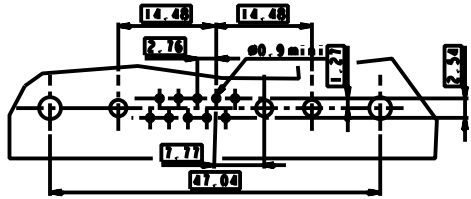


Copyright FCI

www.fciconnect.com		surface ISO 1302	tolerance std ISO 406 ISO 1101	projection mm
		TOLERANCES UNLESS OTHERWISE SPECIFIED		
Dr M. PESSON	16/01/05	ANGULAR	0.X ±0.3	size A2 Scale 1:1
Eng M. PESSON	16/01/06	LINEAR	0.XX ±0.1	ECN LS07-0235
Chr P. LEGARE	16/01/06	0° ±2°	0.XXX ±0.05	Spec ref
Appr P. LEGARE	16/01/06	Product family		
SUB MALE DW EUROPE mixed power right angled solder catalog no		Part no C01-8637-1681	Rev. B	CUSTOMER sheet 4 of 9

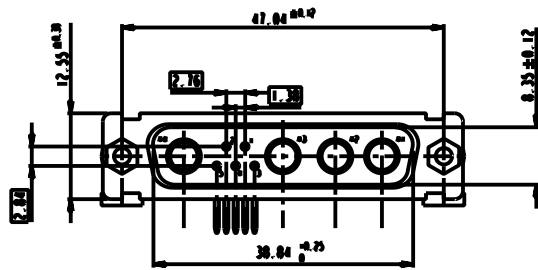
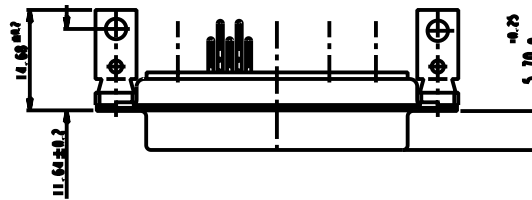
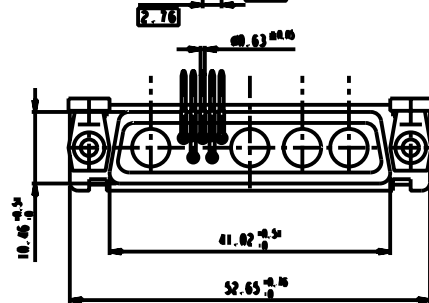
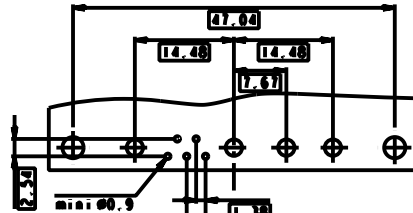
13W3

LAYOUT AND CONNECTOR DIMENSIONS



9W4

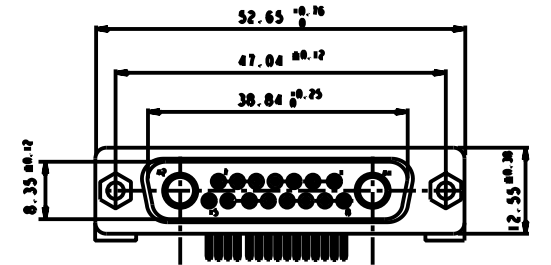
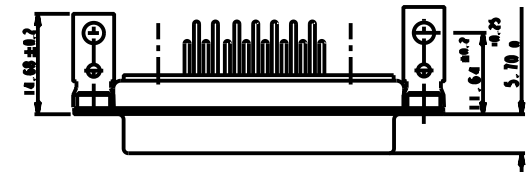
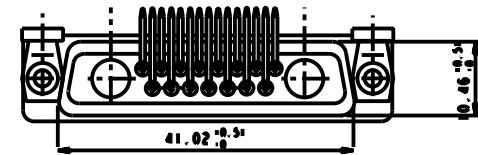
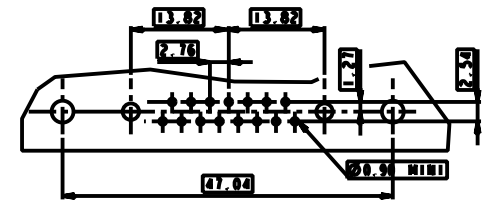
LAYOUT AND CONNECTOR DIMENSIONS



floating signal contacts

17W2

LAYOUT AND CONNECTOR DIMENSIONS

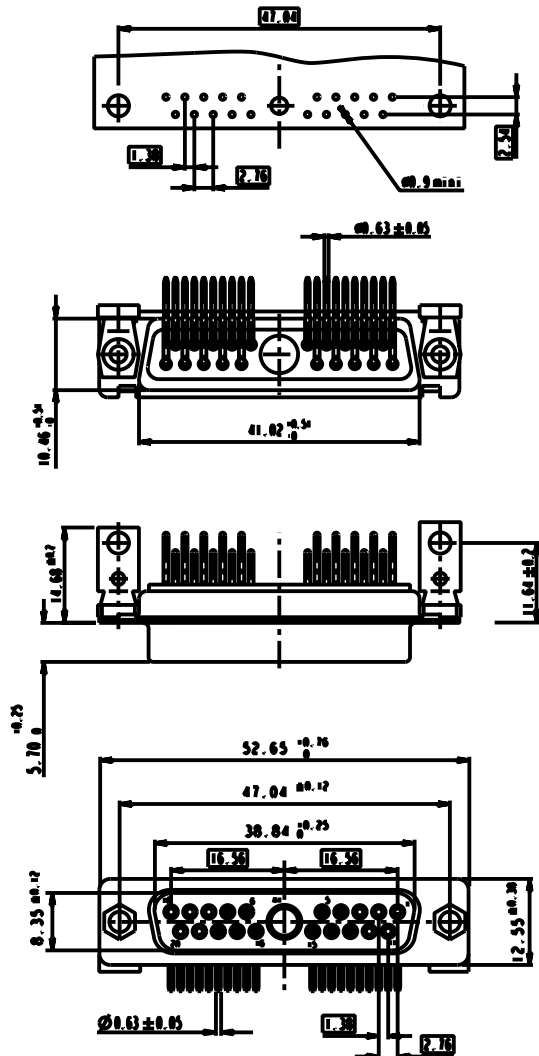


www.fciconnect.com		surface - ISO 1302	tolerance std ISO 406 ISO 1101	projection TOLERANCES UNLESS OTHERWISE SPECIFIED	mm
Dr M. PESSON	16/01/05	ANGULAR	0.X ±0.3	size A2	Scale 1:1
Eng M. PESSON	16/01/06	LINEAR	0.XX ±0.1	ECN LS07-0235	
Chr P. LEGARE	16/01/06	0° ±2'	0.XXX ±0.05	Spec ref	
Appr P. LEGARE	16/01/06	Product family			
SUB MALE DW EUROPE mixed power right angled solder catalog no		arg no	C01-8637-1681		Rev. B
				CUSTOMER	sheet 5 of 9

Copyright FCI

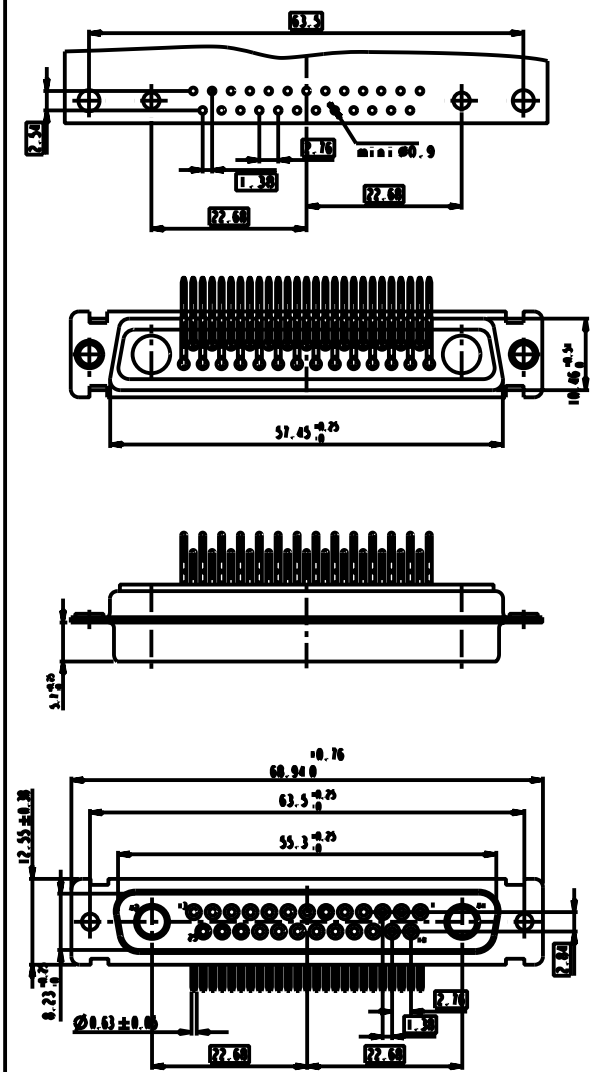
21W1

LAYOUT AND CONNECTOR DIMENSIONS



27W2

LAYOUT AND CONNECTOR DIMENSIONS

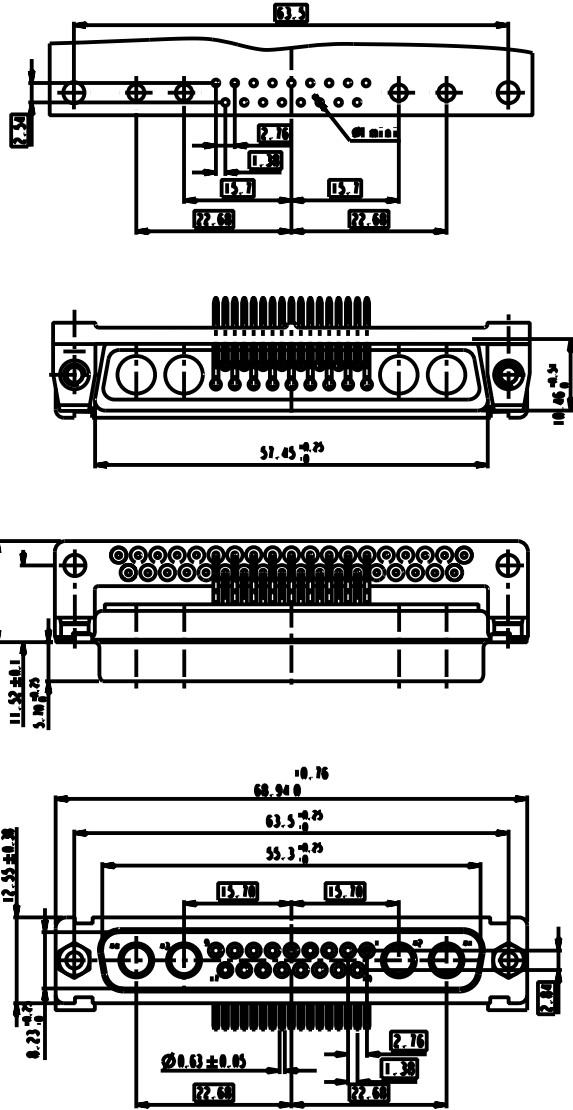


Copyright fci.

www.fciconnect.com		surface - ISO 1302	tolerance std ISO 406 ISO 1101	projection mm
		TOLERANCES UNLESS OTHERWISE SPECIFIED		
Dr M. PESSON	16/01/05	ANGULAR	0.X ±0.3	size A2
Eng M. PESSON	16/01/06	LINEAR	0.XX ±0.1	Scale 1:1
Chr P. LEGARE	16/01/06	° ±2'	0.XXX ±0.05	ECN LS07-0235
Appr P. LEGARE	16/01/06	Product family	-	Spec ref
SUB MALE DW EUROPE		ang no	C01-8637-1681	
mixed power right angled solder		Rev.	B	
catalog no		CUSTOMER	sheet 6 of 9	

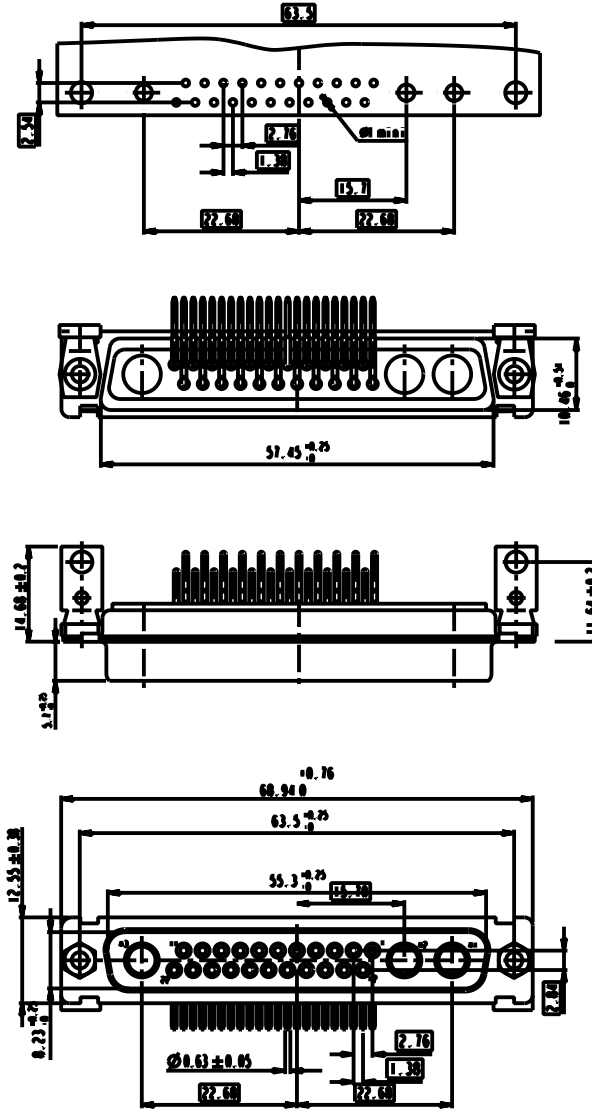
21WA4

LAYOUT AND CONNECTOR DIMENSIONS



25W3

LAYOUT AND CONNECTOR DIMENSIONS

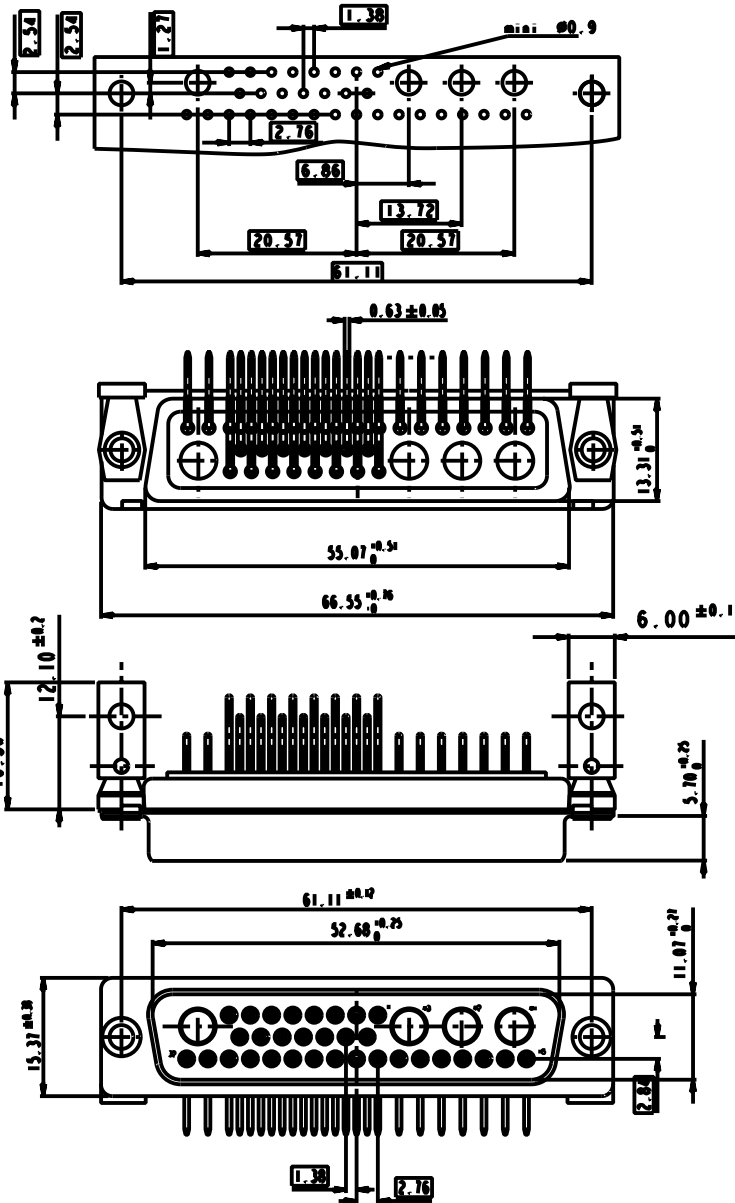


Copyright FCI.

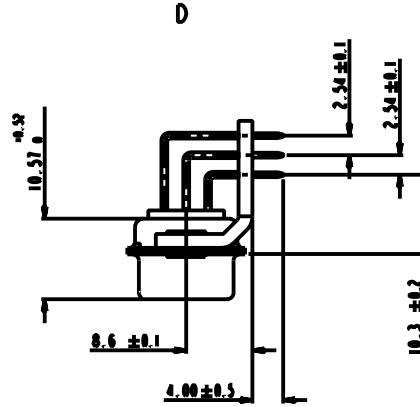
www.fciconnect.com		surface ISO 1302	tolerance std ISO 406 ISO 1101	projection mm
		TOLERANCES UNLESS OTHERWISE SPECIFIED		
Dr M. PESSON	16/01/05	ANGULAR	0.X ±0.3	size A2 Scale 1:1
Eng M. PESSON	16/01/06	LINEAR	0.XX ±0.1	ECN LS07-0235
Chr P. LEGARE	16/01/06	° ±2'	0.XXX ±0.05	Spec ref
Appr P. LEGARE	16/01/06	Product family		
SUB MALE DW EUROPE mixed power right angled solder catalog no		ang no C01-8637-1681	Rev. B	CUSTOMER sheet 7 of 9

36W4

LAYOUT AND CONNECTOR DIMENSIONS



SIDE VIEW FOR ALL LAYOUTS



Copyright FCI

www.fciconnect.com		surface	ISO 1302	tolerance std	ISO 406	ISO 1101	projection	mm
		TOLERANCES UNLESS OTHERWISE SPECIFIED						
Dr	M. PESSON	16/01/05	ANGULAR	0.X	±0.3		size	A2
Eng	M. PESSON	16/01/06	LINEAR	0.XX	±0.1		Scale	1:1
Chr	P. LEGARE	16/01/06	Ø ±Z	0.XXX	±0.05		ECN	LS07-0235
Appr	P. LEGARE	16/01/06	Product family				Spec ref	
		SUB MALE DW EUROPE			cat no	C01-8637-1681		Rev.
		mixed power right angled solder				CUSTOMER		B
		catalog no					sheet 9 of 9	