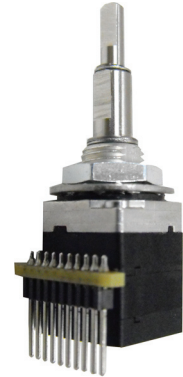


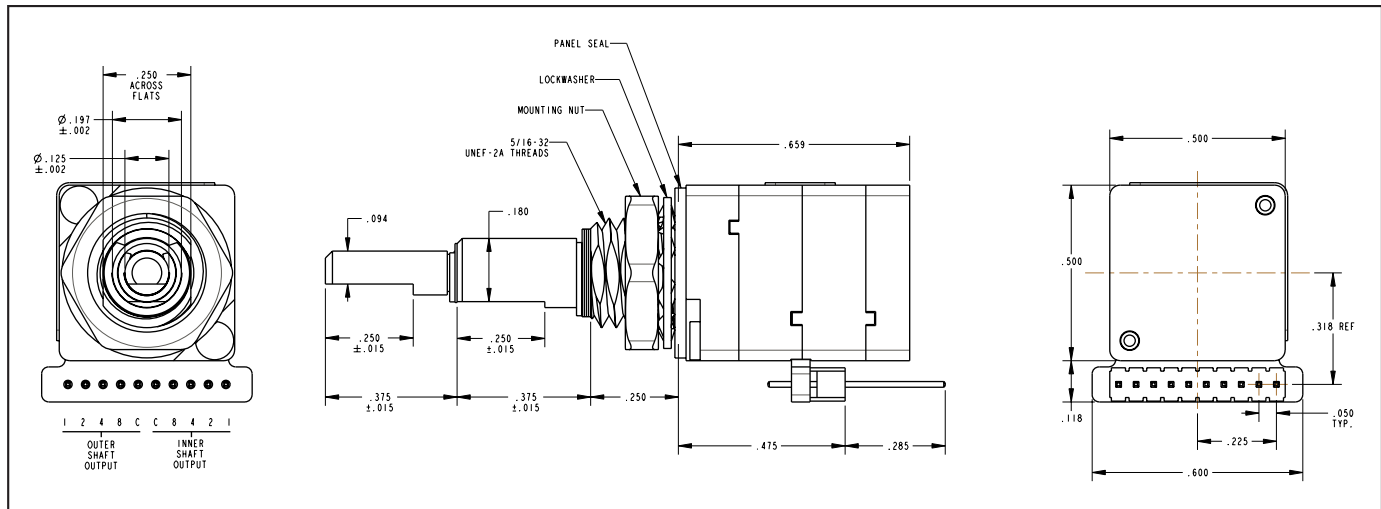
SERIES 20 Concentric Shafts

FEATURES

- Compact mechanical encoder with concentric shafts
- Output Code Choices
- Panel and Shaft Seal Option
- Manufactured to ISO 9001 and Military Standards
- Available with a fixed stop or continuous rotation
- Custom Configurations Available



DIMENSIONS in inches



SPECIFICATIONS

Electrical Ratings

Switching Loads:

150 mA, 115 Vac

200 mA, 28 Vdc

Life Expectancy:

25,000 cycles at rated loads

Contact Resistance: 300 mohms max.

(less than 100 mohms initially)

Insulation Resistance: 1000 Mohms min.

(10,000 Mohms initially)

Dielectric Strength: 500 Vac min.

Mechanical Ratings

Stop Strength: 5 in-lbs.

Rotational Torque:

5 in-oz outer shaft

3.5 in-oz inner shaft

Mounting Torque: 12 in-lbs. recommended

Operating Temperature Range:

-40°C to +85°C

Storage Temperature Range:

-55°C to +100°C

Immersion: 15 psi (33ft) for 30 minutes

Pin Dimensions: .018 inch square

Hardware Dimensions:

Lockwasher: .437inch diameter, .022inch thick

Hex Nut: 5/16-32 UNEF-2B Thread,

.437 inch across flats, .094 inch thick

Materials and Finishes

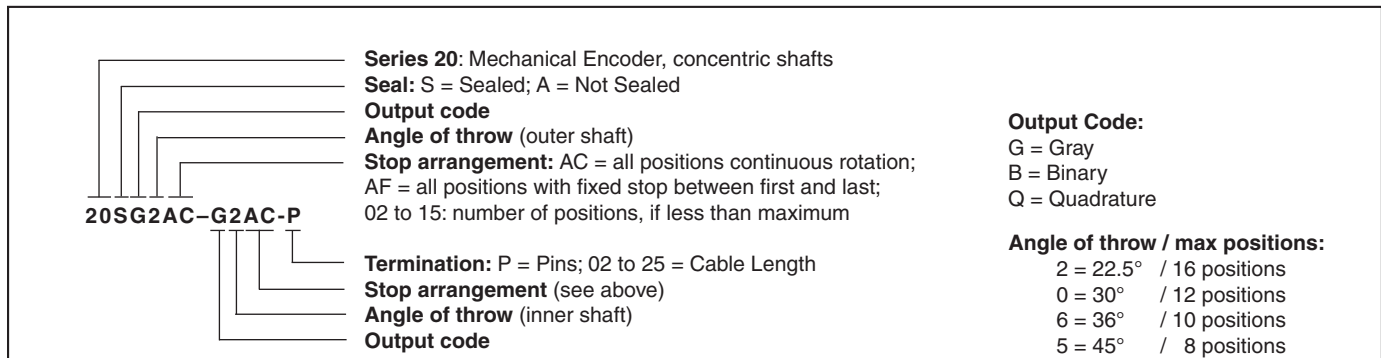
Terminal Pins: Phosphor bronze with tin over nickel plating

Panel Seal: Buna-N rubber, adhesive coated

Lockwasher: Spring steel with zinc plating

Hex Nut: Brass with tin/zinc plating

ORDERING INFORMATION (potential combinations)



Optical and Mechanical Encoders