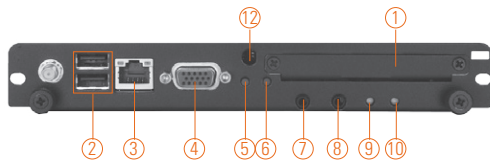


# OPS830

Intel® Atom™ Cedarview Open Pluggable Specification (OPS) Digital Signage Player



- |                  |                             |
|------------------|-----------------------------|
| 1. 2.5" HDD Slot | 7. Audio (Line-out)         |
| 2. USB 2.0 x 2   | 8. Audio (Mic-in)           |
| 3. Ethernet      | 9. Power indicator          |
| 4. VGA           | 10. HDD indicator           |
| 5. Power switch  | 11. JAE TX-25               |
| 6. Reset         | 12. WiFi antenna (optional) |



## Specifications

Main System	CPU	Intel® Atom™ D2550 processor
	Chipset	Intel® NM10
	System Memory	1 x 204-pin DDR3-1066 SO-DIMM max. up to 2 GB
Storage	Storage	1 x 2.5" SATA HDD tray
	BIOS	AMI UEFI BIOS
	Watchdog Timer	255 levels, 1 ~ 255 sec.
I/O	2 x USB 2.0	
	1 x 10/100/1000Mbps Ethernet	
	1 x VGA	
	1 x power on/off button	
	1 x reset button	
	1 x Audio (Line-out/ Mic-in)	
	1 x DVI/HDMI (via OPS JAE interconnector)	
	1 x DisplayPort (via OPS JAE interconnector) (Pure DP)	
	3 x USB 2.0 (via OPS JAE interconnector)	
	1 x Audio (Line-out, via OPS JAE interconnector)	
	1 x UART (TX/RX, via OPS JAE interconnector)	
Indicator	1 x LED for system power ON	
	1 x LED for HDD active	
WiFi	Supports 802.11 b/g/n (optional)	
Expansion Slot	1 x PCI Express Mini Card	
Dimensions	200 mm (7.87") (W) x 119 mm (4.68") (D) x 30 mm (1.18") (H)	
Packing Dimensions	270 mm (10.63") (W) x 197 mm (7.76") (D) x 70 mm (2.76") (H)	
Weight (net/gross)	1 kg (2.21lb)/1.5 kg (3.31lb)	
Environmental	0°C ~ +45°C (+32°F ~ +113°F) (With airflow 0.7 m/s)	

## Packing

1 x driver CD
1 x HDD mylar x 1
1 x thermal grease
1 x thermal pad
2 x M3 x 4 screw
2 x M4 x 6 screw

## Features

- Open Pluggable Specification (OPS) compliance
- Built-in Intel® Atom™ processor D2550
- DDR3-1066 SO-DIMM max. up to 2 GB
- PCIe Mini Card supported
- Easy maintenance: pluggable HDD and easy-to-change DRAM
- VGA connector



▲ Rear view

## Optional EOS Installation

Windows® 7 Embedded

## Optional OS Installation

Windows® 7

## Ordering Information

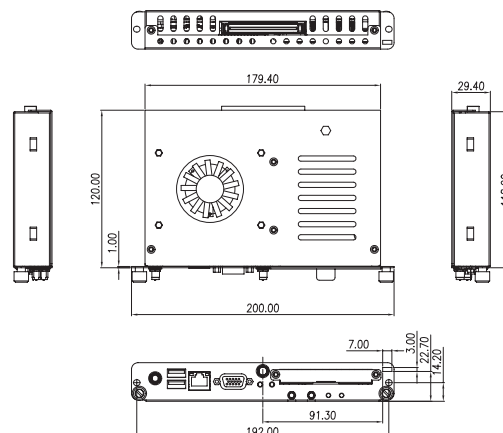
### Standard

OPS830-D2550 OPS digital signage player supports Intel® Atom™ processor D2550

### Optional

OPF320	31.5" full HD digital signage display
OPF321	31.5" LED backlight full HD digital signage display
AX93157	OPS docking board

## Dimensions



\* All specifications and photos are subject to change without notice.

# Mouser Electronics

Authorized Distributor

Click to View Pricing, Inventory, Delivery & Lifecycle Information:

[Axiomtek:](#)

[E293157100](#) [OPS830](#)