

Model NO.	LCCE-017■112	Model Name	Constant Current Power Supply
Part NO.	PLCCE0017■112	SIZE	95mm * 40mm * 25mm



FEATURES

- ◆ AC Input 100~277Vac
- ◆ Protection: SCP / OTP / OVP
- ◆ High Operating ambient Temp: -20°C ~ +60°C
- ◆ Safety: Meet UL / Meet TUV / Meet PSE
- ◆ EMC: CE / FCC
- ◆ Comply with Indoor/Outdoor Waterproof (IP 67)
- ◆ Dimension (mm): L*W*H: 95mm * 40mm * 25mm
- ◆ ROHS
- ◆ Power Factor: >0.95@115VAC / >0.9@230VAC

Module : LCCE-017■112

*,# =SEE NOTES BELOW

*(8)	SPECIFICATION	LCCE-017■112		
		min.	norm.	max.
	DC OUTPUT VOLTAGE (V)		18	
*	PRESET ACCURACY (%) *(7)		10	
*	OUTPUT CURRENT(A) *(5)		1.05	
*	O/P NOISE (P-P, V) *(3)		3	
*	LINE REGULATION (%) *(6)		10	
	DC OUTPUT POWER	18.9 W		
	EFFICIENCY(typ @Full Load)	80%		
	SETUP	3000ms at full load 115VAC/230VAC		
	INPUT VOLTAGE RANGE	90-305VAC, 127-431VDC, Normal : 100-277VAC		
	INPUT FREQUENCY	Range:47-63Hz, Normal : 50-60Hz		
	INRUSH CURRENT (typ)	COLD START 5A @ 230VAC		
	AC CURRENT	0.4A/110VAC		
	LEAKAGE CURRENT	<0.7mA/264VAC		
	SHORT CIRCUIT PROTECTION	The SCP will restart automatically after the fault condition is removed.		
	OVER TEMP. PROTECTION	The power will derate on the current limit.		
	OVER V, PROTECTION	The OVP is latched shutdown mode.		
*	OPERATING TEMP.*(4)	-20 to +60°C @full load		
	STORAGE TEMPERATURE	-40 to +80°C		
	RELATIVE HUMIDITY	10 to +90%		
	TEMP. COEFFICIENT	0.03% / °C (0-50°C, typ)		
	SAFETY	Meet UL / Meet TUV EN61347-2-13 / Meet PSE		
	EMI	CE EN55015 / FCC Part15		
	DIMENSIONS	95mm * 40mm * 25mm (L*W*H)		

NOTES : (1)All parameters not specially mentioned are measured 230VAC input.

(2)All specifications Typical @25°C, unless otherwise noted, at normal line and load.

(3)Ripple and Noise measured directly at pins/terminals at nom. load, @20MHz bandwidth.

(4)Specified for free-air convection cooling.

(5)Minimum load is NOT required for proper operation .

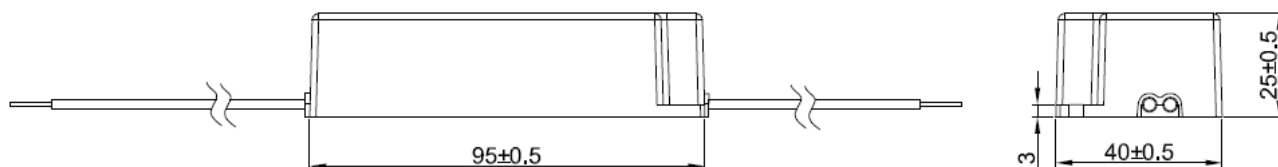
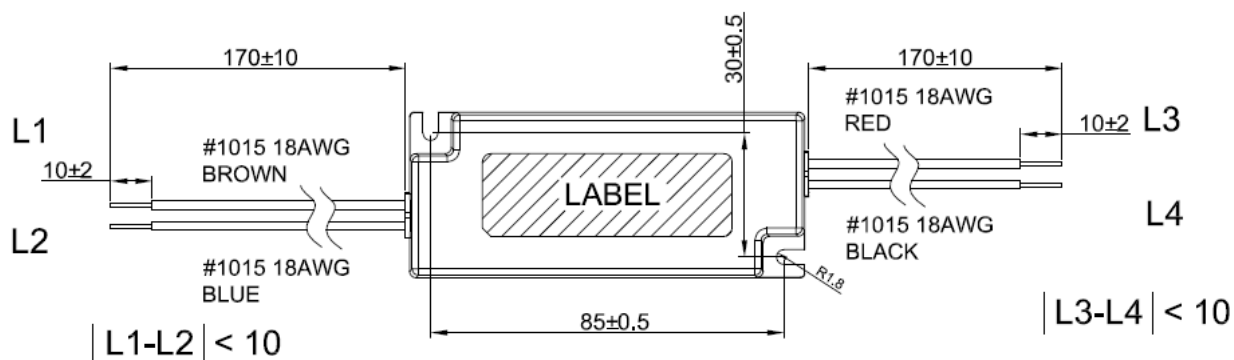
(6)Line regulation measured from 100VAC to 277VAC.

(7)Preset accuracy measured at normal load, 120VAC input.

(8)100% Production Tested.

Model NO.	LCCE-017■112	Model Name	Constant Current Power Supply
Part NO.	PLCCE0017■112	SIZE	95mm * 40mm * 25mm

Dimensions



Unit : mm

✳Reference