

FAST RECOVERY DIODES

- **Junction Size:** Rectangular 350 x 230 mils
- **Wafer Size:** 4"
- **V_{RRM} Class:** 1000 to 1200 V
- **Passivation Process:** Glassivated MOAT
- **Reference IR Packaged Part:** 60EPF Series

Major Ratings and Characteristics

Parameters	Units	Test Conditions
V _{FM} Maximum Forward Voltage	1300 mV	T _J = 25°C, I _F = 60 A
V _{RRM} Reverse Breakdown Voltage Range	1000 to 1200 V	T _J = 25°C, I _{RRM} = 100 μA (1)

(1) Nitrogen flow on die edge.

Mechanical Characteristics

Nominal Back Metal Composition, Thickness	Cr - Ni - Ag (1 KA - 4 KA - 6 KA)
Nominal Front Metal Composition, Thickness	100% Al, (20 μm)
Chip Dimensions	350 x 230 mils (8.89x5.84 mm) - see drawing
Wafer Diameter	100 mm, with std. < 110 > flat
Wafer Thickness	260 μm
Maximum Width of Sawing Line	45 μm
Reject Ink Dot Size	0.25 mm diameter minimum
Ink Dot Location	See drawing
Recommended Storage Environment	Storage in original container, in dessicated nitrogen, with no contamination

IR340LM..CS05CB Series

Bulletin I0114J 05/00

International
 Rectifier

Ordering Information Table

Device Code

IR	340	L	M	12	C	S05	CB
①	②	③	④	⑤	⑥	⑦	⑧

1 Type: Diode
2 Type: Diode
3 Metallization: C = Aluminium (Anode) - Silver (Cathode)
4 None = Probed Die in chip carrier
5 None = Probed Die in chip carrier

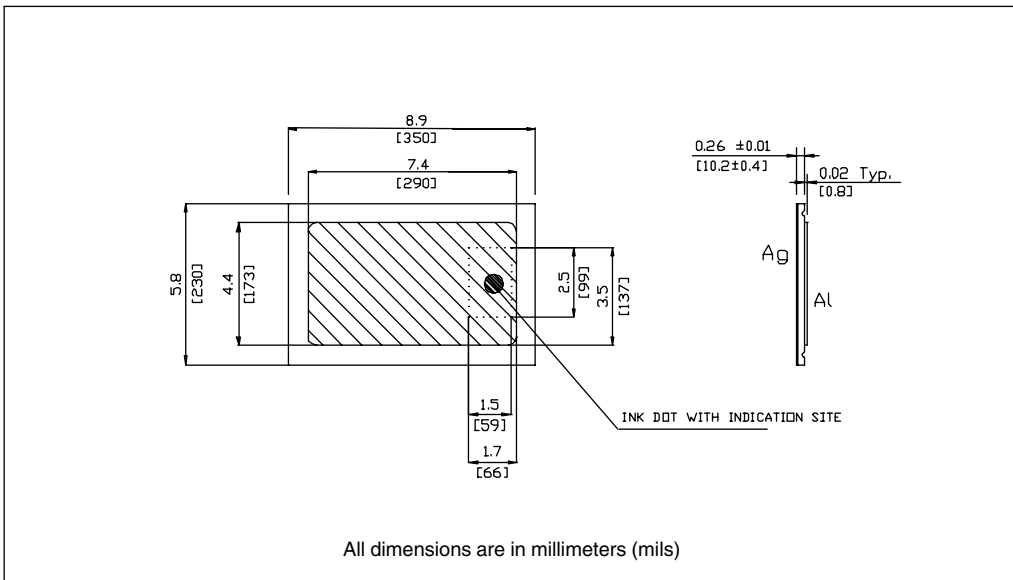
RRM

Available Class

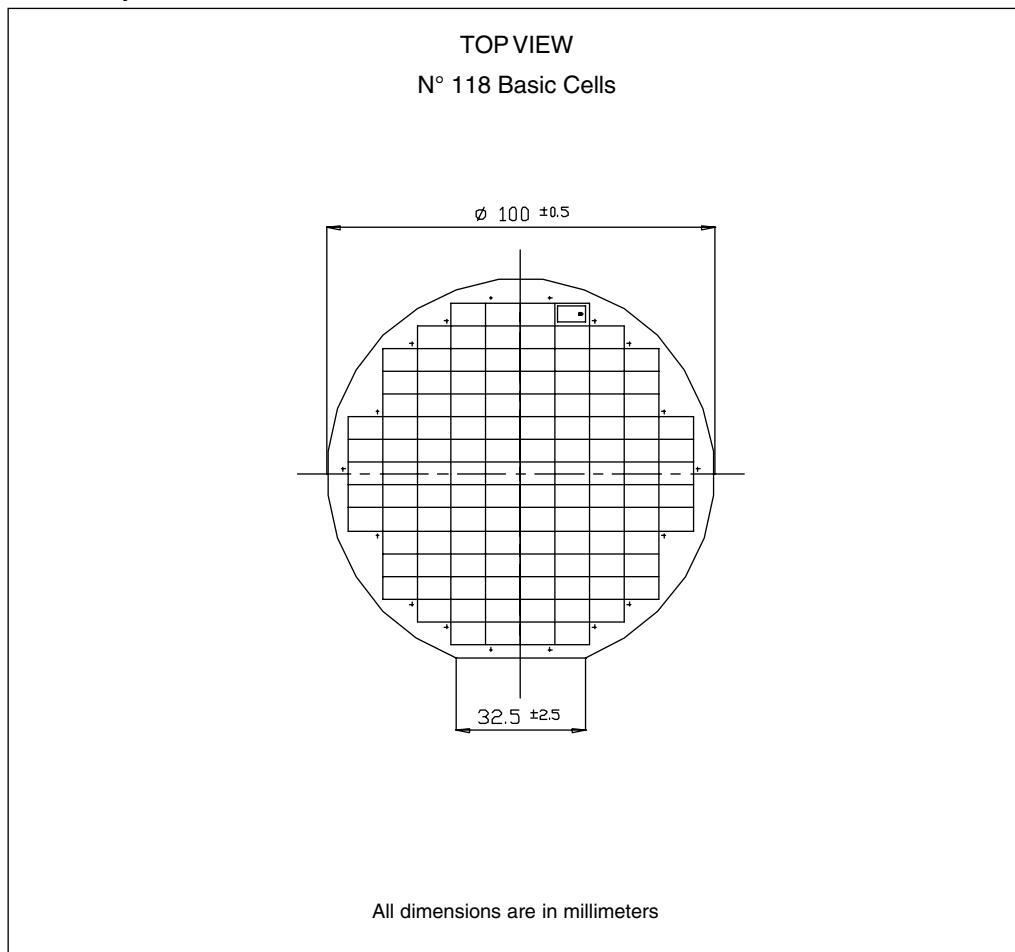
10 = 1000 V

12 = 1200 V

Outline Table



Wafer Layout





Notice

The products described herein were acquired by Vishay Intertechnology, Inc., as part of its acquisition of International Rectifier's Power Control Systems (PCS) business, which closed in April 2007. Specifications of the products displayed herein are pending review by Vishay and are subject to the terms and conditions shown below.

Specifications of the products displayed herein are subject to change without notice. Vishay Intertechnology, Inc., or anyone on its behalf, assumes no responsibility or liability for any errors or inaccuracies.

Information contained herein is intended to provide a product description only. No license, express or implied, by estoppel or otherwise, to any intellectual property rights is granted by this document. Except as provided in Vishay's terms and conditions of sale for such products, Vishay assumes no liability whatsoever, and disclaims any express or implied warranty, relating to sale and/or use of Vishay products including liability or warranties relating to fitness for a particular purpose, merchantability, or infringement of any patent, copyright, or other intellectual property right.

The products shown herein are not designed for use in medical, life-saving, or life-sustaining applications. Customers using or selling these products for use in such applications do so at their own risk and agree to fully indemnify Vishay for any damages resulting from such improper use or sale.

International Rectifier®, IR®, the IR logo, HEXFET®, HEXSense®, HEXDIP®, DOL®, INTERO®, and POWIRTRAIN® are registered trademarks of International Rectifier Corporation in the U.S. and other countries. All other product names noted herein may be trademarks of their respective owners.