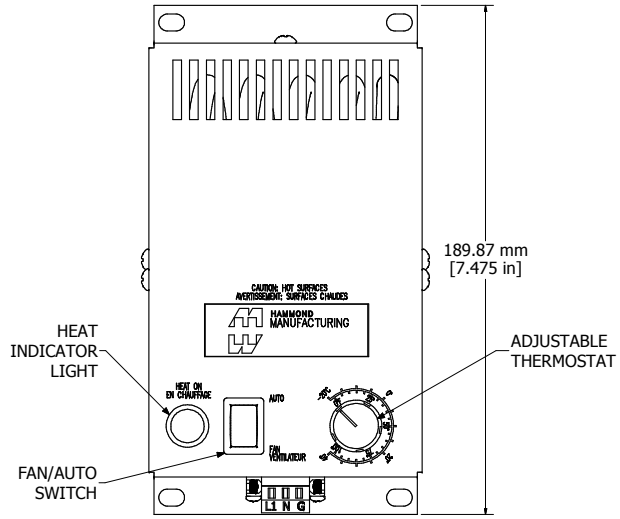
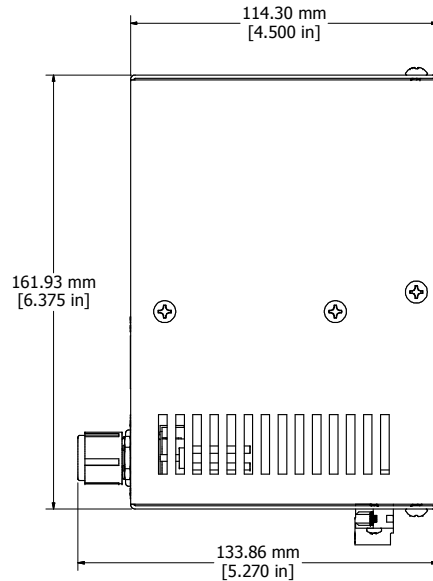


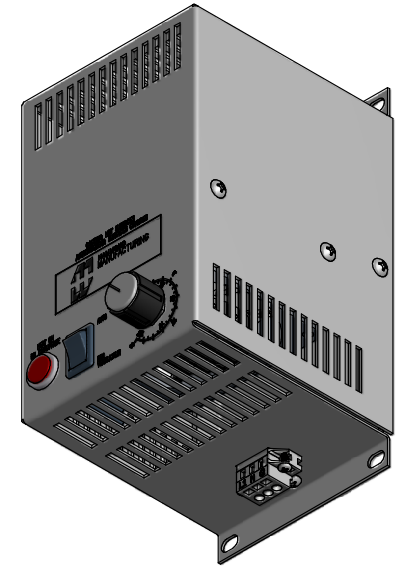
8 7 6 5 4 3 2 1



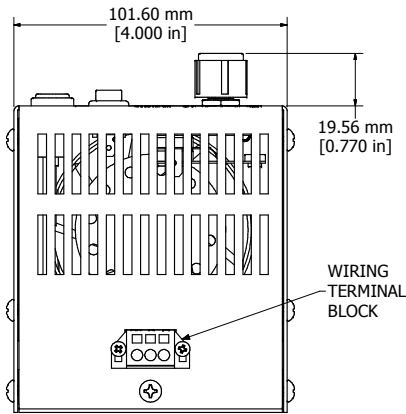
ASSEMBLY - VIEW FROM FRONT



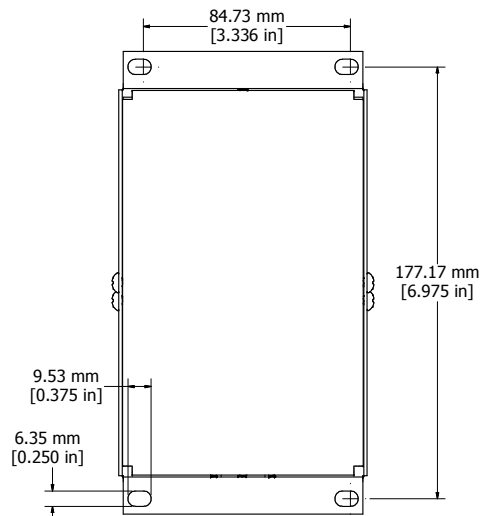
ASSEMBLY - VIEW FROM SIDE



ISOMETRIC VIEW



ASSEMBLY - VIEW FROM BOTTOM



ASSEMBLY - VIEW FROM BACK

<b>FLHTF800A115</b>
Housing - Aluminum Alloy
Rating - 120 VAC, 60 Hz, 800 W
Approvals - UL Recognized Standard UL 508A - CSA Standard C22.2 No. 88



8 7 6 5 4 3 2 1