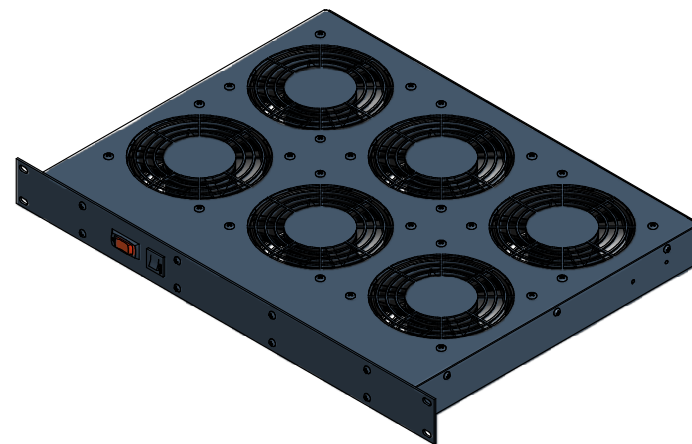
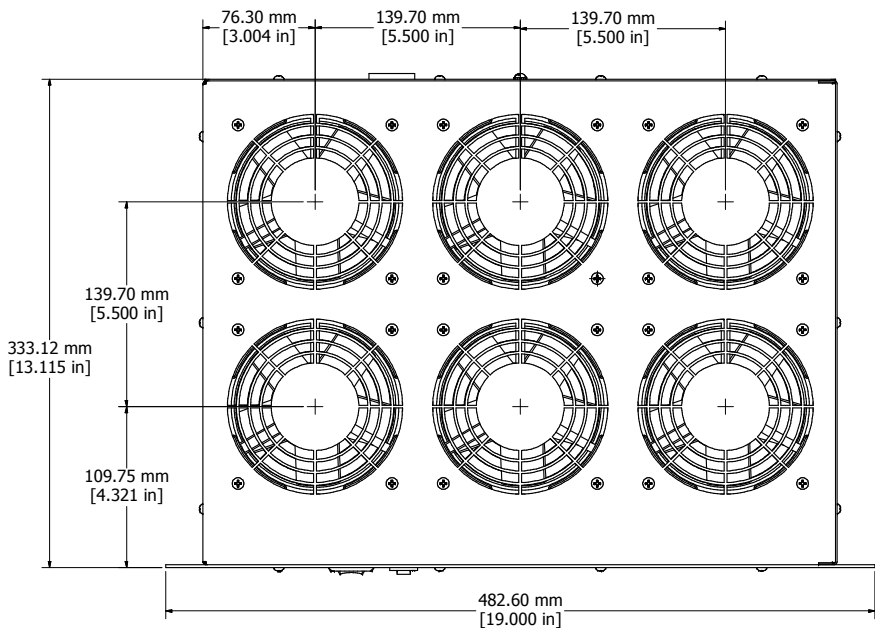


10A, 230V IEC 320 - C14  
INLET RECEPTACLE

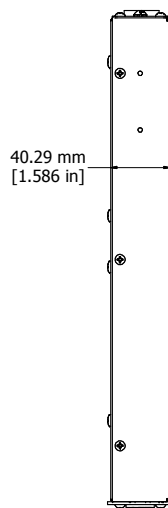
ASSEMBLY - VIEW FROM BACK



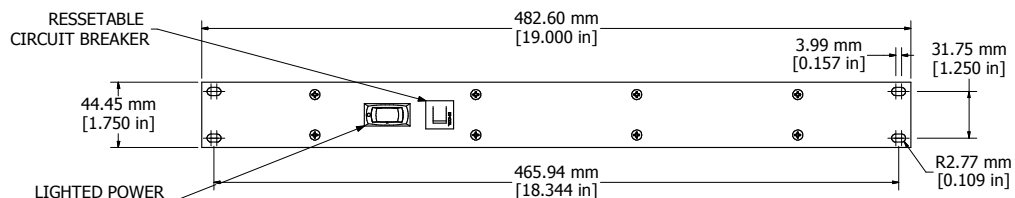
ISOMETRIC VIEW



ASSEMBLY - VIEW FROM TOP



ASSEMBLY - VIEW FROM SIDE



ASSEMBLY - VIEW FROM FRONT

<b>FT600HA1220BK</b>
Finish - Black Textured Powder Paint
Rated - 230 VAC, 50/60 Hz, 3 Amps
Free Flow Air Delivery - 600 CFM
<b>ACCESSORIES INCLUDED</b>
Mounting Instructions
Rear Mount Brackets & Hardware
Extension Brackets & Hardware

