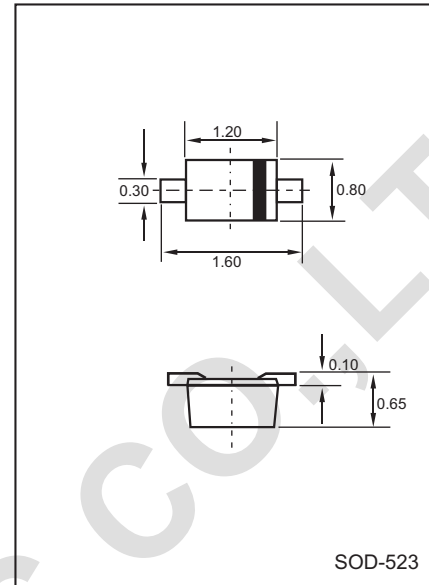


### BAS516 Switching Diodes

#### FEATURES

- Small surface mounting type
- High switching speed

Marking: 61



#### Maximum Ratings and Electrical Characteristics, Single Diode @T<sub>A</sub>=25°C

Parameter	Symbol	Limits	Unit
DC reverse voltage	V <sub>R</sub>	75	V
Mean rectifying current	I <sub>O</sub>	250	mA
Peak forward surge current	I <sub>FSM</sub>	0.5	A
Junction temperature	T <sub>j</sub>	150	°C
Storage temperature	T <sub>stg</sub>	-65~+150	°C

#### Electrical Ratings @T<sub>A</sub>=25°C

Parameter	Symbol	Min.	Typ.	Max.	Unit	Conditions
Forward voltage	V <sub>F</sub>			0.715	V	I <sub>F</sub> =1mA
				0.855		I <sub>F</sub> =10mA
				1		I <sub>F</sub> =50mA
				1.25		I <sub>F</sub> =150mA
Reverse current	I <sub>R</sub>			0.03	μA	V <sub>R</sub> =25V
				1		V <sub>R</sub> =75V
Capacitance between terminals	C <sub>T</sub>			1	pF	V <sub>R</sub> =0, f=1MHZ
Reverse recovery time	t <sub>rr</sub>			4	ns	I <sub>F</sub> =10mA, R <sub>L</sub> =100Ω