

4

3

2

1

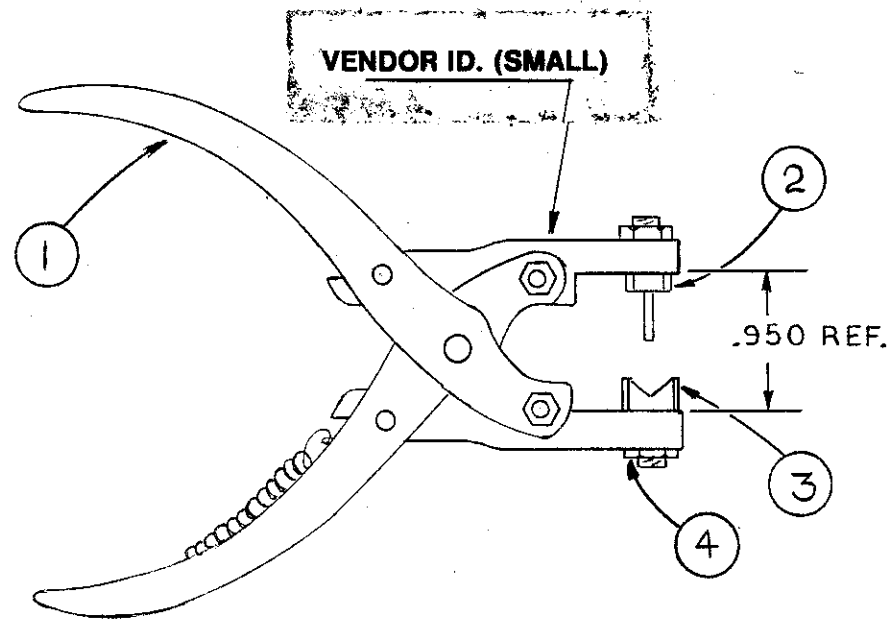
REV. F
9414

NOTES:

1. THIS TOOL IS DESIGNED TO REMOVE THE ROLL PIN THAT SECURES THE KNOB TO THE SHAFT ON JT. AND JTC. OPTIONED SERIES MRA. MRE. MRAC. XMRE. XMRA. AND XAC. CONNECTORS, EXEPT SIZES 5-3, 8 AND 104.
2. ITEM "5" TO BE SUPPLIED BY WINCHESTER.
3. WINCHESTER TO MARK TOOL, USING BLACK EPOXY INK, WITH CATALOG NUMBER AND THE REVISION LEVEL THAT THE TOOL WAS BUILT TO. I.E. 107-1049-E
4. QUALITY ASSURANCE SHALL FUNCTIONALLY TEST EACH TOOL. SUGGESTED TEST PARTS AND QUANTITIES (PARTS CAN BE REUSED SEVERAL TIMES) # 311-6 ROLL PIN (2 PER 10 TOOLS BEING TESTED) # 2678 KNOB (1 PER 10 TOOLS BEING TESTED). IT IS RECOMMENDED THAT THE VENDOR FUNCTIONALLY TEST EACH TOOL (TEST PARTS MAY BE PROCURED THROUGH THE WINCHESTER PURCHASING DEPARTMENT).

WINCHESTER TO MARK TOOL WITH CATALOG NO. AND REVISION LEVEL (E) THAT THE TOOL WAS BUILT TO: 107-1049
REV. (F)

PARTS LIST				
ITEM	QTY	SIZE	PART NO.	DESCRIPTION
1	1	B	9413-1	FRAME ASSY
2	1	A	9414-1	K.O. PIN
3	1	A	9414-2	VEE BLOCK
4	2	A	9414-3	NUT
	1		42880	INSTRUCTIONS

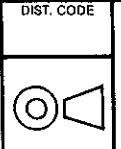


THIS DRAWING, THE DESIGNS AND IDEAS EMBODIED IN THE DEVICE TO WHICH IT RELATES, AND THE METHOD OF PRODUCING THE DEVICE, ARE THE PROPERTY OF WINCHESTER ELECTRONICS DIVISION OF LITTON SYSTEMS INCORPORATED AND SHALL NOT BE EMPLOYED, COPIED, OR DISCLOSED TO ANYONE IN ANY MANNER WITHOUT THE CONSENT OF WINCHESTER ELECTRONICS

REV.	ZONE	DESCRIPTION	BY	APPD	DATE
E		RE-DRAWN & NOTES ADDED INSTRUCTIONS ADDED.	BN		9/30/87
F		DELETED REV. BLOCK. ECR #3407	BN		10/5/11

UNLESS OTHERWISE SPECIFIED: DIMENSIONS ARE IN INCHES.

TOLERANCES
 DECIMALS XX ±
 .XXX ±
 ANGLES ± SCALE:



Litton
 Winchester Electronics
 400 PARK ROAD
 WATERTOWN, CONNECTICUT
 06795

MATERIAL		TITLE	
FINISH		ROLL PIN REMOVAL TOOL	
DRAWN	DATE	CHECKED	DATE
99	9/30/87		
APPROVED	DATE	APPROVED	DATE
G. Adams	9/30/87		

B	9414	SHT. / OF /	REV. F
----------	------	-------------	--------

4

3

2

1