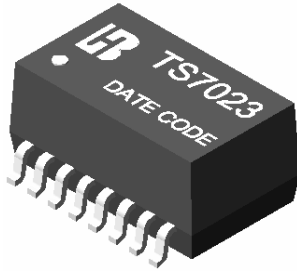


10 BASE-T SMD ETHERNET TRANSFORMER

P/N:TS7023 DATA SHEET

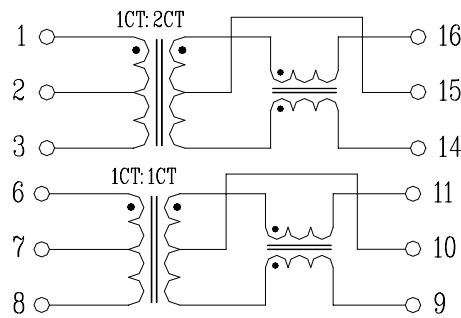
Feature



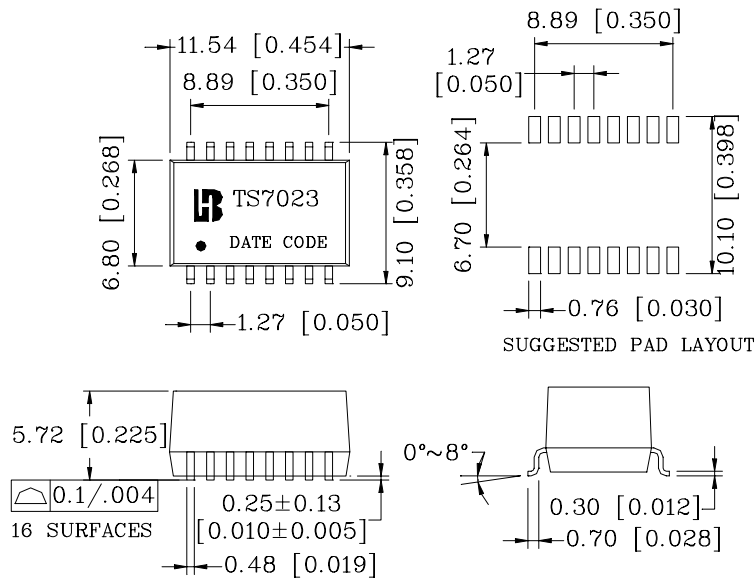
- Designed for use in (can) car area network.
- Dual channel low cost.
- Operation temperature range: 0°C to +70°C.
- Storage temperature range: -25°C to +125°C.

Electrical Specifications @ 25°C							
Part Number	Turns Ratio (±5%)		PRI OCL @100KHz/50mVrms (uH Min)	L.L (uH Max)	C _{www} (pFMax)	DCR (Ω Max)	HI-POT (Vrms)
	(1-2-3):(16-15-14)	(6-7-8):(11-10-9)	(1-3)&(6-8)			(1-3)&(6-8)	
TS7023	1CT:2CT	1CT:1CT	200	0.3	12	1.0	1500

Schematic



Mechanical



Units: mm[Inches] Tolerance: xx.x0±0.25[0.010]
0.xx±0.05[0.002]