



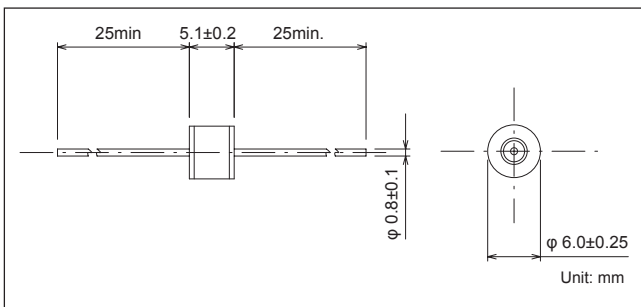
Features

- Quick response for surge.
- High impulse current capacity.
- It can withstand alternating current.
- Excellent insulation resistance and small capacitance.
- Recommendation of ITU-T conformity.

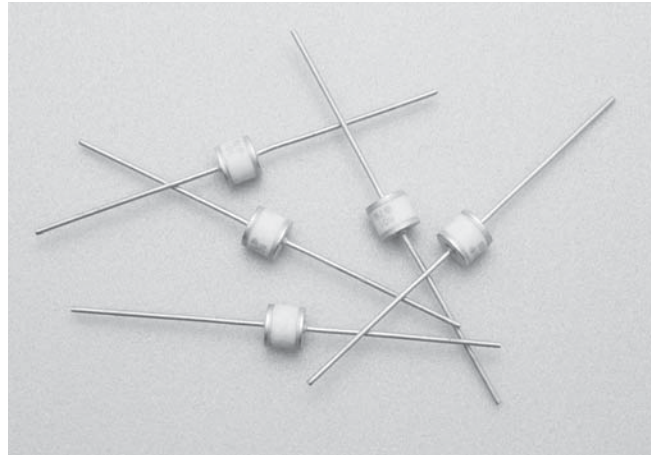
Applications

- Telephone, PBX, Wireless base station, Optical transmission equipments, CATV transmission equipments, Fire alarm systems and Home security systems. RoHS restriction complied.

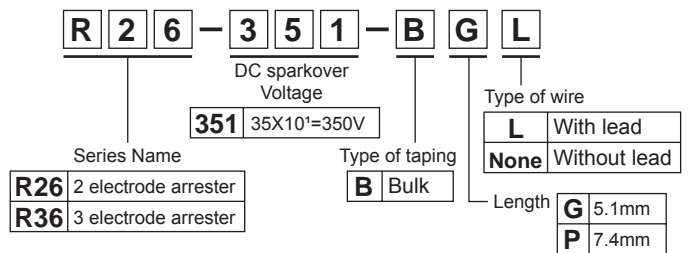
Dimensions



Safety Standard		File No.
UL	:UL497B	E139599
	:UL1449	E332107



Model numbering system



Electrical Specifications (Low Voltage Type)

(Conforms to ITU-T)

Safety Standard		Model Number	DC Sparkover Voltage 100V/s ~ 500V/s (V) ±20%	Impulse Sparkover Voltage 100V/μs max. (V)	Impulse Discharge Current 8/20μs (A)	Alternating Discharge Current 50Hz, 1s 10 times (A)	Impulse Life Test 10/1,000μs 50A (times)	Insulation Resistance min. (MΩ)	Capacitance max. (pF)
UL 497B	UL 1449								
O	-	R26-900-BGL	90	450	5,000	5	300	10 ⁴	1.0
O	-	R26-151-BGL	150	500					
O	-	R26-231-BGL	230	600					
O	-	R26-251-BGL	250	600					
O	O ^{*1}	R26-301-BGL	300	650					
O	O ^{*1}	R26-351-BGL	350	750					
O	O ^{*1}	R26-401-BGL	400	800					
O	O ^{*1}	R26-471-BGL	470	900					
O	O ^{*1}	R26-601-BGL	600	1,300					

Electrical Specifications (High Voltage Type)

Safety Standard	Model Number	DC Sparkover Voltage 500V/s (V) ±20%	Impulse Discharge Current 8/20μs (A)	Impulse Life Test 8/20μs 500A (times)	Insulation Resistance min. (MΩ)	Capacitance max. (pF)	Withstand Voltage test
UL 1449							
O ^{*1} _{*2}	R26-801-BGL	800	5,000	300	10 ⁴	1.0	-
O ^{*1} _{*2}	R26-102-BGL	1,000					
O ^{*1} _{*2}	R26-152-BGL	1,500					
O ^{*1} _{*2}	R26-242-BGL	2,400					
O ^{*1} _{*2}	R26-302-BGL	3,000					
O ^{*1} _{*2}	R26-362-BGL	3,600					
							AC1,500V 60s
							AC1,800V 3s

^{*1} Rated voltage AC125V: Approved if it is connected to UL approved varistor (V1.0mA≥270V, D≥φ 14mm).

^{*2} Rated voltage AC250V: Approved if it is connected to UL approved varistor (V1.0mA≥470V, D≥φ 14mm).