

32-bit Single Chip Microcontroller

- High-speed 32-bit RISC Core
- Built-in LCD Controller
- Built-in SDRAM Controller
- Multiply Accumulation
- 10-bit ADC
- Built-in 8K-byte RAM

■ DESCRIPTIONS

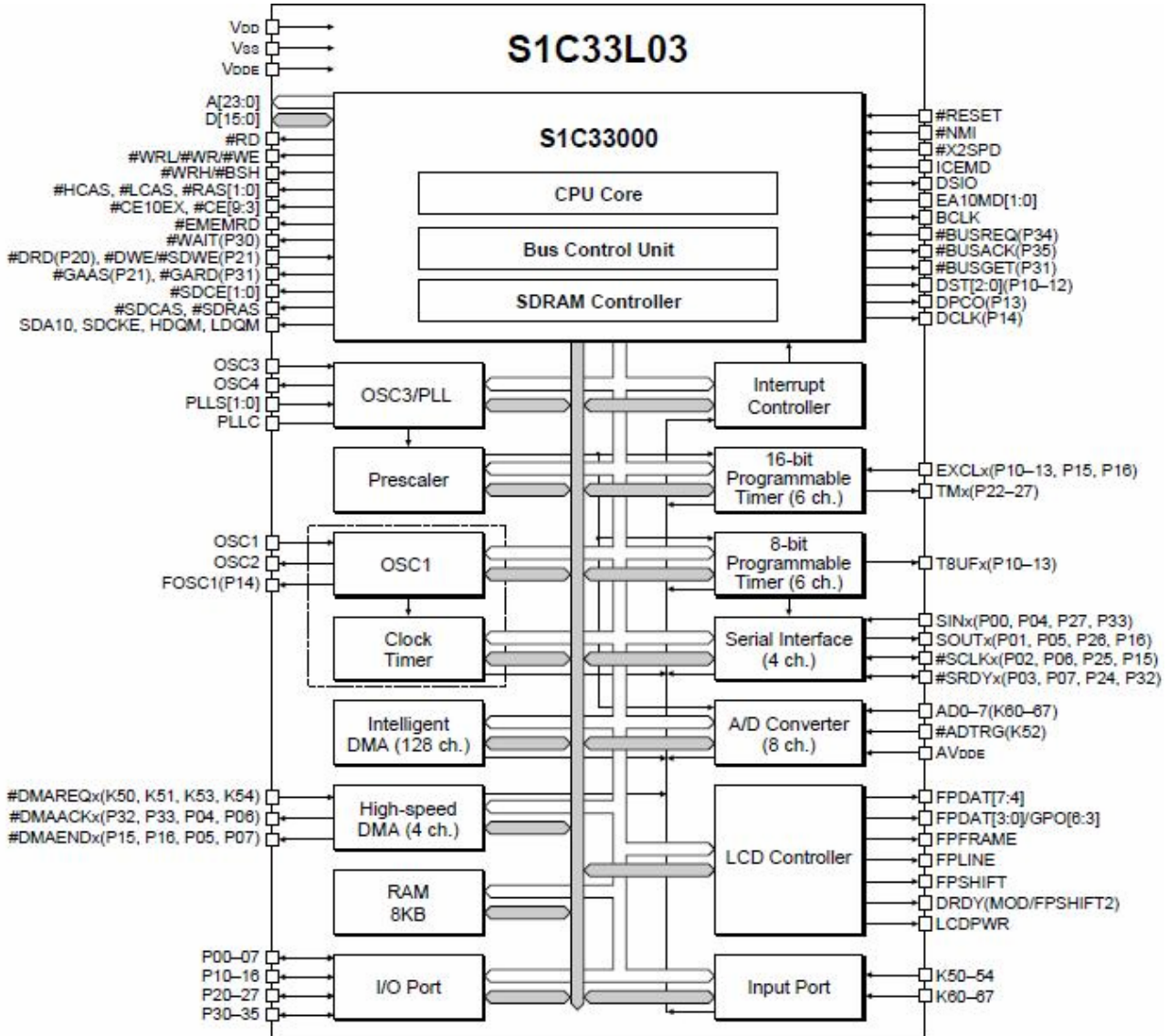
The S1C33L03 is a CMOS 32-bit microcontroller composed of a CMOS 32-bit RISC core, RAM, DMA, timers, SIO, PLL, LCD controller, SDRAM controller and other circuits. The S1C33L03 can be operated with high speed and spend little current. With the ADC, PWM and the MAC function, the S1C33L03 is suitable for voice applications and PDAs.

■ FEATURES

- CMOS LSI 32-bit parallel processing S1C33000 RISC core
- Main clock 50MHz (Max., up to 12.5MHz external clock input)
- Sub clock 32.768kHz (Typ., crystal)
- Instruction set 16-bit fixed length, 105 instructions
(MAC instruction is included, 2 cycles)
- Internal RAM size 8,192 bytes
- LCD controller DMA type
4/8-bit monochrome LCD interface
1, 2 or 4 bits/pixel; 2, 4, or 16-level gray-scale display
- SDRAM controller Supports 1M × 16-bit to 16M × 16-bit SDRAMs
Capable of access either in 8 or 16 bits
Capable of burst reads and single writes
- Clock timer 1 channel
- Programmable timer 8 bits × 6 channels and 16 bits × 6 channels
- Watchdog timer Realized with a 16-bit programmable timer
- PWM timer Realized with a 16-bit programmable timer
- Serial interface 4 channels
Clock synchronization type and asynchronization type are selectable.
Usable as an infrared ray (IrDA) interface.
- 10-bit A/D converter Successive approximation type, 8 input channels
- High-speed DMA 4 channels
- Intelligent DMA 128 channels
- I/O port Input port : 13 bits
I/O port : 29 bits
- Interrupt controller External interrupts : 10 types
Internal interrupts: 29 types
- External bus interface 24-bit address bus, 16-bit data bus, 7 chip enable pins
DRAM, SDRAM and burst ROM may be connected directly.
- Shipping form QFP20-144pin
- Supply voltage Core voltage : 1.8 to 3.6V
I/O voltage : 1.8 to 5.5V
- Current consumption HALT state : 100mW (3.3V, 50MHz Typ.)
RUN state : 200mW (3.3V, 50MHz Typ.)

S1C33L03

Block Diagram



NOTICE:

No part of this material may be reproduced or duplicated in any form or by any means without the written permission of Seiko Epson. Seiko Epson reserves the right to make changes to this material without notice. Seiko Epson does not assume any liability of any kind arising out of any inaccuracies contained in this material or due to its application or use in any product or circuit and, further, there is no representation that this material is applicable to products requiring high level reliability, such as, medical products. Moreover, no license to any intellectual property rights is granted by implication or otherwise, and there is no representation or warranty that anything made in accordance with this material will be free from any patent or copyright infringement of a third party. This material or portions thereof may contain technology or the subject relating to strategic products under the control of the Foreign Exchange and Foreign Trade Law of Japan and may require an export license from the Ministry of Economy, Trade and Industry or other approval from another government agency.

All brands or product names mentioned herein are trademarks and/or registered trademarks of their respective companies.

©Seiko Epson Corporation 2009, All rights reserved.

SEIKO EPSON CORPORATION

SEMICONDUCTOR OPERATIONS DIVISION

IC Sales Department

IC International Sales Group

421-8 Hino, Hino-shi, Tokyo 191-8501, JAPAN
Phone: +81-42-587-5814 FAX: +81-42-587-5117

Epson semiconductor website

http://www.epson.jp/device/semicon_e/

Document code: 411875200

First issue Dec, 2009