

Primary lithium battery

LM 17130

3 V Primary lithium-manganese dioxide (Li-MnO₂)

High power

1/3 A-size spiral cell

For applications requesting excellent voltage response and operating life in -40°C/+70°C environments.



Benefits

- High voltage response, stable during most of the lifetime of the application
- Minimum voltage delay after long dormant periods
- Competitive capacity at high current and low temperature
- Easy integration into compact systems
- Low self-discharge rate
(less than 2% after 1 year of storage at +20°C)

Key features

- Stainless steel container
- Hermetic seal construction
- Integrated safety vent
- Non-corrosive electrolyte
- Non-restricted for transport

Main applications

- Measuring equipment
- Industrial applications
- Professional electronics

Cell size references

1/3 A

Electrical characteristics

(typical values relative to cells stored for one year or less at +30°C max.)

Nominal capacity		500 mAh
<i>(at 4.5 mA + 20°C 2.0 V cut-off. The capacity restored by the cell varies according to current drain, temperature and cut-off)</i>		
Open Circuit Voltage	(at +20°C)	approx. 3.2 V
Nominal voltage	(under 1 mA at +20°C)	3.0 V
Pulse capability		400 mA
Maximum recommended continuous current		300 mA
<i>(to maintain cell heating within safe limits)</i>		
Storage	(recommended) (for more severe conditions, consult Saft)	+30°C (+86°F) max
Operating temperature range		-40°C/+70°C (-40°F/+158°F)
<i>(Operation below ambient T may lead to reduced capacity and lower voltage readings)</i>		

Physical characteristics

Diameter (max)	16.7 mm (0.658 in)
Height (max)	16.33 mm (0.643 in)
Typical weight	8 g (0.28 oz)
Li metal content	approx. 0.2 g

Available termination suffix

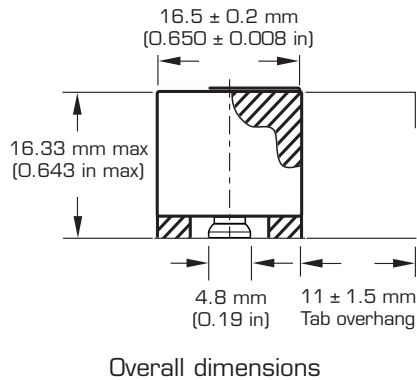
CN, CNR
FL

radial tabs
flying leads... etc.

(Other cell finishes available, consult Saft)



LM 17130



Storage

- Keep storage area clean, cool, dry and ventilated.

Warning

- Fire, explosion and burn hazard.
- Do not recharge, short circuit, crush, disassemble, heat above 70°C (158°F), incinerate, or expose contents to water.
- Do not solder directly to the cell (use tabbed cell versions instead).

Saft

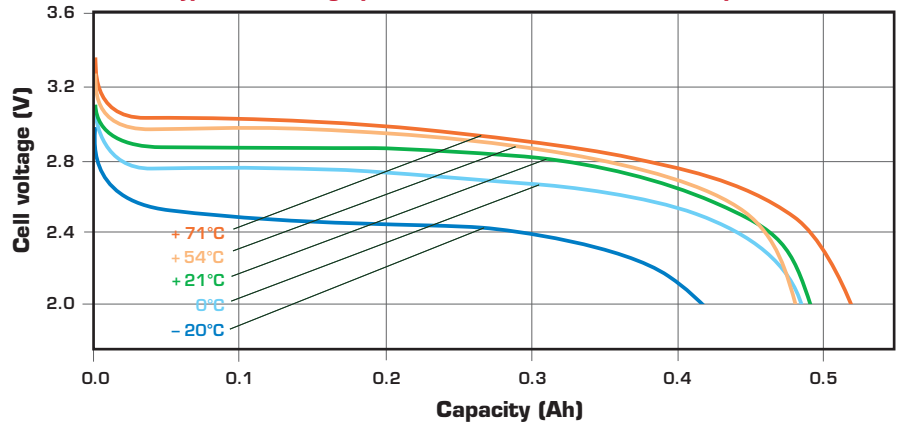
Specialty Battery Group

12, rue Sadi Carnot
93170 Bagnole - France
Tel.: +33 (0)1 49 93 19 18
Fax: +33 (0)1 49 93 19 69

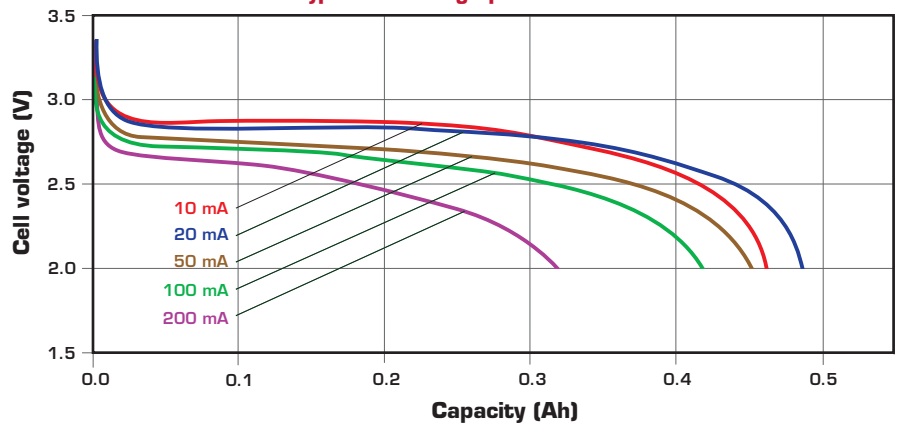
313 Crescent Street
Valdese, NC 28690 - USA
Tel.: +1 (828) 874 4111
Fax: +1 (828) 879 3981

www.saftbatteries.com

Typical discharge profiles under 20 mA versus temperature



Typical discharge profiles at +20°C



Doc. N° 31089-2-0908

Information in this document is subject to change without notice and becomes contractual only after written confirmation by Saft.

For more details on primary lithium technologies please refer to Primary Lithium Batteries Selector Guide Doc N° 31048-2.

Published by the Communications Department.

Photo credit: Saft

Société anonyme au capital de 31 944 000 €
RCS Bobigny B 383 703 873

Produced by Arthur Associates Limited.



SAFT