



TAI-SAW TECHNOLOGY CO., LTD.

No. 3, Industrial 2nd Rd., Ping-Chen Industrial District,
Taoyuan, 324, Taiwan, R.O.C.

TEL: 886-3-4690038 FAX: 886-3-4697532

E-mail: tstsales@mail.taisaw.com Web: www.taisaw.com

Approval Sheet For Product Specification

Issued Date: March, 03, 2009

Product Name: SAW Filter 453.695MHz SMD 3.8*3.8 mm (BW=5MHz)

TST Parts No.: :TA0940A

Customer Parts No.: _____

Company: _____
Division: _____
Approved by : _____
Date: _____

Checked by: Paul Ni *Paul*

Approval by: Francis Chen *(Signature)*

Date: 2009/03/03



TAI-SAW TECHNOLOGY CO., LTD.

No. 3, Industrial 2nd Rd., Ping-Chen Industrial District,
Taoyuan, 324, Taiwan, R.O.C.

TEL: 886-3-4690038 FAX: 886-3-4697532

E-mail: tstsales@mail.taisaw.com Web: www.taisaw.com

SAW Filter 453.695 MHz

MODEL NO.: TA0940A

REV. NO : 1.0

A. MAXIMUM RATING:

1. Input Power Level: 10 dB_m
2. DC voltage: 3 V
3. Operating Temperature: +15°C to +35°C
4. Storage Temperature: -40°C to +85°C

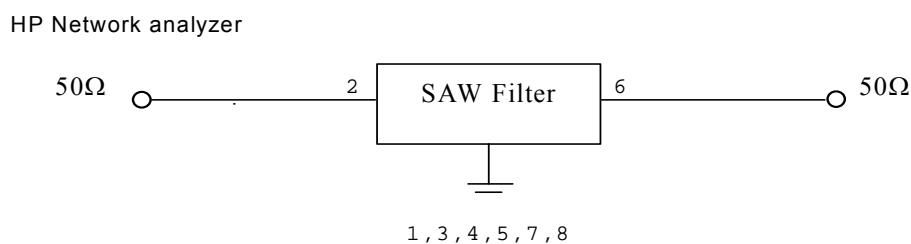
RoHS Compliant
Lead free
Lead-free soldering

B. ELECTRICAL CHARACTERISTICS:

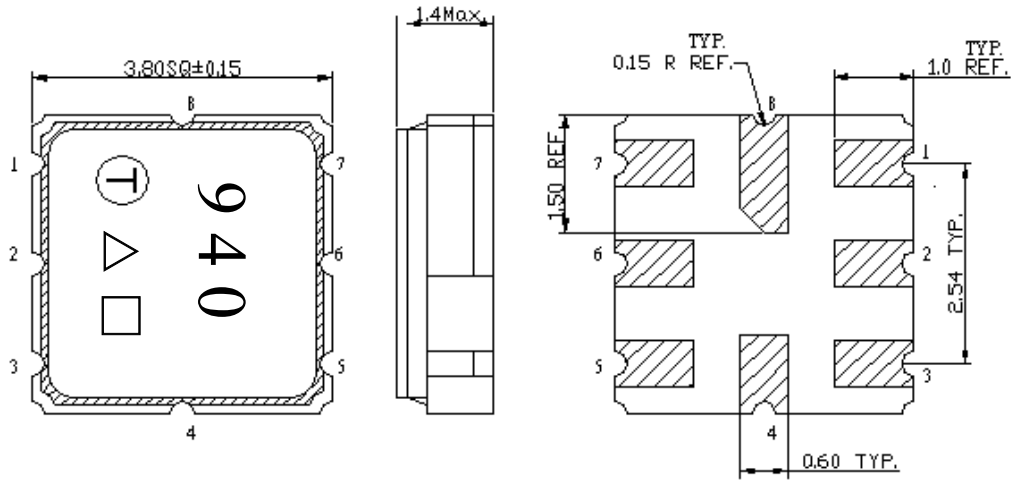
Item	Unit	Min.	Typ.	Max.
Center frequency F_o	MHz	-	453.695	-
Insertion loss (451.195 ~ 456.195MHz) IL	dB	-	2.0	3.6
Amplitude ripple(451.195 ~ 456.195MHz)	dB	-	0.3	2.1
VSWR (451.195 ~ 456.195MHz)	-	-	1.27	2.1
Attenuation (Reference level from 0 dB)				
10 ~ 397 MHz	dB	40	64	-
397 ~ 406 MHz	dB	40	75	-
406 ~ 441 MHz	dB	10	55	-
494 ~ 600 MHz	dB	40	65	-
Temperature Coefficient	Ppm/°C	-	-36	-
Source impedance Z_s	(Ω)	-	50	-
Load impedance Z_L	(Ω)	-	50	-

C. MEASUREMENT CIRCUIT:

50 Ohm Test circuit (single-ended / single-ended)



D.OUTLINE DRAWING:



△ Product Year Code

Year	2005	2006
	2007	2008
	2009	2010
	.	.
Product Code	A	a

2 : Input

6: Output

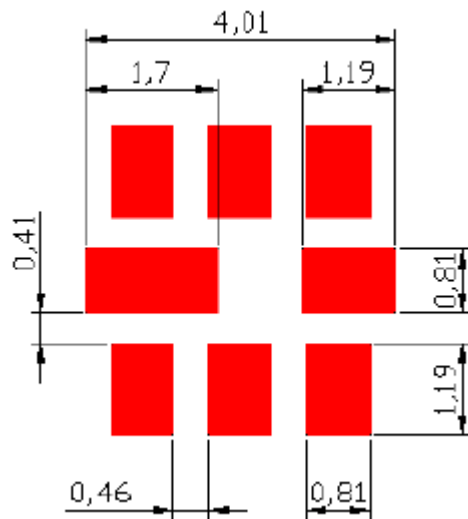
1,3,4,5,7,8 Ground

△:Year Code

□: Date Code(Follow the table provided by planner each year.)

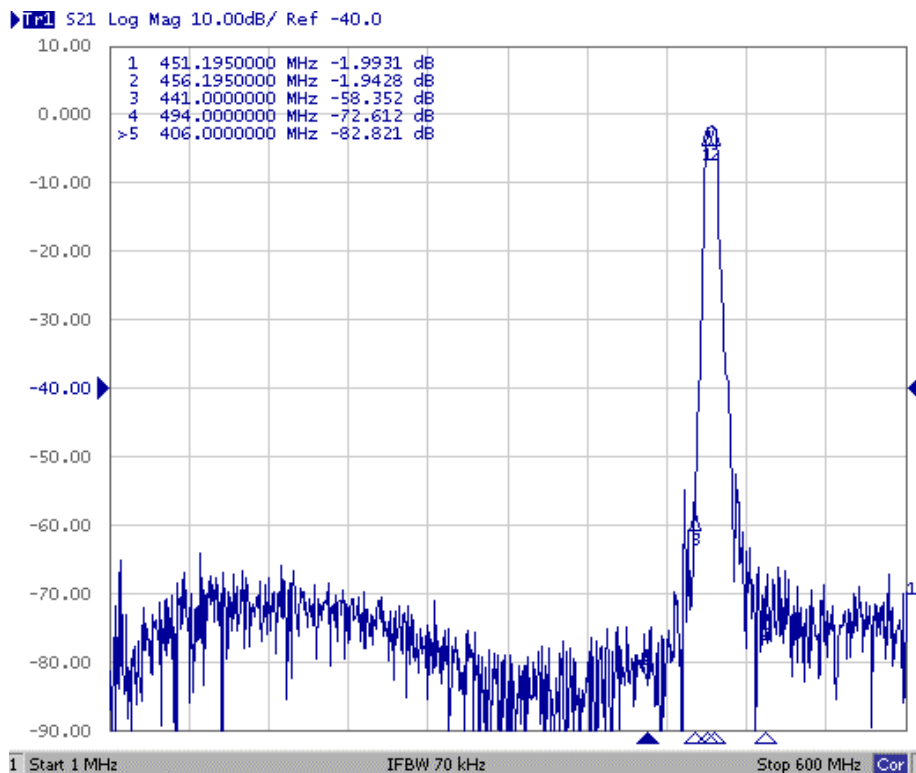
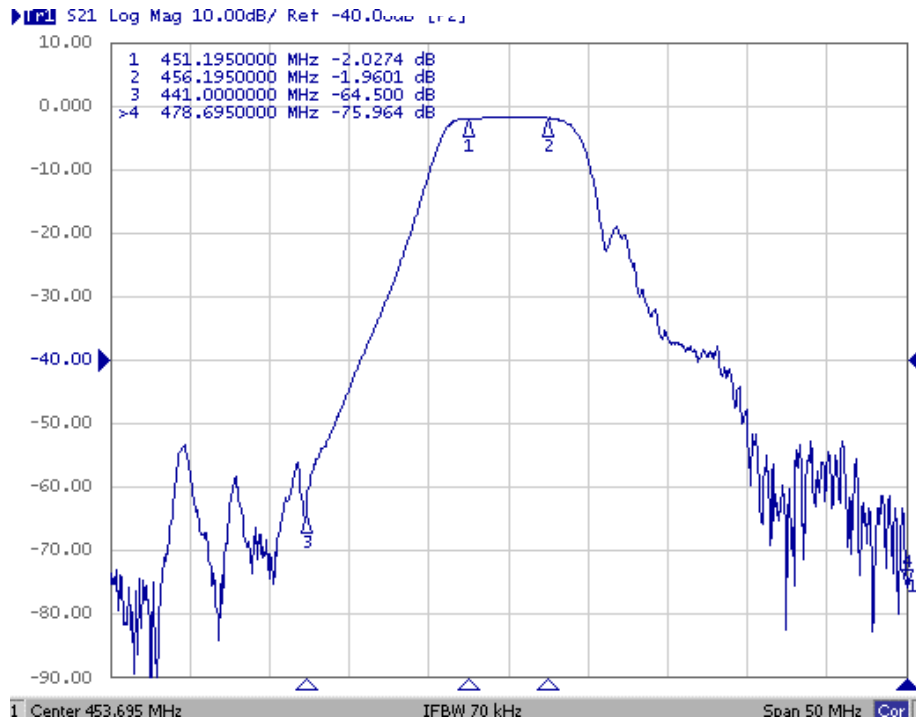
Unit: mm

E. PCB Footprint :



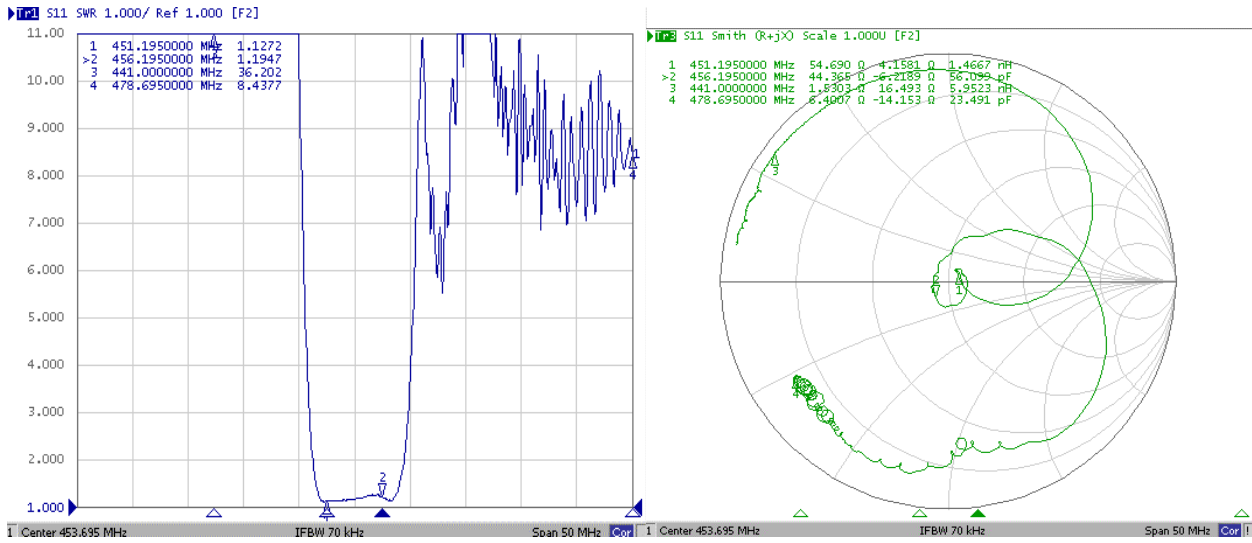
F. Frequency Characteristics :

Transfer function

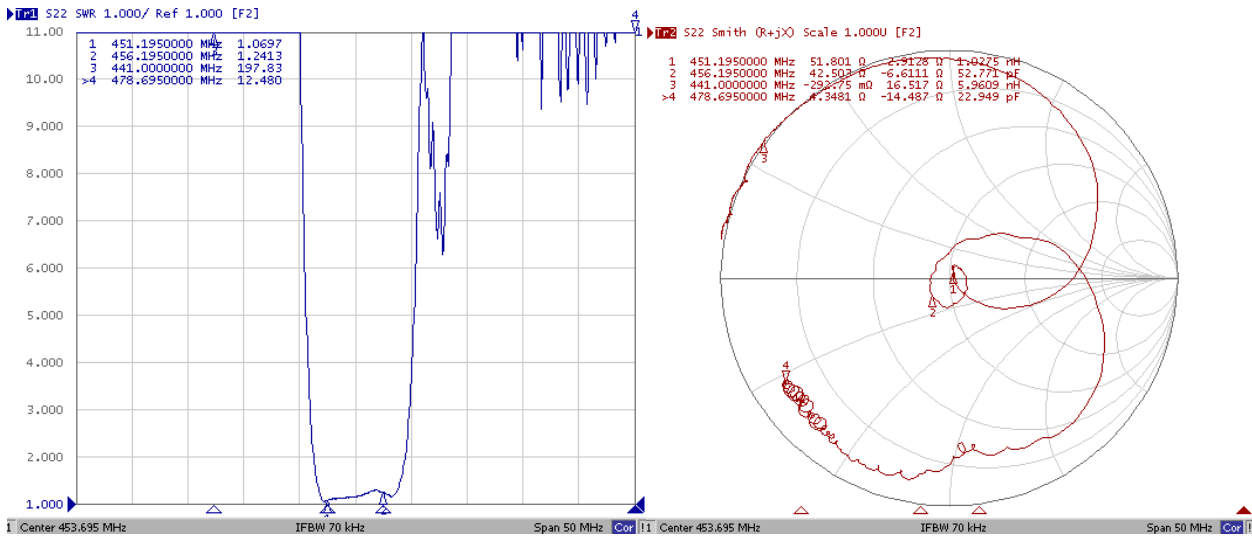


Transfer function

S11

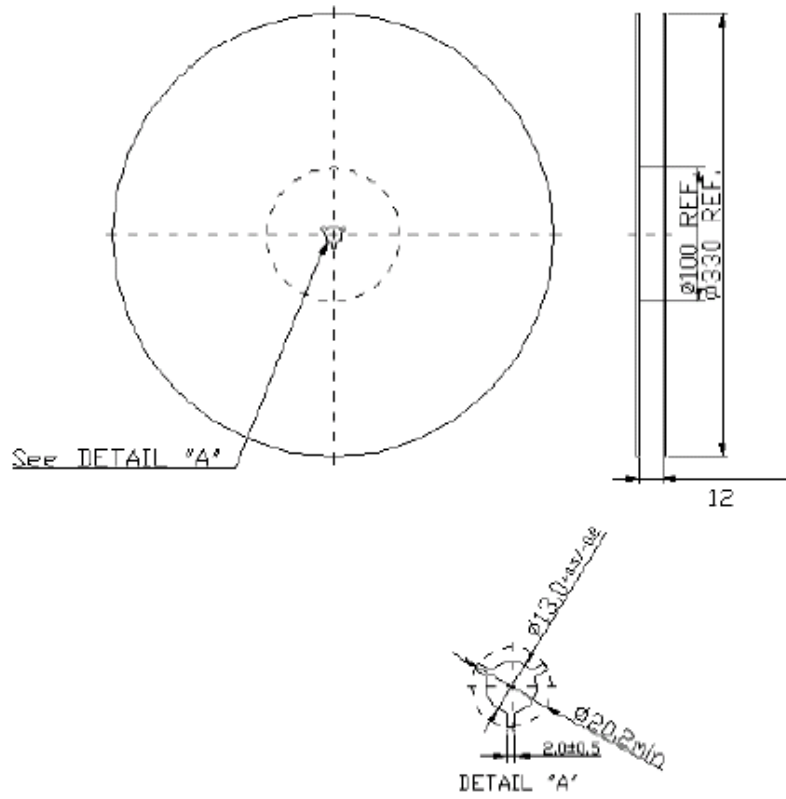


S22

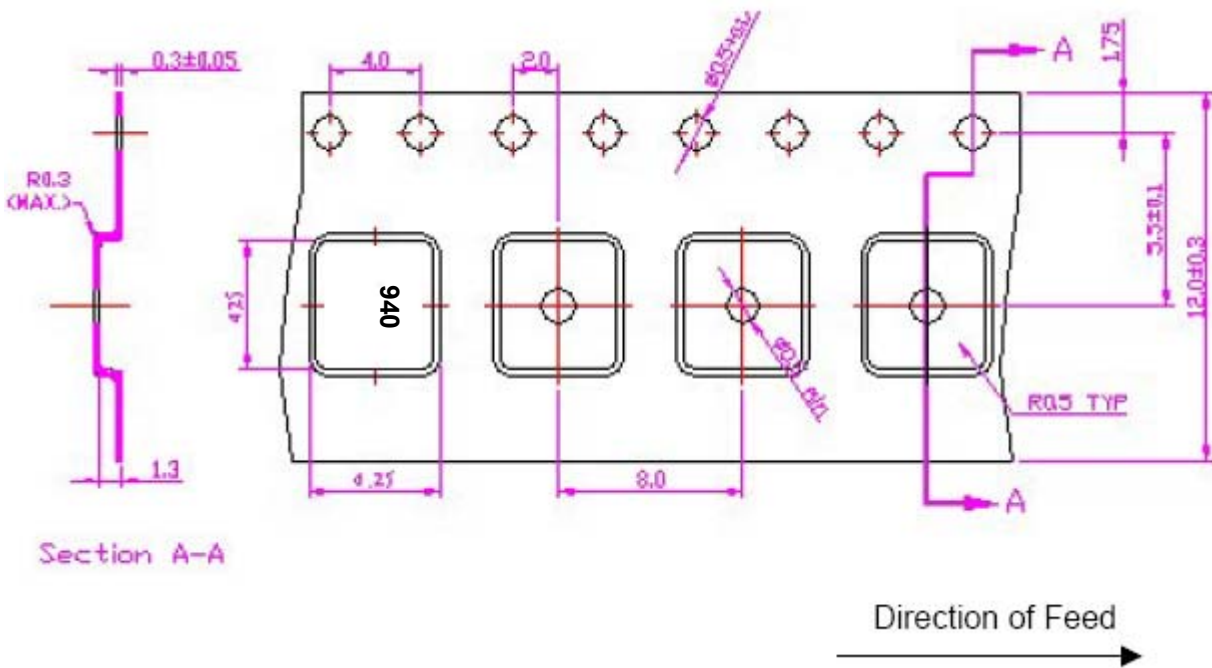


G. PACKING:

1. REEL DIMENSION



2. TAPE DIMENSION



H.RECOMMENDED REFLOW PROFILE:

