



SANYO Semiconductors

DATA SHEET

LA6500 — Monolithic Linear IC Power Operational Amplifier

Overview

The LA6500 is a power operational amplifier.

Features

- High output current (I_O max = 1.0A)
- High gain
- With current limiter
- Capable of being operated from single supply

Specifications

Maximum Ratings at $T_a = 25^\circ\text{C}$

Parameter	Symbol	Conditions	Ratings	Unit
Maximum supply voltage	V_{CC}/V_{EE}		± 18	V
Differential input voltage	V_{ID}		30	V
Common-mode input voltage	V_{IN}		± 15	V
Output current	I_O max		1.0	A
Allowable power dissipation	P_d max1	With infinity large heat sink	20	W
	P_d max2	Independent IC	1.75	W
Operating temperature	T_{opr}		-20 to +75	$^\circ\text{C}$
Storage temperature	T_{stg}		-55 to +150	$^\circ\text{C}$

■ Any and all SANYO Semiconductor Co.,Ltd. products described or contained herein are, with regard to "standard application", intended for the use as general electronics equipment (home appliances, AV equipment, communication device, office equipment, industrial equipment etc.). The products mentioned herein shall not be intended for use for any "special application" (medical equipment whose purpose is to sustain life, aerospace instrument, nuclear control device, burning appliances, transportation machine, traffic signal system, safety equipment etc.) that shall require extremely high level of reliability and can directly threaten human lives in case of failure or malfunction of the product or may cause harm to human bodies, nor shall they grant any guarantee thereof. If you should intend to use our products for applications outside the standard applications of our customer who is considering such use and/or outside the scope of our intended standard applications, please consult with us prior to the intended use. If there is no consultation or inquiry before the intended use, our customer shall be solely responsible for the use.

■ Specifications of any and all SANYO Semiconductor Co.,Ltd. products described or contained herein stipulate the performance, characteristics, and functions of the described products in the independent state, and are not guarantees of the performance, characteristics, and functions of the described products as mounted in the customer's products or equipment. To verify symptoms and states that cannot be evaluated in an independent device, the customer should always evaluate and test devices mounted in the customer's products or equipment.

LA6500

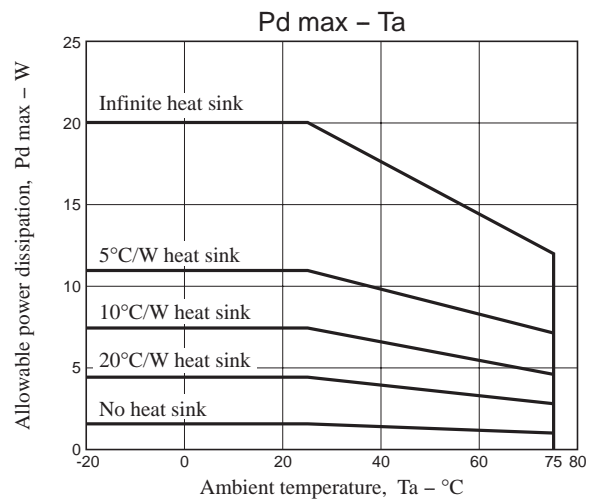
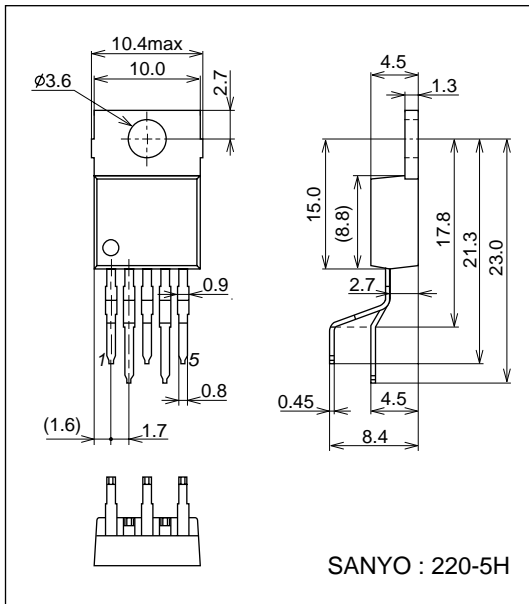
Electrical Characteristics at $T_a = 25^\circ\text{C}$, $V_{CC}/V_{EE} = \pm 15\text{V}$

Parameter	Symbol	Conditions	Ratings			Unit
			min	typ	max	
Quiescent current dissipation	I_{CCO}			6.0	12.0	mA
Input offset voltage	V_{IO}			2	6	mV
Input offset current	I_{IO}			10	200	nA
Input bias current	I_B			100	700	nA
Common-mode input voltage range	V_{ICM}		-15		+13	V
Common-mode rejection	CMR		70	80		dB
Maximum output voltage	V_O	$R_L = 33\Omega$	± 12	± 13		V
Voltage gain	V_{GO}			100		dB
Slew rate	SR	$G_V = 0, R_L = 33\Omega, R = 2.2\Omega, L = 0.1\mu\text{F}$		0.15		V/ μs
Equivalent input noise voltage	V_{NI}	$R_g = 1\text{k}\Omega, \text{DIN AUDIO}$		2		μV
Supply voltage rejection	SVR			30	150	$\mu\text{V/V}$
Limiting current	I_{SC}			1.0		A

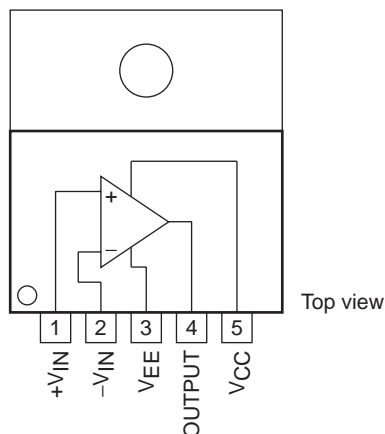
Package Dimensions

unit : mm (typ)

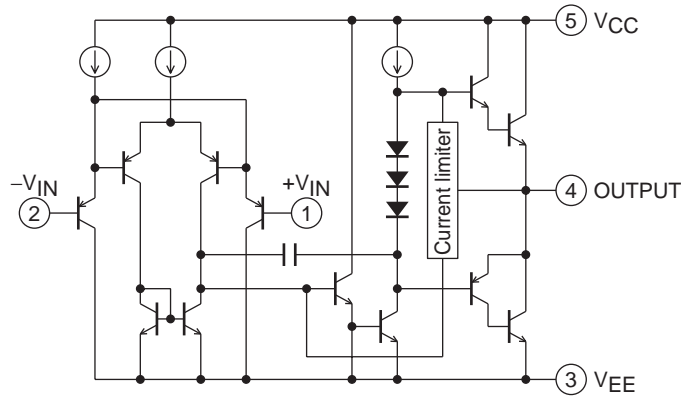
3079C



Pin Assignment

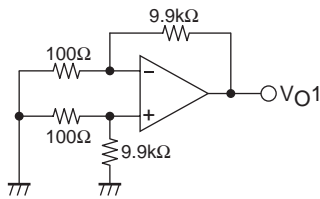


Equivalent Circuit



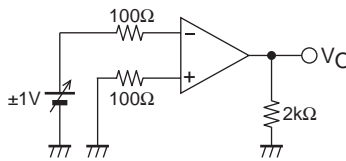
Test Circuit

(1) V_{IO} , SVRR



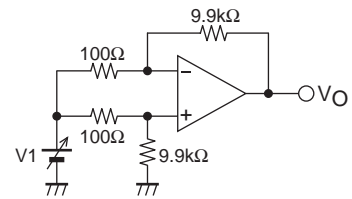
• V_{IO} is $V_{CC}/V_{EE} = \pm 15V$
 • SVRR is $\begin{cases} V_{CC} = 15, 5V \\ V_{EE} = -5, -15V \end{cases}$

(2) V_O



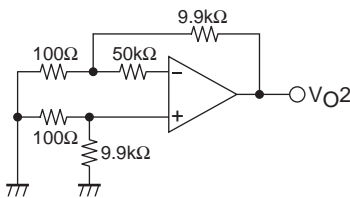
• $V_{IO} = V_{O1} / 100$
 $SVR(+) = \frac{|\Delta V_{O1}|}{100 \times 10V}$
 $SVR(-) = \frac{|\Delta V_{O1}|}{100 \times 10V}$

(3) CMMR, V_{ICM}



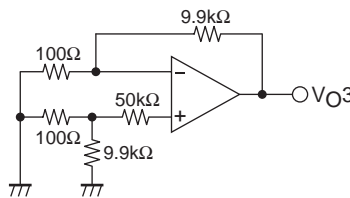
• $CMRR$ $V_1 = \pm 7.5V$
 • $CMR = 20 \log \frac{15 \times 100}{|\Delta V_O|}$

(3) $I_{B(+)}$



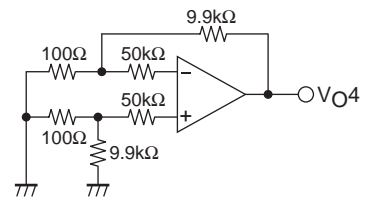
• $I_{B(+)} = \frac{|V_{O2} - V_{O1}|}{50k\Omega \times 100}$

(4) $I_{B(-)}$



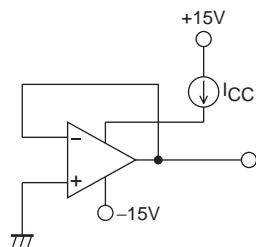
• $I_{B(-)} = \frac{|V_{O3} - V_{O1}|}{50k\Omega \times 100}$

(5) I_{IO}

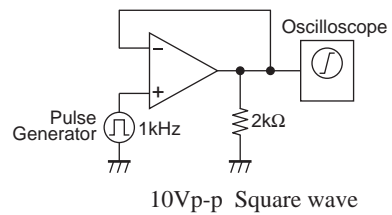


• $I_{IO} = \frac{|V_{O4} - V_{O1}|}{50k\Omega \times 100}$

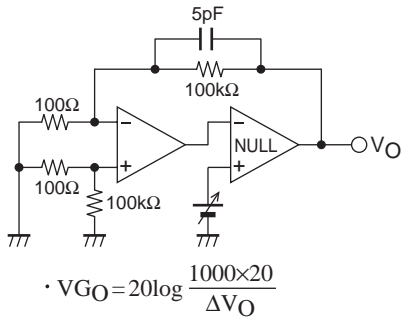
(7) I_{CC}



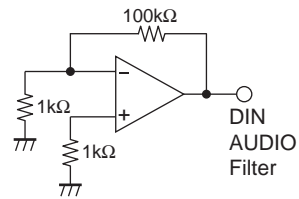
(8) SR



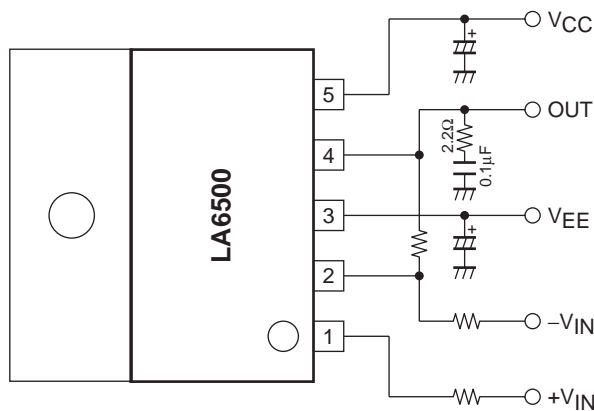
(9) V_{GO}



(10) V_{NI}



Application Circuit Example



- SANYO Semiconductor Co.,Ltd. assumes no responsibility for equipment failures that result from using products at values that exceed, even momentarily, rated values (such as maximum ratings, operating condition ranges, or other parameters) listed in products specifications of any and all SANYO Semiconductor Co.,Ltd. products described or contained herein.
- SANYO Semiconductor Co.,Ltd. strives to supply high-quality high-reliability products, however, any and all semiconductor products fail or malfunction with some probability. It is possible that these probabilistic failures or malfunction could give rise to accidents or events that could endanger human lives, trouble that could give rise to smoke or fire, or accidents that could cause damage to other property. When designing equipment, adopt safety measures so that these kinds of accidents or events cannot occur. Such measures include but are not limited to protective circuits and error prevention circuits for safe design, redundant design, and structural design.
- In the event that any or all SANYO Semiconductor Co.,Ltd. products described or contained herein are controlled under any of applicable local export control laws and regulations, such products may require the export license from the authorities concerned in accordance with the above law.
- No part of this publication may be reproduced or transmitted in any form or by any means, electronic or mechanical, including photocopying and recording, or any information storage or retrieval system, or otherwise, without the prior written consent of SANYO Semiconductor Co.,Ltd.
- Any and all information described or contained herein are subject to change without notice due to product/technology improvement, etc. When designing equipment, refer to the "Delivery Specification" for the SANYO Semiconductor Co.,Ltd. product that you intend to use.
- Information (including circuit diagrams and circuit parameters) herein is for example only; it is not guaranteed for volume production.
- Upon using the technical information or products described herein, neither warranty nor license shall be granted with regard to intellectual property rights or any other rights of SANYO Semiconductor Co.,Ltd. or any third party. SANYO Semiconductor Co.,Ltd. shall not be liable for any claim or suits with regard to a third party's intellectual property rights which has resulted from the use of the technical information and products mentioned above.

This catalog provides information as of August, 2008. Specifications and information herein are subject to change without notice.