

TABLE 1							
DASH NO/8	CABLES ACCOMMODATED	A DIM	B DIM	C FLATS	D FLATS	E DIA	ASSEMBLE PER
-7	TRC-50-2 TRC-75-2	1.135	.096	.438	.438	.500	TAI-189
-8	8227, BELDEN	1.716	.130	.625	.688	.750	TAI-103
-9	TWC-78-2 TWC-124-2		.096	.438			
-A9	BL782, TIMES BL982, TIMES BL1242, TIMES	1.135	△	△	.438	.500	TAI-102
-10	RG-22 754E, AT&T						TAI-103
-11	760A, AT&T						
-12	16PEVL, AT&T VI-AL, GENERAL	1.716	.130	.625	.688	.750	TAI-128
-13	TRF-59, TIMES						TAI-129
-13A	8232, BELDEN						TAI-165
-14	8233, BELDEN						TAI-129
-23	250-3884, MICRODOT						TAI-189
-24	202-3934, MICRODOT						TAI-102
-24A	9530A5117, RAYCHEM						TAI-189
-25	T-43M, GENERAL						TAI-102
-25A	5021H5331, RAYCHEM						
-26	7028A5518, RAYCHEM						TAI-189
-27	T19TPSJ2619EN, WOVEN 202-3927, MICRODOT 202-3942, MICRODOT						
-29	TWC-78-1/TWC-124-1A	1.135	.096	.438	.438	.500	TAI-102
-30	761A, AT&T 8441, BELDEN						
-32	TRC-50-1						
-33	TRC-75-1						
-42	21-204, ESSEX 4463, CONSOLIDATED						TAI-189
-43	250-4044/250-4045 293-3930, MICRODOT						
-45	M275000-22TE2T14 1100-66F, STANDARD						TAI-102
-46	9860, BELDEN	1.716	.130	.625	.688	.750	TAI-103
-47	M17176-00002	1.135	.096	.438	.438	.500	TAI-102
-49	TWAC-78-1F2						
-54	89207, BELDEN	1.716	.130	.625	.688	.750	TAI-103
-55	89272, BELDEN						TAI-102
-56	GC875GCI, GRUMMAN						
-57	GC875GB1, GRUMMAN						TAI-189
-58	GC875TM24H, GRUMMAN	1.135	.096	.438	.438	.500	TAI-102
-59	GC875LNI, GRUMMAN						
-60	M17177, THERMATICS 380-10045, BOEING						TAI-189
-64	7528A5314, RAYCHEM						

TABLE 2 CABLE ENTRY DIAMETER			
DASH NO	ENTRY DIA	DASH NO	ENTRY DIA
-7	.274	-30	.235
-8	.345	-32	.191
-9	.285	-33	.217
-A9	.285	-42	.300
-10	.455	-43	.200
-11	.347	-45	.183
-12	.485	-46	.475
-13	.362	-47	.164
-13A	.352	-49	.132
-14	.490	-54	.323
-23	.183	-55	.250
-24	.191	-56	.191
-24A	.200	-57	.191
-25	.285	-58	.198
-25A	.285	-59	.198
-26	.183	-60	.217
-27	.145	-64	.183
-29	.191		

DATA CONTAINED IN THIS DOCUMENT IS PROPRIETARY OF TROMPETER ELECTRONICS INC. AND SHALL NOT BE DISCLOSED, COPIED OR USED FOR PROCUREMENT OR MANUFACTURE WITHOUT EXPRESS WRITTEN PERMISSION.

REVISIONS			
REV	DESCRIPTION	DATE	APPROVED
B	REVISED PER ECO 15763	2-7-05	W3

FIGURE 1
-9 SHOWN

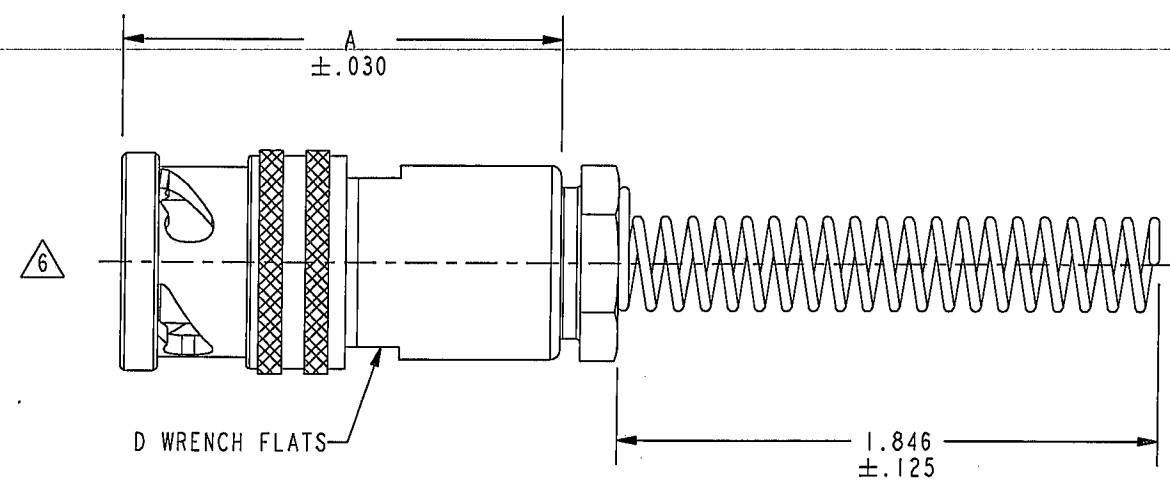
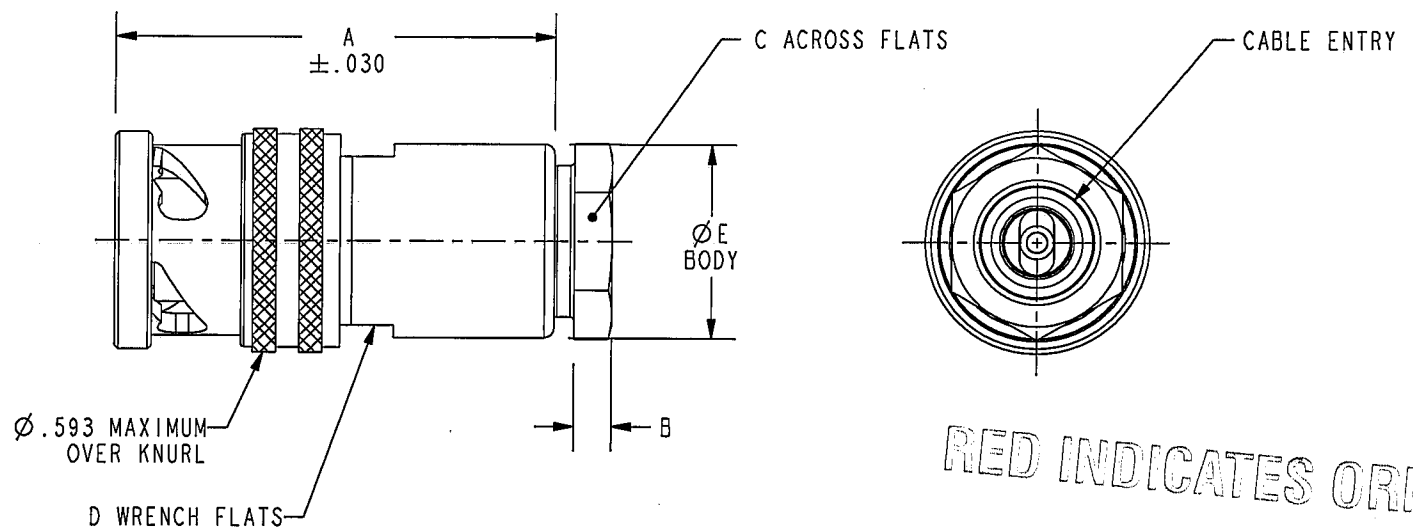
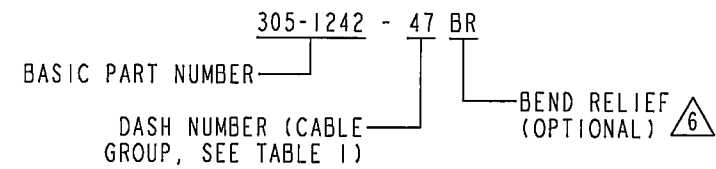


FIGURE 2
-9 SHOWN



5. EXAMPLE OF COMPLETE PART NUMBER:



△4 CLAMP NUT OMITTED

3. CONCENTRIC TWINAX/TRIAX 4-LUG TRB CABLE PLUG, VACUUM READY

2. FINISH: TFS-1A (NICKEL)

1. ALL DIM ARE IN INCHES

NOTES: UNLESS OTHERWISE SPECIFIED.

△8 CHECK WITH CABLE MANUFACTURER FOR OUTGASSING PROPERTIES OF THE SELECTED CABLE

7. ALL MATERIALS MEET THE OUTGASSING REQUIRMENTS OF NASA SPECIFICATION SP-R-0022A AND TEI VACUUM READY SPECIFICATION TT-09

△6 IF BEND RELIEF SPRING IS REQUIRED (SEE FIG 1) ADD SUFFIX "BR" TO PART NO (NOT AVAILABLE WITH CABLE GROUPS -8, -10, -11, -12, -13, -13A, -14, -46, & -54)

MODEL NO	DASH NO/CABLE GROUP																
PL75FL (TWINAX)	-8	-9	-A9	-10	-11	-12	-24	-25	-27	-29	-30	-45	-46	-47	-49	-54	-55
PL75FL (TRIAx)	-7	-13	-13A	-14	-23	-24A	-25A	-26	-32	-33	-42	-43	-56	-57	-59	-60	-64
PL75FL (QUADRAX)	-58																

INTERPRET DRAWING PER MIL-STD-100. DIMENSIONS ARE IN INCHES AND INCLUDE FINISH THICKNESS UNLESS OTHERWISE SPECIFIED		TOL: UNLESS SPECIFIED .XX ± .02 .XXX ± .010 ANGLE ± 1°	
DRN	L.M.	2-1-05	MATERIAL
CHK	T.Kha	2-3-05	
QUALITY	MS	2/4/05	FINISH
MANUF	ISF	2/4/05	
APPROVED	W3	2/3/08	

TROMPETER
ELECTRONICS, INC.

TITLE: PL75FL/PL75FLBR VACUUM READY

SIZE	CAGE CODE	DRAWING NO.	REV
B	14949	305-1242	B
SCALE	1/1	DATE	7-31-98
		SHEET	1C

305-0515
NEXT ASSY

PROJ FILE NO 305-1242

DO NOT SCALE DWG