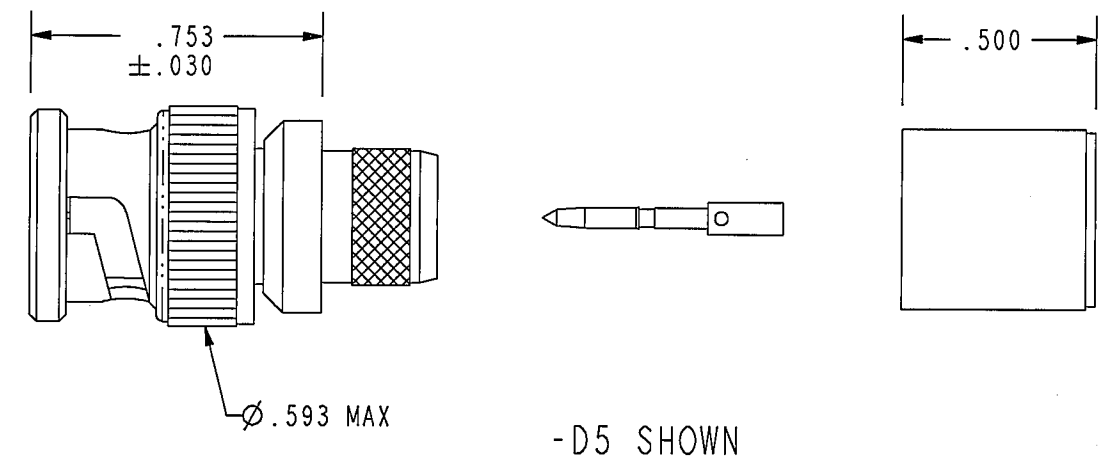
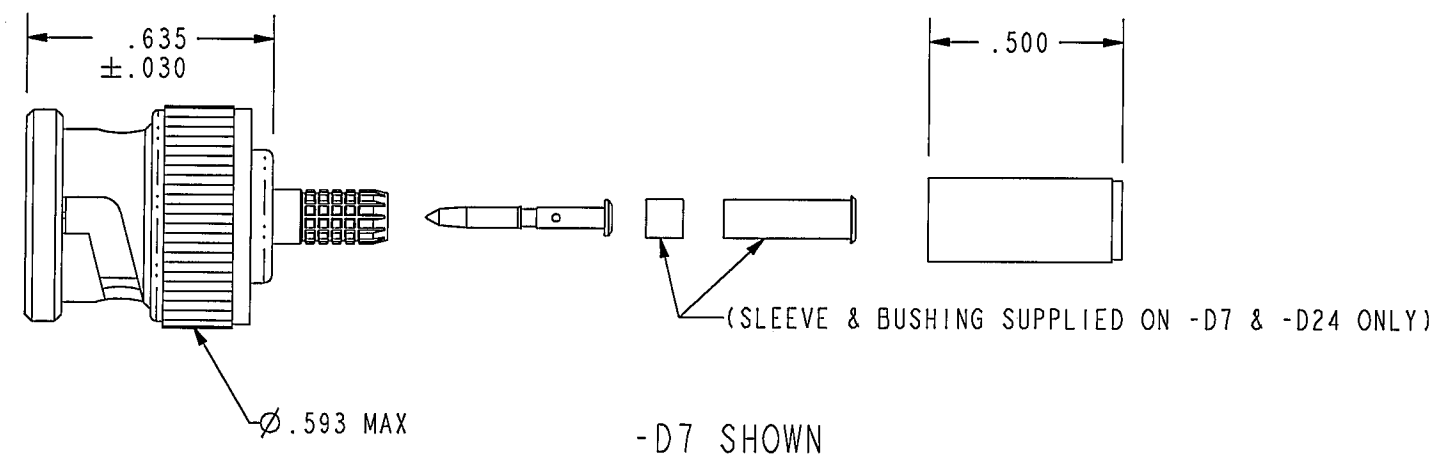


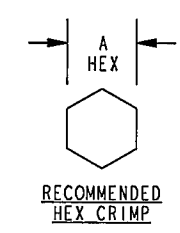
DASH NO	CABLE ACCOMMODATED	A HEX	ASSEMBLE PER
-D1	COMM/SCOPE 7538	.178	TAI-226
-D2	BELDEN 1505A GEPKO VPM2000	.255	
-D3	RG-59		
-D4	BELDEN 1694A GEPKO VSD2001	.290	TAI-225
-D5	BELDEN 7731A COMM/SCOPE 5906	.403	
-D6	BELDEN 1695A	.290	TAI-226
-D7	BELDEN 9221 RG-179	.178	
-D8	BELDEN 1506A GEPKO VPM2000TK	.255	
-D9	BELDEN 9209		
-D10	BELDEN 8281	.324	
-D11	WESTPENN 25815	.255	
-D12	NOKIA 0.6/2.8	.213	TAI-225
-D13	COMM/SCOPE 7530	.344	
-D14	BELDEN 8279 GEPKO VPM618 CANARE L-3CFB	.255	TAI-226
-D15	COMM/SCOPE F59	.290	
-D16	BELDEN 7732A COMM/SCOPE 2285	.403	TAI-225
-D17	NK NETWORKS 0.6/3.7	.290	
-D18	COMM/SCOPE S59 HEC		TAI-226
-D19	BELDEN 1855A	.213	
-D20	BELDEN 1505F	.255	
-D21	VDM230	.213	
-D23	M17/2 (RG 6)	.344	
-D24	BELDEN 179DT	.178	

DATA CONTAINED IN THIS DOCUMENT IS PROPRIETARY OF TROMPETER ELECTRONICS INC. AND SHALL NOT BE DISCLOSED, COPIED OR USED FOR PROCUREMENT OR MANUFACTURE WITHOUT EXPRESS WRITTEN PERMISSION.

REVISIONS			
REV	DESCRIPTION	DATE	APPROVED
P	REVISED PER ECO 15676	10-13-04	WSJ



RED INDICATES ORIGINAL



4. EXAMPLE OF A COMPLETE MODEL NO:

UPL2000 - D1
BASIC P/N DASH NO. PER TABLE

3. RF COAXIAL 75Ω BNC FULL CRIMP CABLE PLUG FOR DIGITAL APPLICATION

2. FINISH: BODY: TFS-1A (NICKEL)
OUTER CONTACT: TFS-1Z (GOLD FLASH Pd Ni)
PIN: TFS-1B (GOLD)
BAYONET SLEEVE: BLACK ELECTROLESS NICKEL

1. ALL DIM ARE IN INCHES

NOTES: UNLESS OTHERWISE SPECIFIED.

INTERPRET DRAWING PER MIL-STD-100. DIMENSIONS ARE IN INCHS AND INCLUDE FINISH THICKNESS UNLESS OTHERWISE SPECIFIED		TOL: UNLESS SPECIFIED .XX ± .02 .XXX ± .010 ANGLE ± 1°		
DRN	AAH	10-7-04	MATERIAL	
CHR	TJA	10-11-04	FINISH	SIZE B
QUALITY	MS	10/13/04		
MANUF	BP	10/13	DO NOT SCALE DWG	DRAWING NO. 1-0569
APPROVED	WSJ	10/11/04		SCALE 2/1
NEXT ASSY		PROJ FILE NO. 1-0569	REVISIONS	SHEET 1C