

MINI MATE[®] HEADER IPL1 SERIES

SPECIFICATIONS

For complete specifications and recommended PCB layouts see www.samtec.com?IPL1

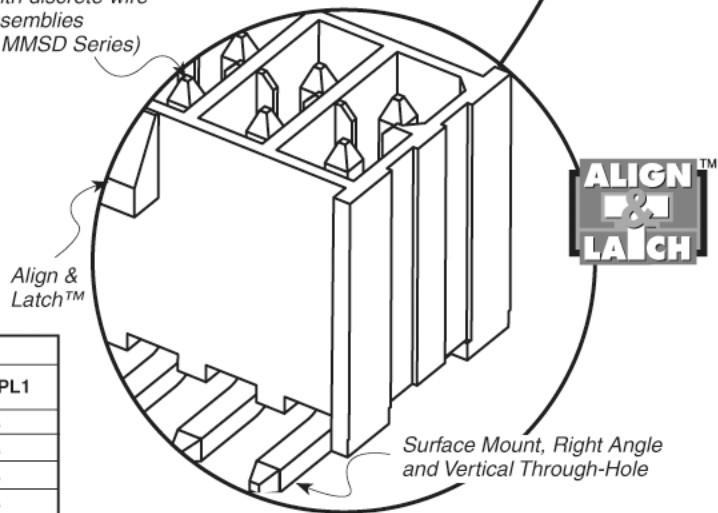
Insulator Material: Black LCP
Terminal Material: Phosphor Bronze
Plating: Sn or Au over 50µ" (1,27µm) Ni
Operating Temp Range: -55°C to +125°C
Voltage Rating: 675 VAC mated with IPD1
RoHS Compliant: Yes

Processing:

Max Processing Temp: 230°C for 60 seconds, or 260°C for 20 seconds 3x
Lead-Free Solderable: Yes
SMT Lead Coplanarity: (0,10mm) .004" max (02-05) (0,13mm) .005" max (06-10) (0,15mm) .006" max (11-25)

Mates with: MMSS, MMSS, SCR2 (Does not mate with IPS1)

Mates with discrete wire cable assemblies (IPD1 & MMSS Series)



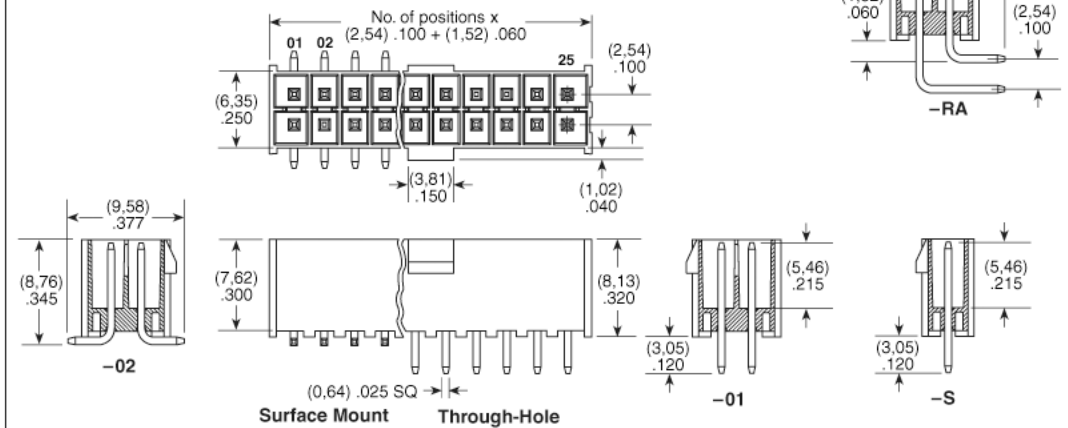
CURRENT RATING		
AMBIENT TEMP	MMSS/IPL1	MMSSD/IPL1
20°C	6.8A	5.8A
40°C	6.0A	5.2A
60°C	5.3A	4.5A
95°C	3.6A	3.0A

MMSS 6 POSITIONS IN LINE POWERED
 MMSSD 2x3 CLUSTER POWERED

APPLICATION SPECIFIC OPTIONS

Polarized. Call Samtec.

IPL1	NO. PINS PER ROW	LEAD STYLE	PLATING OPTION	ROW OPTION	OPTION
1	02, 05, 10, 15, 16, 20, 25 (-D only) 02, 05, 10 (-S only) (Call Samtec for other sizes)	-01 = Through-Hole -02 = Surface Mount	-S = 30µ" (0,76µm) Gold on contact, Matte Tin on tail	-S = Single Row -D = Double Row	-RA = Right Angle (-01 lead style only)



Note: Some sizes, styles and options are non-standard, non-returnable.

Due to technical progress, all designs, specifications and components are subject to change without notice.

WWW.SAMTEC.COM