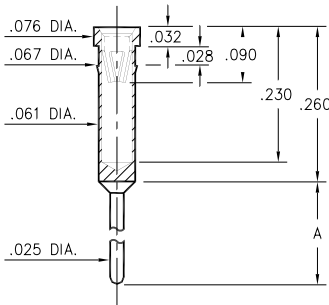


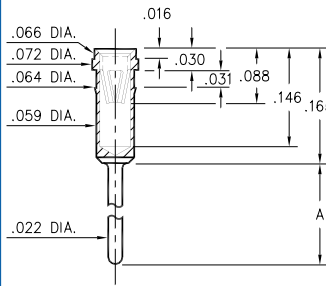
## 0401/6401



Basic Part Number	Length A
0401-0	.340
6401-0	.540

**X401-0-15-XX-47-XX-04-0**  
Press-fit in .064 mounting hole

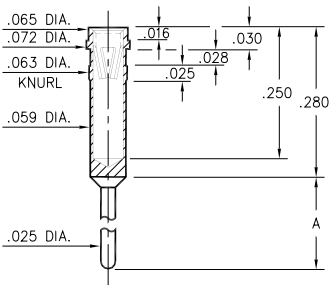
## 1303/8303



Basic Part Number	Length A
1303-0	.125
8303-0	.800

**X303-0-15-XX-47-XX-04-0**  
Press-fit in .061 mounting hole

## 4094/4095



Basic Part Number	Length A
4094-0	.260
4095-0	.635

**409X-0-15-XX-47-XX-04-0**  
Press-fit in .061 mounting hole

### SPECIFICATIONS

**SHELL MATERIAL:**  
Brass Alloy 360, 1/2 Hard

**CONTACT MATERIAL:**  
Beryllium Copper Alloy 172, HT

**DIMENSION IN INCHES**  
**TOLERANCES ON:**  
LENGTHS: ±.005  
DIAMETERS: ±.002  
ANGLES: ± 2°

**ORDER CODE: XXXX - X - 15 - XX - 47 - XX - XX - 0**

**BASIC PART #**

**SPECIFY SHELL FINISH:**   
**01** 200µ" TIN/LEAD OVER NICKEL  
**15** 10µ" GOLD OVER NICKEL

**SPECIFY CONTACT FINISH:**   
**01** 200µ" TIN/LEAD OVER NICKEL  
**14** 10µ" GOLD OVER NICKEL  
**27** 30µ" GOLD OVER NICKEL

**CONTACT**

**#47 CONTACT (DATA ON PAGE 211)**