

### 2A-268/1

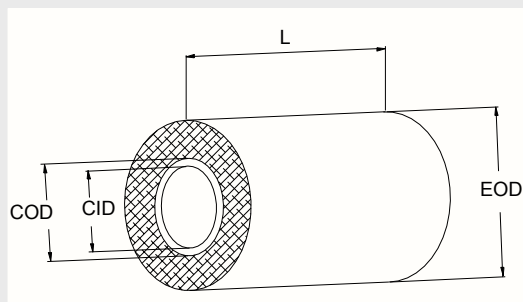
## Automatic Winding Machine for Power Capacitors



#### MAIN FEATURES

- Winding on plastic core.
- Full automatic film tensioning control.
- Heat seal temperature control.
- Burn-off of films for insulation on both ends.
- Off-set of metallized film.
- Constant linear speed winding of metallized films (max. 10m/s.)
- Automatic capacitor unloading on conveyor belt.

#### PRODUCT



#### GENERAL INFORMATION

Plastic core outside diameter (COD)	65 mm max.
Plastic core inside diameter (CID)	30 mm min.
Element length (L)	50 to 155 mm
Element diameter (EOD)	50 to 180 mm