

Force Technologies Ltd. www.forcetechnologies.co.uk
Tel. +44 (0)1264 731200 Fax. +44 (0)1264 731444

TIGA2S4000 -20/25/35

TIGA6S4000/A/B-20/25/35

TIGA7S4000/A/B-20/25/35

Issue 1 2005

Description

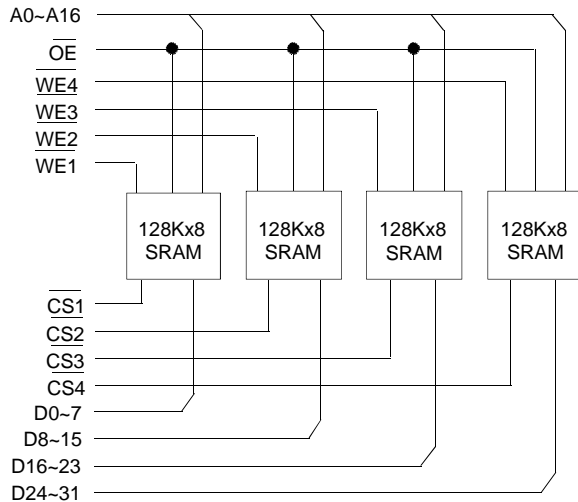
Available in PGA (TIGA 2), JLCC (TIGA 6) and Gullwing (TIGA 7) footprints. The TIGA **S4000 is a 4 Mbit SRAM module, user configurable as 128K x 32, 256K x 16 or 512K x 8. The device is available with fast access times of 20, 25 and 35ns. The device may be screened in accordance with MIL-STD-883C.

Features

- 4 Megabit SRAM module.
- Fast Access Times of 20/25/35 ns.
- Output Configurable as 32 / 16 / 8 bit wide.
- Upgradeable footprint.
- Operating Power 3740 / 2310 / 1595 mW (Max). Low Power Standby (L version) 220 mW (Max).
- TTL Compatible Inputs and Outputs.
- May be screened in accordance with MIL-STD-883.
- TIGA 2 - 66 pin Ceramic PGA.
- TIGA 6 - 68 pin Ceramic JLCC.
- TIGA 7- 68 pin Ceramic Gullwing.

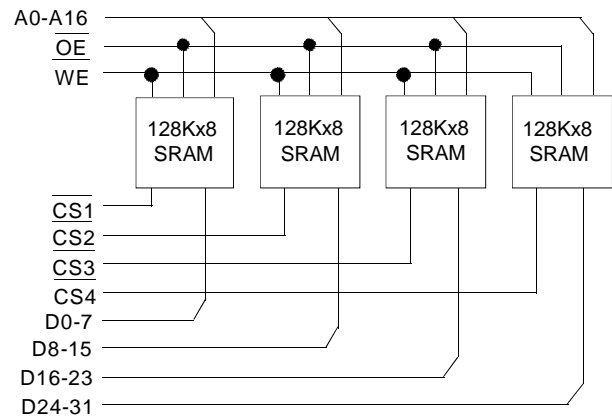
Block Diagram

TIGA2S4000, 6S4000A/B and 7S4000A/B



Block Diagram

TIGA6S4000 and 7S4000



Pin Functions

A0~A16
CS1~4
OE
GND

Address Input
Chip Select
Output Enable
Ground

D0~D31
WE1~4
Vcc

Data Inputs/Outputs
Write Enables
Power (+5V)

DC OPERATING CONDITIONS**Absolute Maximum Ratings** ⁽¹⁾

Voltage on any pin relative to GND ⁽²⁾	V_T	-0.5V to +7.0	V
Power Dissipation	P_T	4	W
Storage Temperature	T_{STG}	-65 to +150	°C

Notes (1) Stresses above those listed may cause permanent damage. This is a stress rating only and functional operation of the device at these or any other conditions above those indicated in the operational sections of this specification is not implied. Exposure to absolute maximum rating conditions for extended periods may affect device reliability.

Recommended Operating Conditions

		<i>min</i>	<i>typ</i>	<i>max</i>	
Supply Voltage	V_{CC}	4.5	5.0	5.5	V
Input High Voltage	V_{IH}	2.2	-	6.0	V
Input Low Voltage	V_{IL}	-0.5	-	0.8	V
Operating Temperature	T_A	0	-	70	°C
	T_{AI}	-40	-	85	°C (Suffix I)
	T_{AM}	-55	-	125	°C (Suffix M, MB)

DC Electrical Characteristics ($V_{CC}=5V\pm 10\%$, $T_A=-55^\circ\text{C}$ to $+125^\circ\text{C}$)

Parameter	Symbol	Test Condition	<i>min</i>	<i>typ</i>	<i>max</i>	Unit	
Input Leakage Current	I_{LI1}	$V_{IN}=0V$ to V_{CC}	-8	-	8	μA	
Output Leakage Current	I_{LO}	$\overline{CS}^{(1)}=V_{IH}$ or $\overline{OE}=V_{IH}$, $V_{IO}=0V$ to V_{CC} $\overline{WE}=V_{IL}$	-8	-	8	μA	
Operating Supply Current	32 bit	I_{CC32}	Min cycle, duty=100%, $I_{IO}=0\text{mA}$, $\overline{CS}=V_{IL}$	-	-	680	mA
	16 bit	I_{CC16}	As above	-	-	420	mA
	8 bit	I_{CC8}	Min cycle, duty=100%, $I_{IO}=0\text{mA}$, $\overline{CS}=V_{IL}$	-	-	290	mA
Standby Supply Current (TTL)	I_{SB1}	$\overline{CS}^{(1)}\geq V_{IH}$, $V_{CC}=5.5V$	-	-	160	mA	
	-L Version	I_{SB2}	$\overline{CS}^{(1)}\geq V_{IH}$, $V_{IL}\leq V_{IN}\leq V_{IH}$, $f=0\text{Hz}$	-	-	40	mA
Output Voltage Low	V_{OL}	$I_{OL}=8.0\text{mA}$	-	-	0.4	V	
Output Voltage High	V_{OH}	$I_{OH}=-4.0\text{mA}$	2.4	-	-	V	

Notes: (1) \overline{CS} and \overline{WE} above are accessed through $\overline{CS}1\sim 4$ and $\overline{WE}1\sim 4$ respectively. These inputs must be operated simultaneously for 32 bit mode, in pairs for 16 bit mode and singly for 8 bit mode.

Capacitance ($V_{CC}=5V\pm 10\%$, $T_A=25^\circ\text{C}$) Note: (1) On the standard module, $\overline{WE}=30\text{pF}$ max.

Parameter	Symbol	Test Condition	<i>typ</i>	<i>max</i>	Unit	
Input Capacitance	Address, \overline{OE}	C_{IN1}	$V_{IN}=0V$	-	30	pF
	$\overline{WE}1\sim 4^{(1)}$, $\overline{CS}1\sim 4$	C_{IN2}	$V_{IN}=0V$	-	16	pF
I/O Capacitance	D0~D31	C_{IO}	$V_{IO}=0V$	-	30	pF (8 bit mode)

These parameters are calculated, not measured.

Operating Modes

The table below shows the logic inputs required to control the operating modes of each of the SRAMs on the modules.

Mode	\overline{CS}	\overline{OE}	\overline{WE}	V_{CC} Current	I/O Pin	Reference Cycle
Not Selected	1	X	X	I_{SB1}, I_{SB2}	High Z	Power Down
Output Disable	0	1	1	I_{CC}	High Z	-
Read	0	0	1	I_{CC}	D_{OUT}	Read Cycle
Write	0	X	0	I_{CC}	D_{IN}	Write Cycle

1 = V_{IH} ,

0 = V_{IL} ,

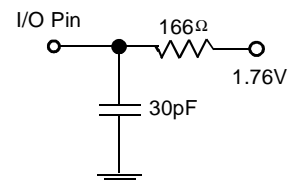
X = Don't Care

Note: \overline{CS} above is accessed through $\overline{CS1-4}$ (and \overline{WE} by $\overline{WE1-4}$ on the TIGA 2S4000, 6S4000A, 7S4000A). For correct operation, $\overline{CS1-4}$ (and $\overline{WE1-4}$) must operate simultaneously for 32 bit operation, in pairs for 16 bit operation, or singly for 8 bit operation.

AC Test Conditions

- *Input pulse levels: 0.0V to 3.0V
- *Input rise and fall times: 3 ns
- *Input and Output timing reference levels: 1.5V
- * $V_{CC} = 5V \pm 10\%$
- *TIGA module is tested in 32 bit mode.

Output Load



AC OPERATING CONDITIONS**Read Cycle**

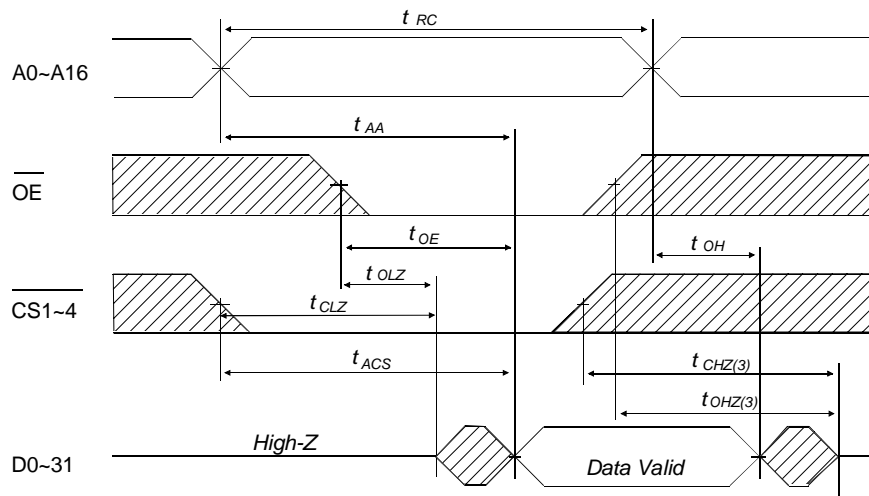
Parameter	Symbol	20		25		35		Units
		min	max	min	max	min	max	
Read Cycle Time	t_{RC}	20	-	25	-	35	-	ns
Address Access Time	t_{AA}	-	20	-	25	-	35	ns
Chip Select Access Time	t_{ACS}	-	20	-	25	-	35	ns
Output Enable to Output Valid	t_{OE}	-	9	-	8	-	12	ns
Output Hold from Address Change	t_{OH}	5	-	5	-	5	-	ns
Chip Selection to Output in Low Z	t_{CLZ}	6	-	5	-	5	-	ns
Output Enable to Output in Low Z	t_{OLZ}	0	-	0	-	0	-	ns
Chip Deselection to Output in High Z ⁽³⁾	t_{CHZ}	0	9	-	15	-	15	ns
Output Disable to Output in High Z ⁽³⁾	t_{OHZ}	0	9	-	15	-	15	ns

Write Cycle

Parameter	Symbol	20		25		35		Unit
		min	max	min	max	min	max	
Write Cycle Time	t_{WC}	20	-	25	-	35	-	ns
Chip Selection to End of Write	t_{CW}	15	-	16	-	20	-	ns
Address Valid to End of Write	t_{AW}	15	-	16	-	20	-	ns
Address Setup Time	t_{AS}	0	-	0	-	0	-	ns
Write Pulse Width	t_{WP}	15	-	15	-	20	-	ns
Write Recovery Time	t_{WR}	0	-	5	-	5	-	ns
Data to Write Time Overlap	t_{DW}	0	15	10	-	15	-	ns
Output Active from End of Write	t_{OW}	15	-	3	-	3	-	ns
Data Hold from Write Time	t_{DH}	2*	-	2*	-	2*	-	ns
Write to Output High Z	t_{WHZ}	5	-	0	10	0	10	ns

* Note : Only applies to TIGA6S4000/A otherwise t_{DH} (min) = 0

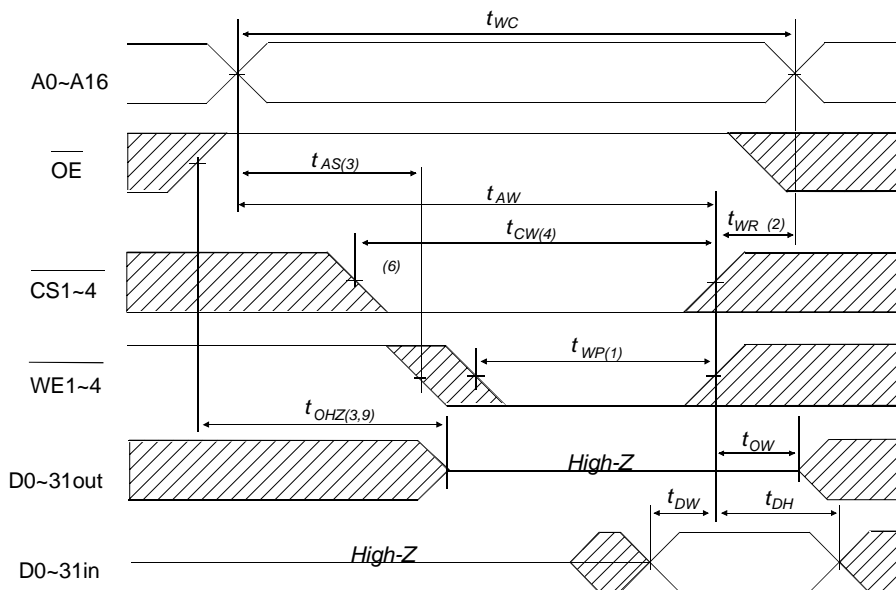
Read Cycle Timing Waveform^(1,2)



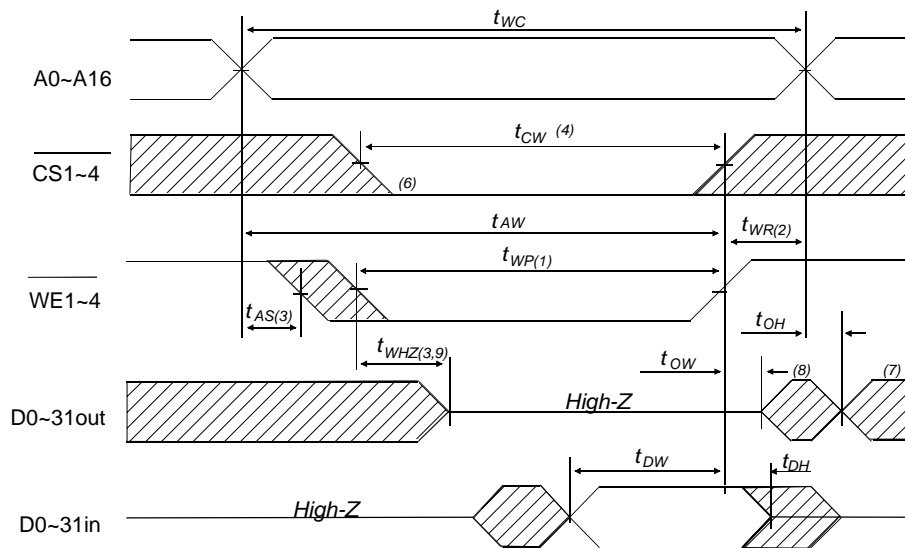
Notes:

- (1) During the Read Cycle, \overline{WE} is high for the modules.
- (2) Address valid prior to or coincident with \overline{CS} transition Low.
- (3) t_{CHZ} and t_{OHZ} are defined as the time at which the outputs achieve the open circuit conditions and are not referenced to output voltage levels. These parameters are sampled and not 100% tested.

Write Cycle No.1 Timing Waveform



Write Cycle No.2 Timing Waveform ⁽⁵⁾



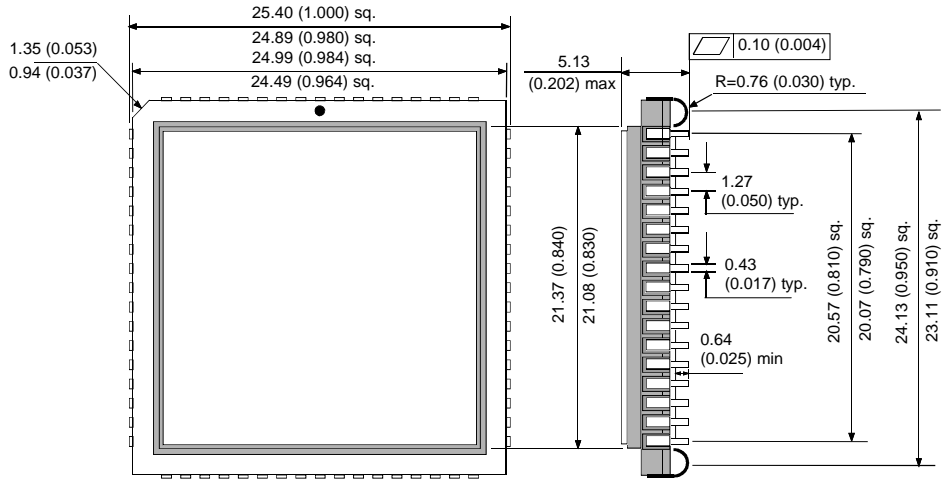
AC Characteristics Notes

- (1) A write occurs during the overlap (t_{WP}) of a low \overline{CS} and a low \overline{WE} .
- (2) t_{WR} is measured from the earlier of \overline{CS} or \overline{WE} going high to the end of write cycle.
- (3) During this period, I/O pins are in the output state. Input signals out of phase must not be applied.
- (4) If the \overline{CS} low transition occurs simultaneously with the \overline{WE} low transition or after the \overline{WE} low transition, outputs remain in a high impedance state.
- (5) \overline{OE} is continuously low. ($\overline{OE}=V_{IL}$)
- (6) D_{OUT} is in the same phase as written data of this write cycle.
- (7) D_{OUT} is the read data of next address.
- (8) If \overline{CS} is low during this period, I/O pins are in the output state. Input signals out of phase must not be applied.
- (9) t_{WHZ} and t_{OHZ} are defined as the time at which the outputs achieve the open circuit conditions and are not referenced to output voltage levels. These parameters are sampled and not 100% tested.

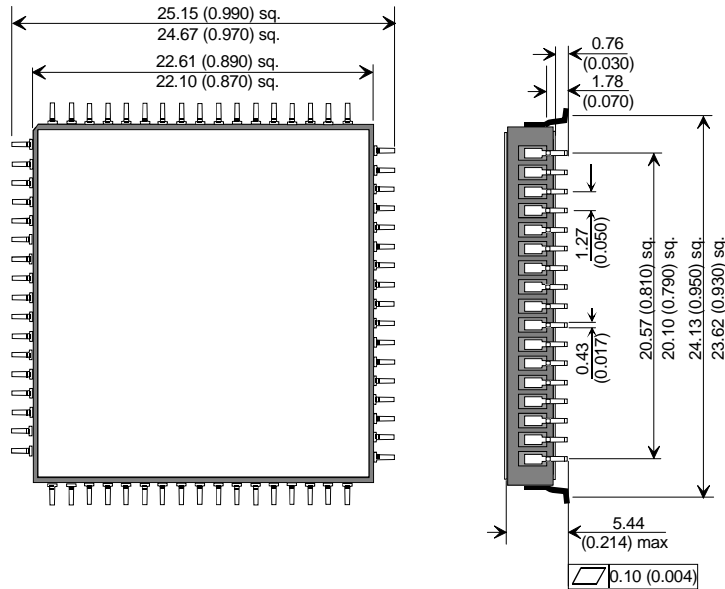
\overline{WE} above refers to $\overline{WE1-4}$ on the TIGA2S4000, 7S4000A AND 7S4000A.

Package Details

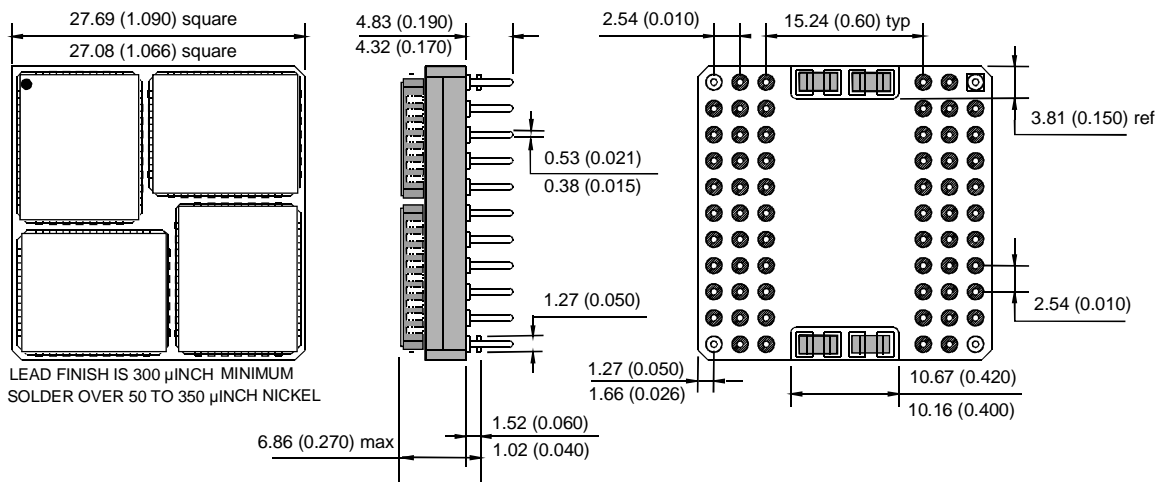
TIGA6S4000



TIGA7S4000

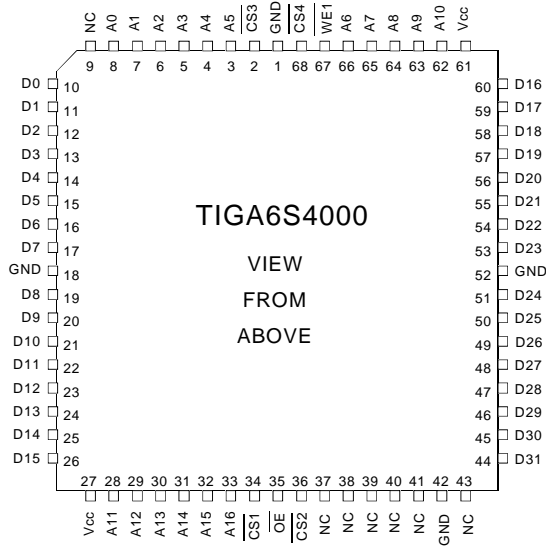


TIGA2S4000

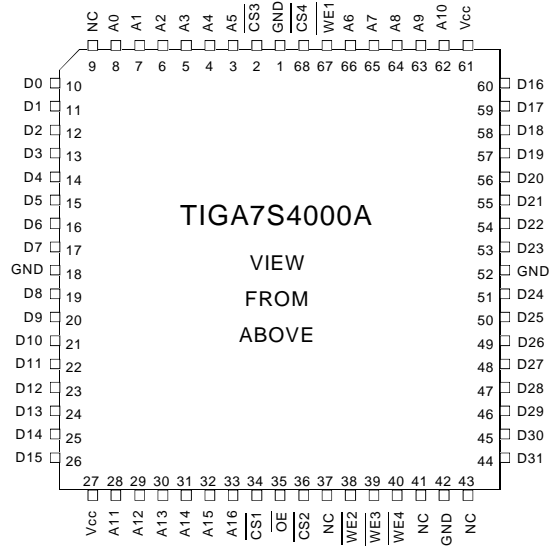


Pin Definitions

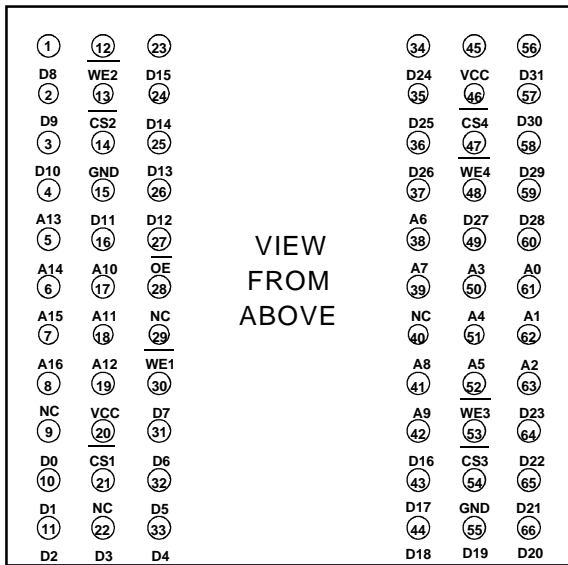
TIGA6S4000 / 7S4000



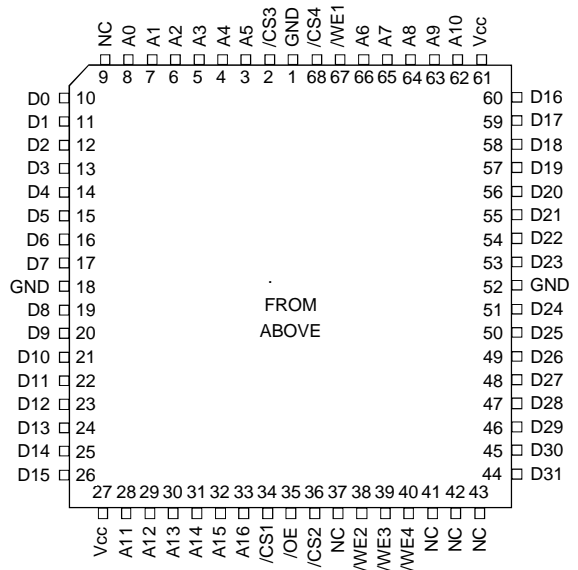
TIGA6S4000A / 7S4000A



TIGA2S4000



TIGA6S4000B / 7S4000B



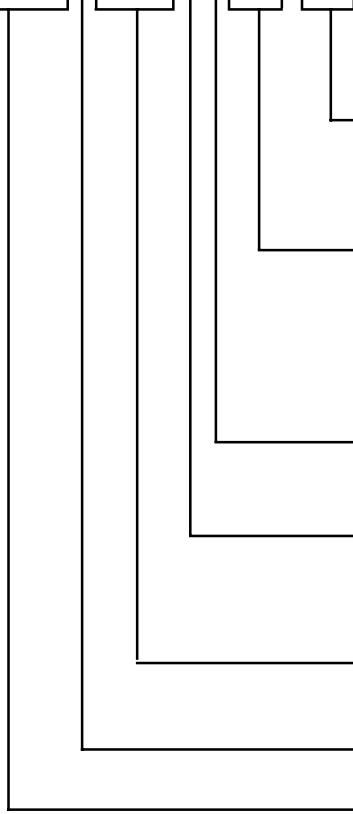
SCREENING**Military Screening Procedure**

MultiChip Screening Flow for high reliability product is in accordance with Mil-883 method 5004 .

MB MULTICHIP MODULE SCREENING FLOW		
SCREEN	TEST METHOD	LEVEL
Visual and Mechanical Internal visual Temperature cycle Constant acceleration	2010 Condition B or manufacturers equivalent 1010 Condition C (10 Cycles, -65°C to +150°C) 2001 Condition B (Y1 & Y2) (10,000g)	100% 100% 100%
Burn-In Pre-Burn-in electrical Burn-in	Per applicable device specifications at $T_A=+25^\circ\text{C}$ $T_A=+125^\circ\text{C}$, 160hrs minimum.	100% 100%
Final Electrical Tests Static (DC) Functional Switching (AC)	Per applicable Device Specification a) @ $T_A=+25^\circ\text{C}$ and power supply extremes b) @ temperature and power supply extremes a) @ $T_A=+25^\circ\text{C}$ and power supply extremes b) @ temperature and power supply extremes a) @ $T_A=+25^\circ\text{C}$ and power supply extremes b) @ temperature and power supply extremes	100% 100% 100% 100% 100% 100%
Percent Defective allowable (PDA)	Calculated at post-burn-in at $T_A=+25^\circ\text{C}$	10%
Hermeticity Fine Gross	1014 Condition A Condition C	100% 100%
Quality Conformance	Per applicable Device Specification	Sample
External Visual	2009 Per vendor or customer specification	100%

Ordering Information

TIGA2S4000ALMB- 20



Speed	20 = 20 ns 25 = 25 ns 35 = 35 ns
Screening	Blank = Commercial Temperature I = Industrial Temperature M = Military Temperature MB = Processed in accordance with MIL-STD-883
Power	Blank = Standard Power L = Low Power
WE Option	Blank = <u>Single WE</u> (TIGA 6 / 7 only) <u>WE1~4</u> (TIGA 2 only) A = WE1~4 (TIGA 6 / 7 only) B = Pinout variant
Organisation	4000 = 128Kx 32, user configurable as 256K x 16 and 512K x 8
Technology	S = SRAM MEMORY
Package	TIGA2 = JEDEC 66 Pin Ceramic PGA package TIGA6 = JEDEC 68 J-Leaded Ceramic Surface Mount package TIGA7 = JEDEC 68 Leaded Gull Wing Ceramic Surface Mount package



Ashley Crt, Henley,
Marlborough, Wilts, SN8 3RH UK
Tel: +44(0)1264 731200
Fax: +44(0)1264 731444
E-mail
info@forcetechnologies.co.uk
tech@forcetechnologies.co.uk
sales@forcetechnologies.co.uk

www.forcetechnologies.co.uk

Unless otherwise stated in this SCD/Data sheet, Force Technologies Ltd reserve the right to make changes, without notice, in the products, including circuits, cells and/or software, described or contained herein in order to improve design and/or performance. Force Technologies resumes no responsibility or liability for the use of any of these products, conveys no licence or any title under patent, copyright, or mask work to these products, and makes no representation or warranties that that these products are free from patent, copyright or mask work infringement, unless otherwise specified.

Life Support Applications

Force Technologies products are not designed for use in life support appliances, devices or systems where malfunction of a Force Technologies product can reasonably be expected to result in a personal injury. Force Technologies customers using or selling Force Technologies products for use in such applications do so at their own risk and agree to fully indemnify Force Technologies for any damages resulting from such improper use or sale.

All trademarks acknowledged

Copyright Force Technologies Ltd 2005