



# HP Series Hall Effect Pushbutton Switch **NEW!**

Pushbutton  
A

## Features/Benefits

- IP68 sealed
- 10,000,000 life cycle
- Multiple colored caps
- Redundant output available

## Typical Applications

- Harsh environments
- Off-Road
- Industrial
- Medical
- Transportation
- Joystick control modules
- Gaming
- Military



## Specifications

FUNCTION: Linear output (See chart on next page)  
MOUNTING TYPE: Front mount, Rear mount

## Mechanical

MECHANICAL TRAVEL: 0.150 (3.81mm)  
SHOCK: 60g 11ms sawtooth wave  
VIBRATION: 10-500Hz 10g max.

## Electrical

SUPPLY VOLTAGE: 5 ± 0.5 VDC  
SUPPLY CURRENT: 10mA max.  
OUTPUT CURRENT: 1mA max.  
OUTPUT VOLTAGE: Programable from 0.5 -4.5V  
ESD PROTECTION: 16kV per EIA-545

## Materials

CASE / BUSHING: Anodized Aluminum  
INSIDE HOUSING: PBT  
CAP: PBT  
ACTUATOR: PBT

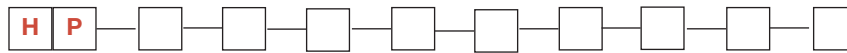
## Operating Environment

OPERATING TEMPERATURE: -40°C to 85°C  
OPERATING LIFE: 10,000,000 cycles  
SEALING: IP68S

**NOTE:** Specifications and materials listed above are for switches with standard options. For information on specific and custom switches, please contact Customer Service.

## Build-A-Switch

To order, simply select desired option from each category and place in the appropriate box.



**Designation**  
**HP** HP Series

**Bushing / Mounting Style**  
**1** Front mount, 5/8-24 thread  
**2** Rear mount, 5/8-24 thread  
**3** Rear mount, 15/32-32 thread

**Cap Style**  
**1** ø .625 Dome (front mount only)  
**2** ø .370 Flat

**Sensor Configuration**  
**S** Single Output  
**D** Dual Output,  
Output 2 mirrors Output 1  
(see figure 1)

**Output Voltage Code**  
**1** V1= 1.0V, V2= 4.0V  
**2** V1= 4.0V, V2= 1.0V  
**3** V1= 0.5V, V2= 4.5V  
**4** V1= 4.5V, V2= 0.5V

**Termination Style**  
**W** 12" wire leads, 22 AWG XLPE (26 AWG for Dual Output)

**Actuation Force**  
**S** 2.7lb (12N)

**Hardware**  
**0** No hardware  
**1** Plated hardware (STD)  
**2** Stainless hardware

**Bushing Finish**  
**1** Clear anodize  
**2** Black anodize (STD)

**Cap Color**  
**1** White  
**2** Black (STD)  
**3** Red  
**4** Orange  
**5** Yellow

Please contact Customer Service for additional options.



Specifications and dimensions subject to change

**NEW!**

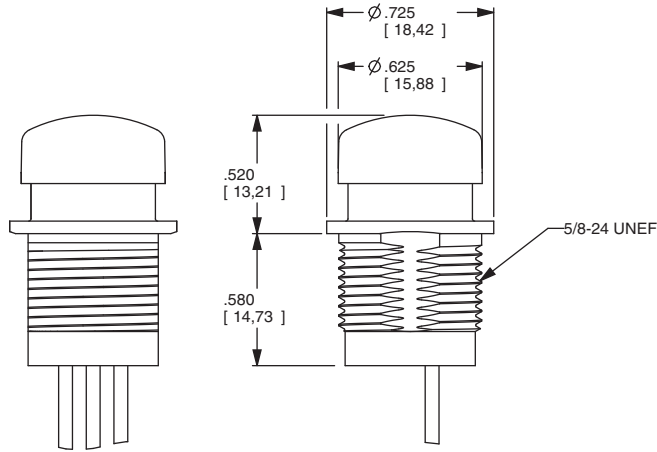
# HP Series Hall Effect Pushbutton Switch



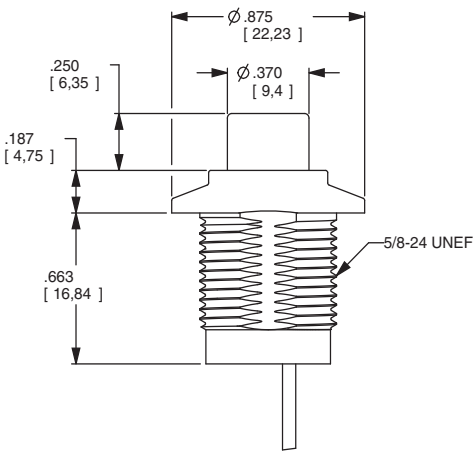
**A**

Pushbutton

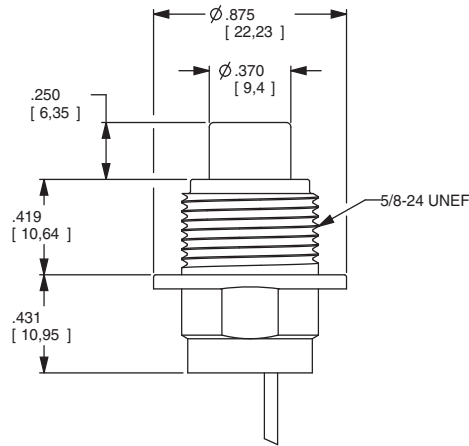
## STANDARD VIEW



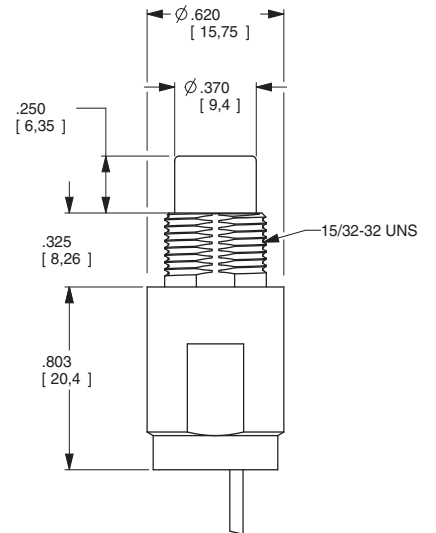
HP11



HP12



HP22



HP32

FIGURE 1: OUTPUT VOLTAGE

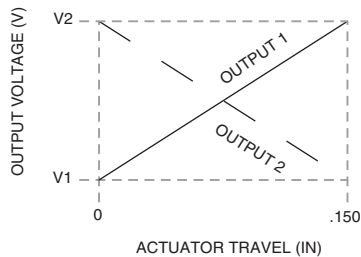
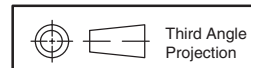
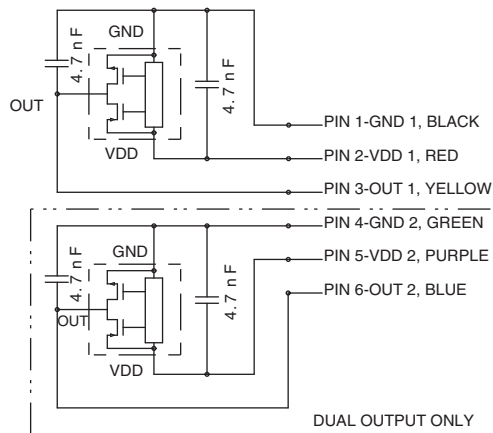


FIGURE 2- SCHEMATIC



Dimensions are shown: Inches (mm)  
Specifications and dimensions subject to change

