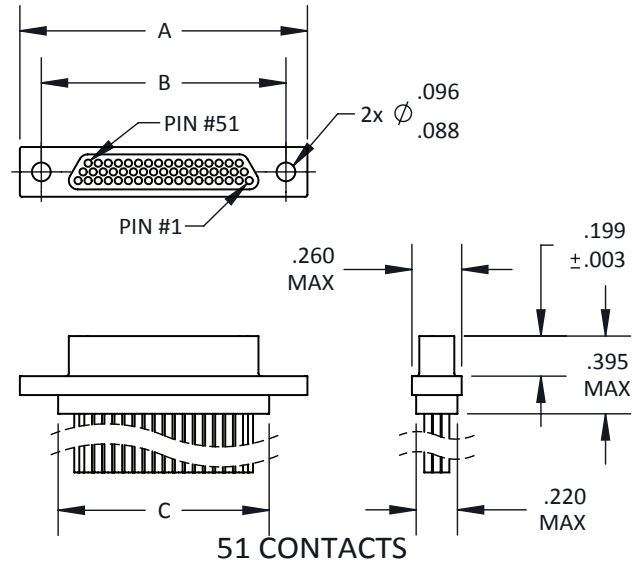
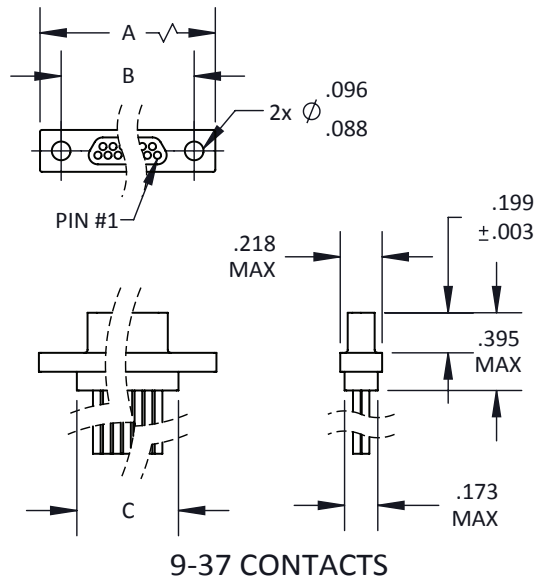
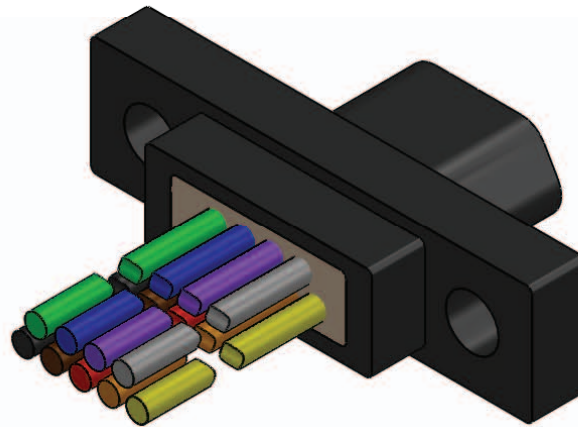
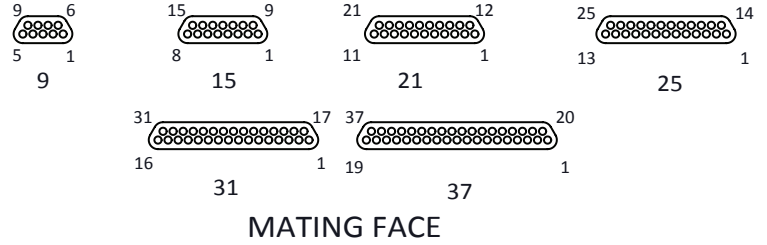
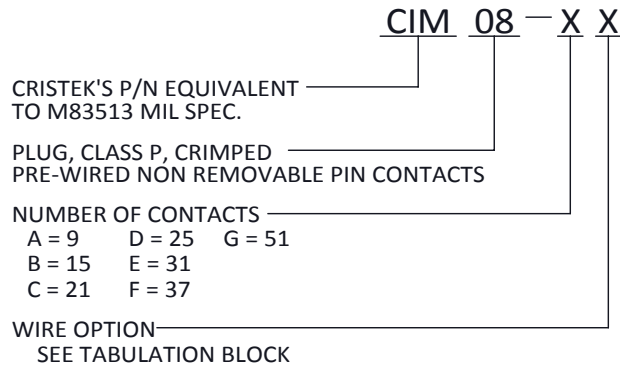


NO. OF CONTACTS	A MAX	B BSC	C MAX
9	.785	.565	.400
15	.935	.715	.550
21	1.085	.865	.700
25	1.185	.965	.800
31	1.335	1.115	.950
37	1.485	1.265	1.100
51	1.435	1.215	1.050
100	2.170	1.800	1.442



WIRE OPTIONS TABULATION BLOCK						
LENGTH	+1.00 -0.00			+0.020 -.000		WIRE TYPE
	18"	36"	72"	.5"	1.0"	
DASH NUMBER	01	02	13	/	/	M22759/11-26-9 (ALL WHITE)
	03	04	14	/	/	M22759/11-26-*** COLOR CODE PER M83513
	09	10	15	/	/	M22759/33-26-9 (ALL WHITE)
	11	12	16	/	/	M22759/33-26-*** COLOR CODE PER M83513
	/	/	/	05	/	QQ-W-343, TYPE S 25 AWG GOLD PLATE .000010" MIN
	/	/	/	/	06	QQ-W-343, TYPE S 25 AWG GOLD PLATE .000010" MIN
	/	/	/	/	07	QQ-W-343, TYPE S 25 AWG TIN/LEAD PLATE .000100" MIN
	/	/	/	/	08	QQ-W-343, TYPE S 25 AWG TIN/LEAD PLATE .000100" MIN



MATERIALS AND FINISHES ARE IAQ MIL-DTL-83513 FOR DETAILS SEE MIL SPEC OR WWW.CRISTEK.COM

1. MATERIALS:

ONE PIECE SHELL/INSULATOR - GLASS FILLED THERMOPLASTIC  
PIN CONTACT - COPPER ALLOY  
WIRE - SEE TABULATION BLOCK

2. FINISH:

PIN CONTACT - COPPER ALLOY

3. SPECIFICATIONS:

CURRENT RATING ----- 3 AMPS MAX  
TEMPERATURE RATING ----- -55° C TO +125° C  
INSULATION RESISTANCE ----- 5000 MEGOHMS MIN  
DWV AT SEA LEVEL ----- 600 VAC  
DWV AT 70,000 FT ALTITUDE ----- 150 VAC  
CONTACT RESISTANCE :  
26 AWG (STRANDED) = 28 MILLIOHMS MAX  
24 & 25 AWG (SOLID) = 25 MILLIOHMS MAX  
CONTACT RETENTION ----- 5 lb MINIMUM AXIAL LOAD  
ENGAGEMENT FORCE ----- 6 oz MAX  
SEPARATION FORCE ----- 0.5 oz MIN

4. ADDITIONAL INFORMATION:

FOR CROSS-REFERENCING CRISTEK PART NUMBERS TO M83513, SEE CROSS REFERENCE INFORMATION IN THE FRONT OF THIS SECTION. FOR MOUNTING HARDWARE OPTIONS, SEE THE HARDWARE PAGES AT THE END OF THIS SECTION