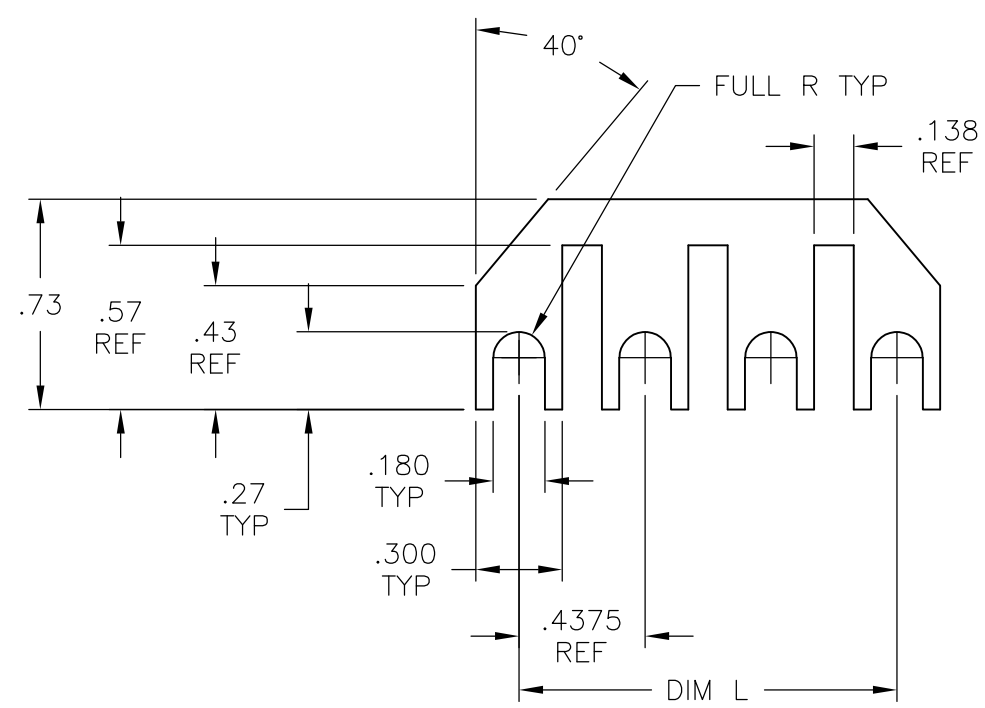


THIS DRAWING IS UNPUBLISHED. RELEASED FOR PUBLICATION
 © COPYRIGHT - By - ALL RIGHTS RESERVED.


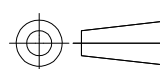
LOC	DIST	REVISIONS			
P	LTR	DESCRIPTION	DATE	DWN	APVD
FT	0	A1	REVISED PER ECO-11-005027	11MAR11	RK HMR

NOTES:

- 1. MATERIAL: .020 TIN PLATED COPPER ALLOY.
- 2. FOR USE WITH .4375" BARRIER STRIPS.



1.313	J8-04	5-1437644-6
.875	J8-03	5-1437644-5
.438	J8-02	5-1437644-4
DIM L	CATALOG NUMBER	PART NUMBER

THIS DRAWING IS A CONTROLLED DOCUMENT.		DWN S SCHLEGEL 04DEC03	 TE Connectivity		
DIMENSIONS: INCHES		CHK S YODER 12/4/03			
		APVD S YODER 12/4/03	NAME J8 JUMPER		
TOLERANCES UNLESS OTHERWISE SPECIFIED: 0 PLC ± - 1 PLC ± .02 2 PLC ± .005 3 PLC ± - 4 PLC ± - ANGLES ± 2°		PRODUCT SPEC -	-		
MATERIAL - 1		APPLICATION SPEC -	SIZE A3	CAGE CODE 00779	DRAWING NO C-5-1437644-4
FINISH -		WEIGHT -	RESTRICTED TO -		
CUSTOMER DRAWING			SCALE NTS	SHEET 1 OF 1	REV A1