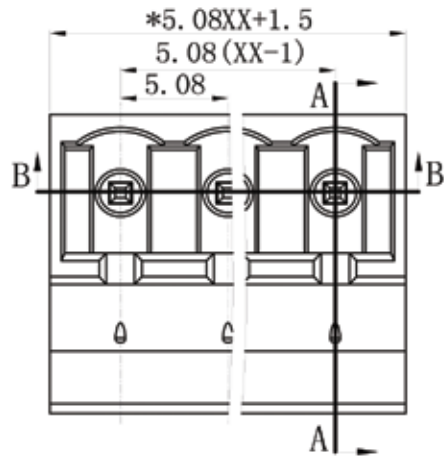
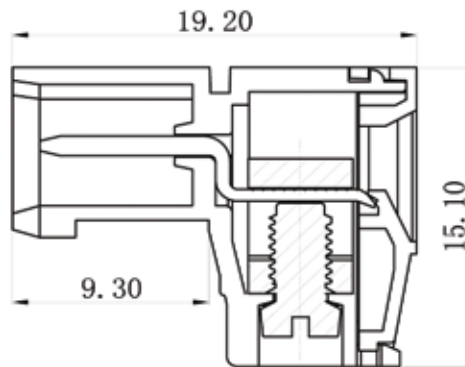
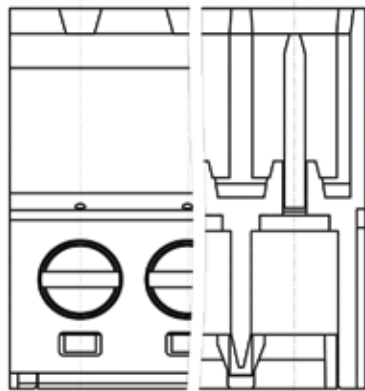


euro-block

product specification



SECTION B-B



SECTION A-A

Electrical

Standard: UL-IEC
 Rated voltage: 300V-320V
 Rated current: 15A-20A
 Contact resistance: 20mΩ
 Insulation resistance: 5000M Ω/DC1000V
 Wire range: 28-14AWG-2.5mm²
 Withstanding voltage: AC2000V/1Min

Mechanical

Temp.Range: -40°C~+105°C
 Torque: 0.4Nm (3.6 Lb'in)
 Strip length: 7mm
 MAX soldering: +250°C, for 5 sec

Dimensions

Pitch: 5.08mm
 Poles: 2p-xxp

Material

Housing: PA66, UL94V-0
 Screws: M2.5 steel Zinc plated
 Pin header: Phosphor bronze, Tin plated
 Clamp: Brass, Ni plated

TOLERANCES EXCEPT AS NOTED

	linear dimension				fillet	chamfer	∠ short angle sid				≡	—	□	//	⊥		
	over	over	over	over			over	over	over	over						over	over
variable	6	30	120	480		6		10	50	120			5	30	120		
range	to	to	to	to	all	to	to	to	to	to	all	to	to	to	to		
tolerance	±0.1	±0.2	±0.3	±0.5	±0.9	±0.2	±0.5	±1	1°	30'	20'	10'	0.5	0.025	0.06	0.12	0.4

UNITS	mm	SIZE	A4	SCALE	FIRST ANGLE PROJECTION	
					NAME	CRS-5/5.08