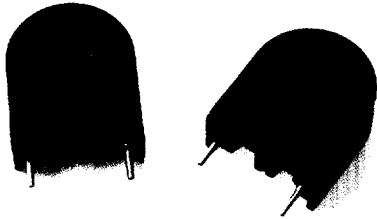


BCC TYPE Series



PRODUCT IDENTIFICATION

BCC 13 07 RI -203 -HF

Material
Inductance 20 mH
Core Type
B Dim.
A Dim.
BCC Type

APPLICATIONS

Designed for Switching Power Supply Application

FEATURES

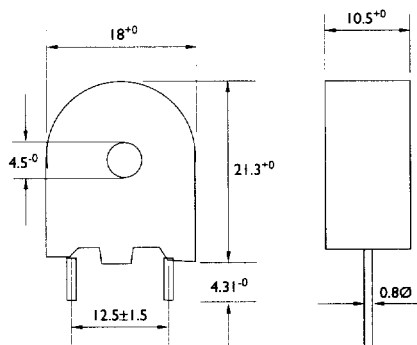
Sturdy Construction

SPECIFICATIONS

MODEL	Inductance L(mH) @ 1KHz	RDC (Ω)
BCC 1307RI-203-HF	20 ⁻⁰	1.4 ⁺⁰
BCC 1307RI-803-HF	80 ⁻⁰	4.5 ⁺⁰

DIMENSIONS

Dimensions : mm



TEST INSTRUMENTS

L : HP 4284A Digital LCR Meter

RDC : Milliohm Meter HP-4338B