

MC68HC16Z1

Technical Summary **16-Bit Modular Microcontroller**

1 Introduction

The MC68HC16Z1 is a high-speed 16-bit control unit that is upwardly code compatible with M68HC11 controllers. It is a member of the M68300/68HC16 Family of modular microcontrollers.

M68HC16 controllers are built up from standard modules that interface through a common internal bus. Standardization facilitates rapid development of devices tailored for specific applications.

The MC68HC16Z1 incorporates a true 16-bit central processing unit (CPU16), a system integration module (SIM), an 8/10-bit analog-to-digital converter (ADC), a queued serial module (QSM), a general-purpose timer (GPT), and a 2048-byte standby RAM (SRAM). These modules are interconnected by the intermodule bus (IMB).

Maximum system clock for the MC68HC16Z1 is 16.78 MHz. A phase-locked loop circuit synthesizes the clock from a frequency reference. Either a crystal (nominal frequency: 32.768 kHz) or an externally generated signal can be used. System hardware and software support changes in clock rate during operation. Because the MC68HC16Z1 is a fully static design, register and memory contents are not affected by clock rate changes.

High-density complementary metal-oxide semiconductor (HCMOS) architecture makes the basic power consumption of the MC68HC16Z1 low. Power consumption can be minimized by stopping the system clock. The M68HC16 instruction set includes a low-power stop (LPSTOP) command that efficiently implements this capability.



This document contains information about a new product. Specifications and information herein are subject to change without notice.



MOTOROLA

Ordering Information

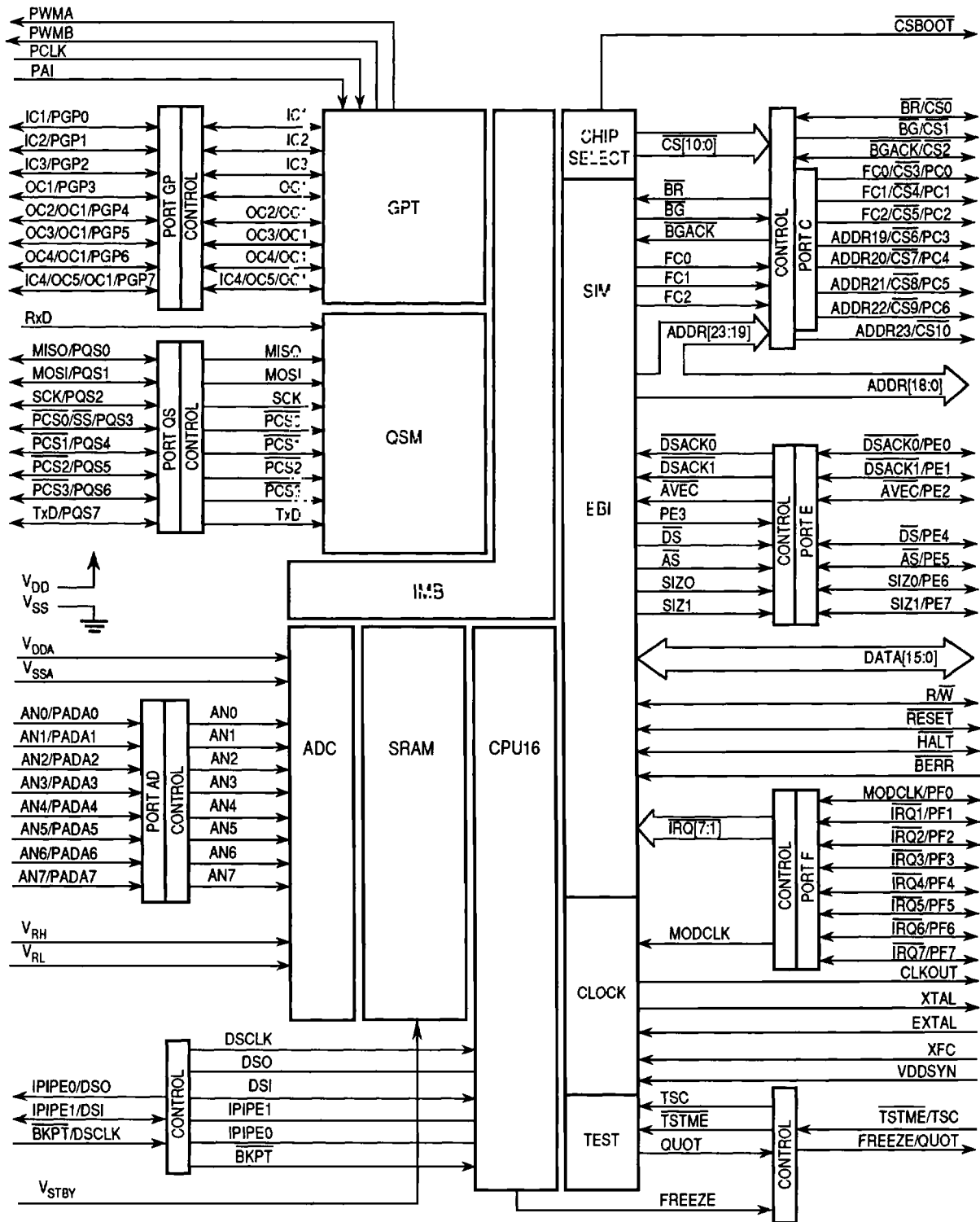
Device Package	Temperature Range (°C)	Reference Frequency	Shipping Method	Order Number	
132-PIN PLASTIC SURFACE MOUNT	-40 to 85	16.78 MHz	36 PER TRAY	XC16Z1CFC16	
			2 PER TRAY	SPAKXC16Z1CFC16	
		20 MHz	36 PER TRAY	XC16Z1CFC20	
			2 PER TRAY	SPAKXC16Z1CFC20	
		25 MHz	36 PER TRAY	XC16Z1CFC25	
			2 PER TRAY	SPAKXC16Z1CFC25	
	-40 to 105	16.78 MHz	36 PER TRAY	XC16Z1VFC16	
			2 PER TRAY	SPAKXC16Z1VFC16	
		20 MHz	36 PER TRAY	XC16Z1VFC20	
			2 PER TRAY	SPAKXC16Z1VFC20	
		25 MHz	36 PER TRAY	XC16Z1VFC25	
			2 PER TRAY	SPAKXC16Z1VFC25	
	-40 to 125	16.78 MHz	36 PER TRAY	XC16Z1MFC16	
			2 PER TRAY	SPAKXC16Z1MFC16	
		20 MHz	36 PER TRAY	XC16Z1MFC20	
2 PER TRAY			SPAKXC16Z1MFC20		
25 MHz		36 PER TRAY	XC16Z1MFC25		
		2 PER TRAY	SPAKXC16Z1MFC25		
132-PIN MOLDED CARRIER RING	-40 to 85	16.78 MHz	10 PER TUBE	XC16Z1CFD16	
		20 MHz	10 PER TUBE	XC16Z1CFD20	
		25 MHz	10 PER TUBE	XC16Z1CFD25	
	-40 to 105	16.78 MHz	10 PER TUBE	XC16Z1VFD16	
		20 MHz	10 PER TUBE	XC16Z1VFD20	
		25 MHz	10 PER TUBE	XC16Z1VFD25	
	-40 to 125	16.78 MHz	10 PER TUBE	XC16Z1MFD16	
		20 MHz	10 PER TUBE	XC16Z1MFD20	
		25 MHz	10 PER TUBE	XC16Z1MFD25	
	144-PIN PLASTIC SURFACE MOUNT	-40 to 85	16.78 MHz	44 PER TRAY	XC16Z1CFV16
				2 PER TRAY	SPAKXC16Z1CFV16
			20 MHz	44 PER TRAY	XC16Z1CFV20
2 PER TRAY				SPAKXC16Z1CFV20	
25 MHz			44 PER TRAY	XC16Z1CFV25	
			2 PER TRAY	SPAKXC16Z1CFV25	
-40 to 105		16.78 MHz	44 PER TRAY	XC16Z1VfV16	
			2 PER TRAY	SPAKXC16Z1VfV16	
		20 MHz	44 PER TRAY	XC16Z1VfV20	
			2 PER TRAY	SPAKXC16Z1VfV20	
		25 MHz	44 PER TRAY	XC16Z1VfV25	
			2 PER TRAY	SPAKXC16Z1VfV25	
-40 to 125		16.78 MHz	44 PER TRAY	XC16Z1MFV16	
			2 PER TRAY	SPAKXC16Z1MFV16	
		20 MHz	44 PER TRAY	XC16Z1MFV20	
			2 PER TRAY	SPAKXC16Z1MFV20	
		25 MHz	44 PER TRAY	XC16Z1MFV25	
			2 PER TRAY	SPAKXC16Z1MFV25	
144-PIN MOLDED CARRIER RING	-40 to 85	16.78 MHz	13 PER TUBE	XC16Z1CFM16	
		20 MHz	13 PER TUBE	XC16Z1CFM20	
		25 MHz	13 PER TUBE	XC16Z1CFM25	
	-40 to 105	16.78 MHz	13 PER TUBE	XC16Z1VFM16	
		20 MHz	13 PER TUBE	XC16Z1VFM20	
		25 MHz	13 PER TUBE	XC16Z1VFM25	
	-40 to 125	16.78 MHz	13 PER TUBE	XC16Z1MFM16	
		20 MHz	13 PER TUBE	XC16Z1MFM20	
		25 MHz	13 PER TUBE	XC16Z1MFM25	

Table Of Contents

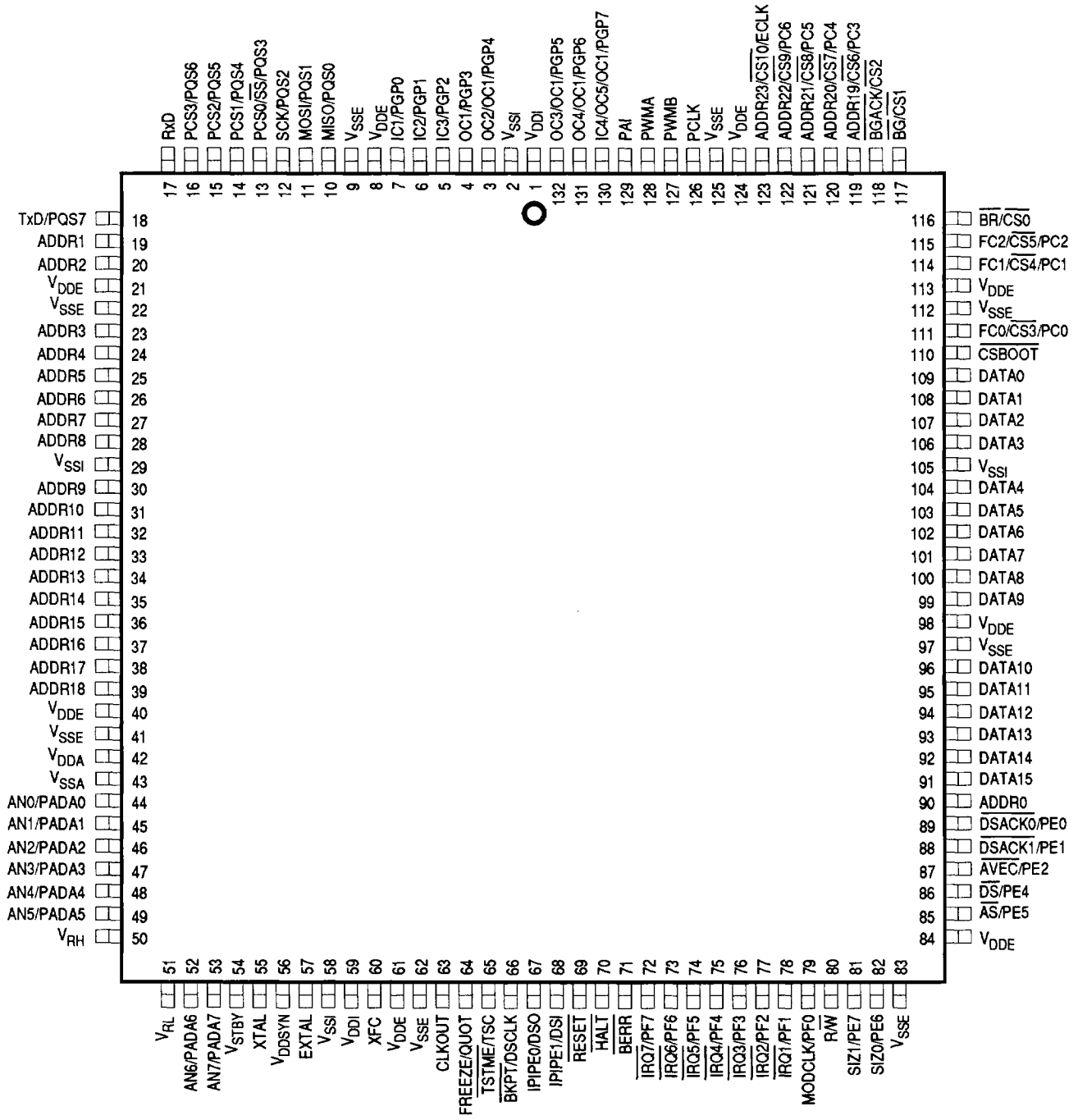
1 Introduction.....	1
1.1 Features.....	4
1.2 Pin Description.....	8
1.3 Signal Description.....	10
1.4 Internal Register Address Map.....	13
1.5 Pseudolinear Memory Maps.....	13
2 Intermodule Bus.....	16
3 CPU16.....	16
3.1 Overview.....	16
3.2 M68HC11 Compatibility.....	16
3.3 Programmer's Model.....	17
3.4 Data Types.....	19
3.5 Addressing Modes.....	19
3.6 Instruction Set.....	20
3.7 Exceptions.....	37
4 System Integration Module.....	40
4.1 System Configuration and Protection.....	43
4.2 System Configuration.....	44
4.3 System Protection.....	46
4.4 System Clock.....	48
4.5 External Bus Interface.....	53
4.6 Resets.....	66
4.7 Interrupts.....	70
4.8 Factory Test Block.....	72
5 Analog-to-Digital Converter Module.....	73
5.1 Analog Subsystem.....	73
5.2 Digital Control Subsystem.....	73
5.3 Bus Interface Subsystem.....	73
5.4 ADC Registers.....	76
6 Queued Serial Module.....	82
6.1 QSM Registers.....	84
6.2 QSPI Submodule.....	88
6.3 SCI Submodule.....	96
7 Standby RAM Module.....	102
7.1 SRAM Register Block.....	102
7.2 SRAM Registers.....	102
7.3 SRAM Operation.....	104
8 General-Purpose Timer Module.....	105
8.1 Capture/Compare Unit.....	106
8.2 Pulse-Width Modulator.....	108
8.3 GPT Registers.....	110
9 Electrical Characteristics.....	118
10 Summary of Changes.....	146

1.1 Features

- CPU16
 - 16-Bit Architecture
 - Full Set of 16-Bit Instructions
 - Three 16-Bit Index Registers
 - Two 16-Bit Accumulators
 - Control-Oriented Digital Signal Processing Capability
 - 1 Megabyte of Program Memory and 1 Megabyte of Data Memory
 - High-Level Language Support
 - Fast Interrupt Response Time
 - Background Debugging Mode
 - Fully Static Operation
- System Integration Module
 - External Bus Support
 - Programmable Chip-Select Outputs
 - System Protection Logic
 - Watchdog Timer, Clock Monitor, and Bus Monitor
 - Two 8-Bit Dual Function Ports
 - One 7-Bit Dual Function Port
 - Phase-Locked Loop (PLL) Clock System
- 8/10-Bit Analog-to-Digital Converter
 - Eight Channels, Eight Result Registers
 - Eight Automated Modes
 - Three Result Alignment Modes
 - One 8-Bit Digital Input Port
- Queued Serial Module
 - Enhanced Serial Communication Interface
 - Queued Serial Peripheral Interface
 - One 8-Bit Dual Function Port
- General-Purpose Timer
 - Two 16-Bit Free-Running Counters with Prescaler
 - Three Input Capture Channels
 - Four Output Compare Channels
 - One Input Capture/Output Compare Channel
 - One Pulse Accumulator/Event Counter Input
 - Two Pulse Width Modulation Outputs
 - One 8-Bit Dual Function Port
 - Two Optional Discrete Inputs
 - Optional External Clock Input
- Standby RAM
 - 1024-Byte Static RAM
 - External Standby Voltage Supply Input



MC68HC16Z1 Block Diagram



MC68HC16Z1 132-Pin Package Pin Assignments

1.2 Pin Description

The following table shows MC68HC16Z1 pins and their characteristics. All inputs detect CMOS logic levels. All inputs can be put in a high-impedance state, but the method of doing this differs depending upon pin function. Refer to the table, MC68HC16Z1 Driver Types, for a description of output drivers. An entry in the discrete I/O column of the MC68HC16Z1 Pin Characteristics table indicates that a pin has an alternate I/O function. The port designation is given when it applies. Refer to the MC68HC16Z1 Block Diagram for information about port organization.

MC68HC16Z1 Pin Characteristics

Pin Mnemonic	Output Driver	Input Synchronized	Input Hysteresis	Discrete I/O	Port Designation
ADDR23/CS10/ECLK	A	Y	N	O	—
ADDR[22:19]/CS[9:6]	A	Y	N	O	C[6:3]
ADDR[18:0]	A	Y	N	—	—
AN[7:0] ¹	—	Y	N	I	ADA[7:0]
AS	B	Y	N	I/O	E5
AVEC	B	Y	N	I/O	E2
BERR	B	Y	N	—	—
BG/CS1	B	—	—	—	—
BGACK/CS2	B	Y	N	—	—
BKPT/DSCKL	—	Y	Y	—	—
BR/CS0	B	Y	N	O	Separate
CLKOUT	A	—	—	—	—
CSBOOT	B	—	—	—	—
DATA[15:0] ¹	AW	Y	N	—	—
DS	B	Y	N	I/O	E4
DSACK1	B	Y	N	I/O	E1
DSACK0	B	Y	N	I/O	E0
DSI/IP1E1	A	Y	Y	—	Separate
DSO/IP1E0	A	—	—	—	Separate
EXTAL ²	—	—	Special	—	—
FC[2:0]/CS[5:3]	A	Y	N	O	C[2:0]
FREEZE/QUOT	A	—	—	—	—
HALT	Bo	Y	N	—	—
IC4/OC5	A	Y	Y	I/O	GP4
IC[3:1]	A	Y	Y	I/O	GP[7:5]
IRQ[7:1]	B	Y	Y	I/O	F[7:1]
MISO	Bo	Y	Y	I/O	QS0
MODCLK ¹	B	Y	N	I/O	F0
MOSI	Bo	Y	Y	I/O	QS1
OC[4:1]	A	Y	Y	I/O	GP[3:0]
PAI ³	—	Y	Y	I	Separate
PCLK ³	—	Y	Y	I	Separate
PCS0/SS	Bo	Y	Y	I/O	QS3
PCS[3:1]	Bo	Y	Y	I/O	QS[6:4]
PWMA, PWMB ⁴	A	—	—	O	Separate
R/W	A	Y	N	—	—
RESET	Bo	Y	Y	—	—

MC68HC16Z1 Pin Characteristics (Continued)

Pin Mnemonic	Output Driver	Input Synchronized	Input Hysteresis	Discrete I/O	Port Designation
RXD	—	N	N	—	—
SCK	Bo	Y	Y	I/O	QS2
SIZ[1:0]	B	Y	N	I/O	E[7:6]
TSTME/TSC	—	Y	Y	—	—
TXD	Bo	Y	Y	I/O	QS7
V _{RH} ⁵	—	—	—	—	—
V _{RL} ⁵	—	—	—	—	—
XFC ²	—	—	—	Special	—
XTAL ²	—	—	—	Special	—

NOTES

1. DATA[15:0] are synchronized during reset only. MODCLK, MCC1 and ADC pins are synchronized only when used as input port pins.
2. EXTAL, XFC, and XTAL are clock reference connections.
3. PAI and PCLK can be used for discrete input, but are not part of an I/O port.
4. PWMA and PWMB can be used for discrete output, but are not part of an I/O port.
5. V_{RH} and V_{RL} are ADC reference voltage inputs.

MC68HC16Z1 Power Connections

V _{STBY}	Standby RAM Power/Clock Synthesizer Power
V _{DDSYN}	Clock Synthesizer Power
V _{DDA} /V _{SSA}	A/D Converter Power
V _{SSE} /V _{DDE}	External Periphery Power (Source and Drain)
V _{SSI} /V _{DDI}	Internal Module Power (Source and Drain)

MC68HC16Z1 Driver Types

Type	I/O	Description
A	O	Output-only signals that are always driven; no external pull-up required
Aw	O	Type A output with weak P-channel pull-up during reset
B	O	Three-state output that includes circuitry to pull up output before high impedance is established, to ensure rapid rise time. An external holding resistor is required to maintain logic level while the pin is in the high-impedance state.
Bo	O	Type B output that can be operated in an open-drain mode

1.3 Signal Description

Use the following tables as a quick reference to MC68HC16Z1 signal type and function.

MC68HC16Z1 Signal Characteristics

Signal Name	MCU Module	Signal Type	Active State
ADDR[23:0]	SIM	Bus	—
AN[7:0]	ADC	Input	—
AS	SIM	Output	0
$\overline{\text{AVEC}}$	SIM	Input	0
$\overline{\text{BERR}}$	SIM	Input	0
$\overline{\text{BG}}$	SIM	Output	0
$\overline{\text{BGACK}}$	SIM	Input	0
$\overline{\text{BKPT}}$	CPU16	Input	0
$\overline{\text{BR}}$	SIM	Input	0
CLKOUT	SIM	Output	—
CS[10:0]	SIM	Output	0
$\overline{\text{CSBOOT}}$	SIM	Output	0
DATA[15:0]	SIM	Bus	—
$\overline{\text{DS}}$	SIM	Output	0
$\overline{\text{DSACK}}[1:0]$	SIM	Input	0
DCLK	CPU16	Input	Serial Clock
DSI	CPU16	Input	(Serial Data)
DSO	CPU16	Output	(Serial Data)
EXTAL	SIM	Input	—
FC[2:0]	SIM	Output	—
$\overline{\text{FREEZE}}$	SIM	Output	1
HALT	SIM	Input/Output	0
IC[4:1]	GPT	Input	—
IPIPE0	CPU16	Output	—
IPIPE1	CPU16	Output	—
$\overline{\text{IRQ}}[7:1]$	SIM	Input	0
MISO	QSM	Input/Output	—
MODCLK	SIM	Input	—
MOSI	QSM	Input/Output	—
OC[5:1]	GPT	Output	—
PADA[7:0]	ADC	Input	(Port)
PAI	GPT	Input	—
PC[6:0]	SIM	Output	(Port)
PE[7:0]	SIM	Input/Output	(Port)
PF[7:0]	SIM	Input/Output	(Port)
PGP[7:0]	GPT	Input/Output	(Port)
PQS[7:0]	QSM	Input/Output	(Port)
PCLK	GPT	Input	—
PCS[3:0]	QSM	Input/Output	—
PWMA, PWMB	GPT	Output	—
QUOT	SIM	Output	—

MC68HC16Z1 Signal Characteristics (Continued)

Signal Name	MCU Module	Signal Type	Active State
R/W	SIM	Output	1/0
RESET	SIM	Input/Output	0
RXD	QSM	Input	—
SCK	QSM	Input/Output	—
SIZ[1:0]	SIM	Output	—
SS	QSM	Input	0
TSC	SIM	Input	—
TSTME	SIM	Input	0
TXD	QSM	Output	—
V _{RH}	ADC	Input	—
V _{RL}	ADC	Input	—
XFC	SIM	Input	—
XTAL	SIM	Output	—

MC68HC16Z1 Signal Function

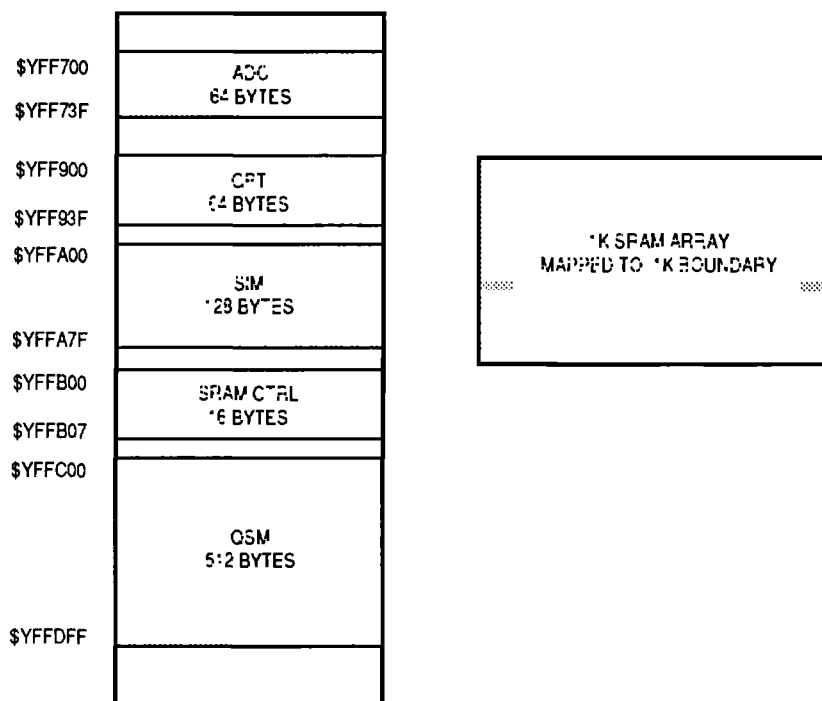
Signal Name	Mnemonic	Function
Address Strobe	AS	Indicates that a valid address is on the address bus
Autovector	AVEC	Requests an automatic vector during interrupt acknowledge
Bus Error	BERR	Indicates that a bus error has occurred
Bus Grant	BG	Indicates that the MCU has relinquished the bus
Bus Grant Acknowledge	BGACK	Indicates that an external device has assumed bus mastership
Breakpoint	BKPT	Signals a hardware breakpoint to the CPU
Bus Request	BR	Indicates that an external device requires bus mastership
Chip Selects	CS[10:0]	Select external devices at programmed addresses
Boot Chip Select	CSBOOT	Chip select for external boot startup ROM
Address Bus	ADDR[19:0]	20-bit address bus used by CPU16
Address Bus	ADDR[23:20]	4 MSB on IMB, test only, outputs follow ADDR19
ADC Analog Input	AN[7:0]	Inputs to ADC MUX
System Clockout	CLKOUT	System clock output
Data Bus	DATA[15:0]	16-bit data bus
Data Strobe	DS	During a read cycle, indicates that an external device should place valid data on the data bus. During a write cycle, indicates that valid data is on the data bus
Halt	HALT	Suspend external bus activity
Interrupt Request Level	IRQ[7:1]	Provides an interrupt priority level to the CPU
Data and Size Acknowledge	DSACK[1:0]	Provide asynchronous data transfers and dynamic bus sizing
Peripheral Chip Select	PCS[3:0]	QSPI peripheral chip selects
Reset	RESET	System reset
Test Mode Enable	TSTME	Hardware enable for SIM test mode
Development Serial In, Out, Clock	DSI, DSO, DSCLK	Serial I/O and clock for background debug mode

MC68HC16Z1 Signal Function (Continued)

Signal Name	Mnemonic	Function
Crystal Oscillator	EXTAL, XTAL	Connections for clock synthesizer circuit reference; a crystal or an external oscillator can be used
Function Codes	FC[2:0]	Identify processor state and current address space
Freeze	FREEZE	Indicates that the CPU has entered background mode
Instruction Pipeline	PIPE[1:0]	Indicate instruction pipeline activity
Master In Slave Out	MISO	Serial input to QSPI in master mode; serial output from QSPI in slave mode
Clock Mode Select	MODCLK	Selects the source and type of system clock
Master Out Slave In	MOSI	Serial output from QSPI in master mode; serial input to QSPI in slave mode
Port ADA	PADA[7:0]	ADC digital input port signals
Port C	PC[6:0]	SIM digital output port signals
Port E	PE[7:0]	SIM digital I/O port signals
Port F	PF[7:0]	SIM digital I/O port signals
Port GP	PGP[7:0]	GPT digital I/O port signals
Port QS	PQS[7:0]	QSM digital I/O port signals
Quotient Out	QUOT	Provides the quotient bit of the polynomial divider
Read/Write	$\overline{R/W}$	Indicates the direction of data transfer on the bus
SCI Receive Data	RXD	Serial input to the SCI
QSPI Serial Clock	SCK	Clock output from QSPI in master mode; clock input to QSPI in slave mode
Size	SIZ[1:0]	Indicates the number of bytes to be transferred during a bus cycle
Slave Select	\overline{SS}	Causes serial transmission when QSPI is in slave mode; causes mode fault in master mode
Three-State Control	TSC	Places all output drivers in a high-impedance state
SCI Transmit Data	TXD	Serial output from the SCI
ADC Reference Voltage	V_{RH}, V_{RL}	Provide precise reference for A/D conversion
External Filter Capacitor	XFC	Connection for external phase-locked loop filter capacitor

1.4 Internal Register Address Map

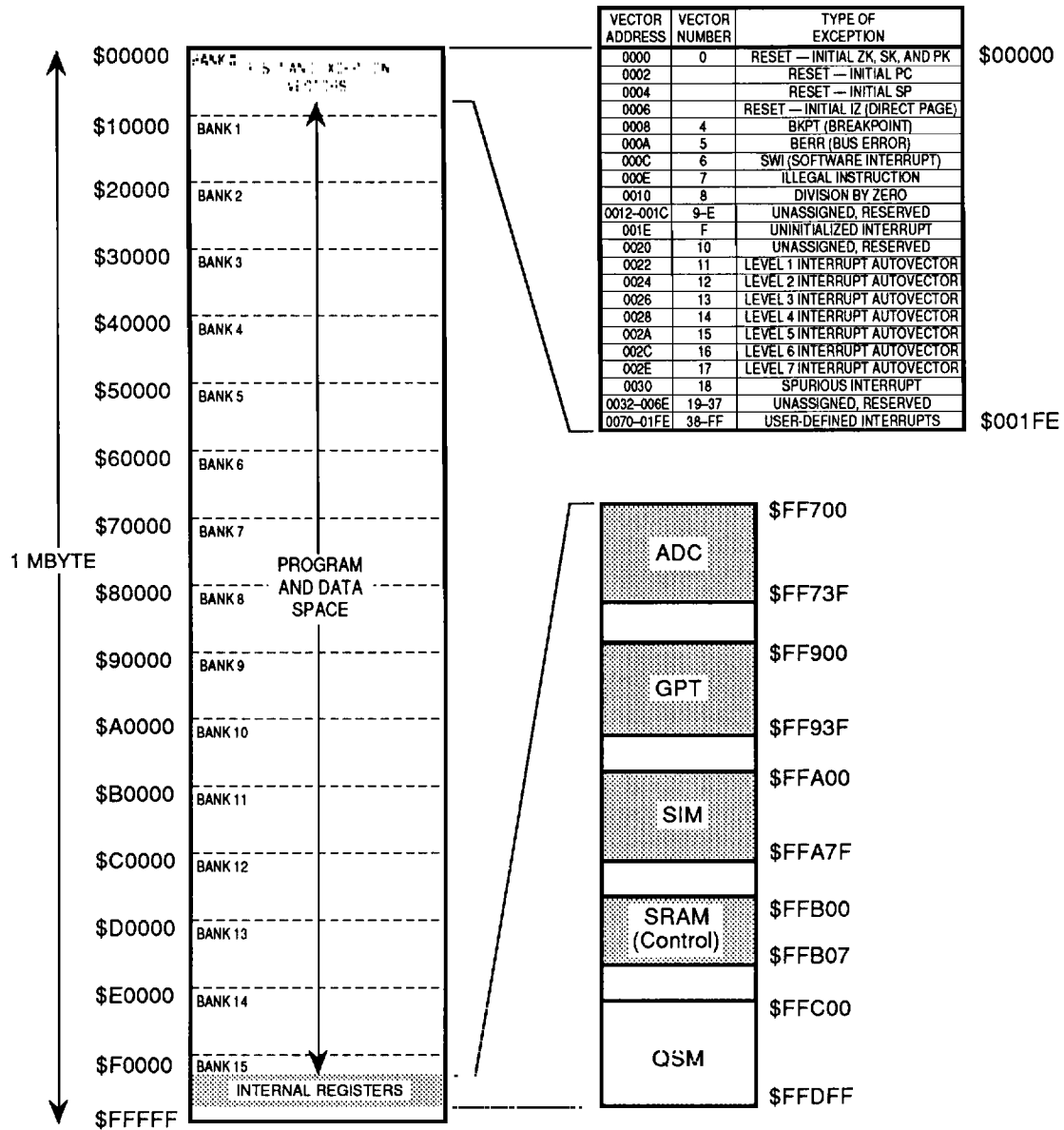
In the following figure, IMB ADDR[23:20] are represented by the letter Y. The value represented by Y determines the base address of MCU module control registers. In the MC68HC16Z1, Y is equal to M111, where M is the logic state of the module mapping (MM) bit in the system integration module configuration register (SIMCR). Since the CPU16 uses only ADDR[19:0], and ADDR[23:20] follow the logic state of ADDR19 when CPU driven, the CPU cannot access IMB addresses from \$080000 to \$F7FFFF. In order for the MCU to function correctly, MM must be set (Y must equal \$F). If M is cleared, internal registers are mapped to base address \$700000, and are inaccessible until a reset occurs. The SRAM array is positioned by a base address register in the SRAM CTRL block. Unimplemented blocks are mapped externally.



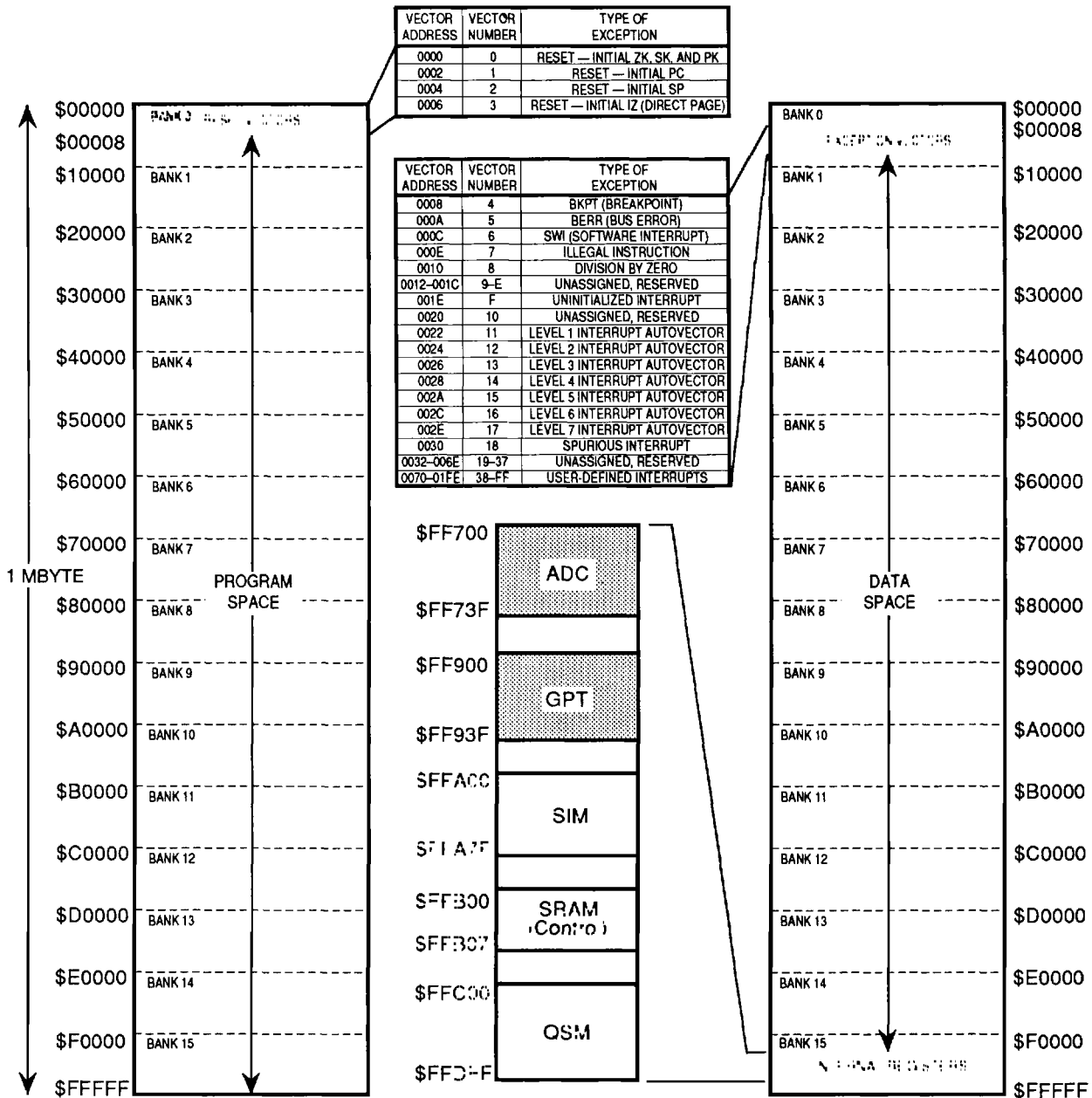
Internal Register Addresses

1.5 Pseudolinear Memory Maps

The following figures both show the complete CPU16 pseudolinear address space. Address space can be split into physically distinct program and data spaces by decoding the MCU function code outputs. The first figure shows the memory map of a system that has combined program and data spaces. The second figure shows the memory map when MCU function code outputs are decoded. Reset and exception vectors are mapped into bank 0 and cannot be relocated. The CPU16 program counter, stack pointer, and Z index register can be initialized to any address in pseudolinear memory, but exception vectors are limited to 16-bit addresses — to access locations outside of bank 0 during exception handler routines (including interrupt exceptions), a jump table must be used.



Pseudolinear Addressing With Combined Program and Data Spaces



Pseudolinear Addressing With Separated Program and Data Spaces