



RKT-3309

Round Trimming Potentiometer 9mm

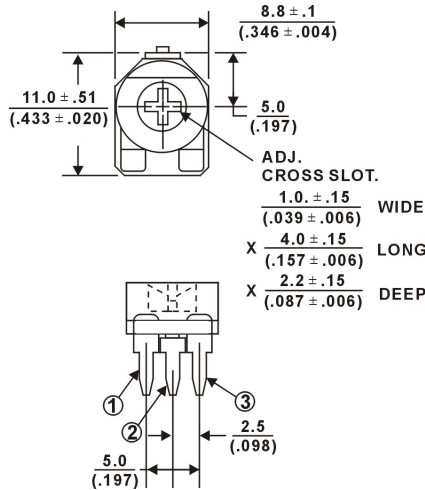
- ◆ Single Turn/ Cermet/ Industrial
- ◆ 2 Terminal Styles

Electrical Characteristics	
Standard Resistance Range	10Ω - 2MΩ
Resistance Tolerance	±30% std
Absolute Minimum Resistance	1% max (≤2K=30Ω)
Contact Resistance Variation	3% max
Resistance	Essentially infinite
Adjustment Angle	235° nom

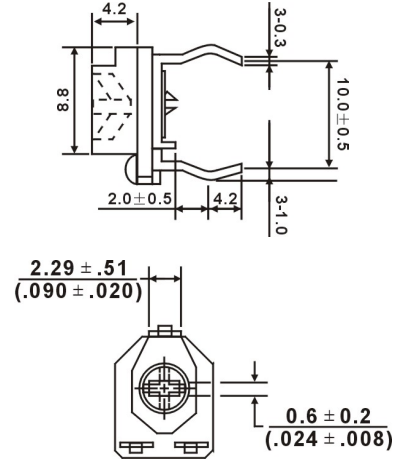
Environmental Characteristics	
Power Rating (50VDC max)	70°C, 0.5W
Temperature Range	-30°C ~ +100°C
Temperature Coefficient	±250ppm/°C
Load Life	1,000 hours 0.5W @70°C (3% ΔTR)

Physical Characteristics	
Mechanical Angle	260°±10°
Toque (Operating)	4.0oz-in.max
Stop Strength	7.0oz-in.max
Terminals	Solderable pins
Marking	Manufacturer's Trademark, resistance code, date code
Standard packaging	200pcs. Per bag
Adjustment Tool	H-90
Aqueous cleaning not recommended	

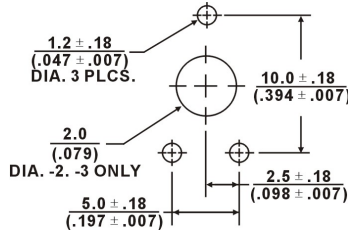
**Common Dimensions
Common Dimensions
Top/Bottom Adjust
Common Dimensions
RKT-3309P-2**



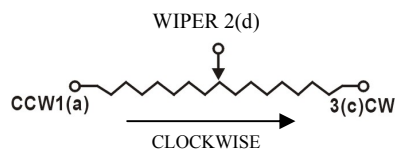
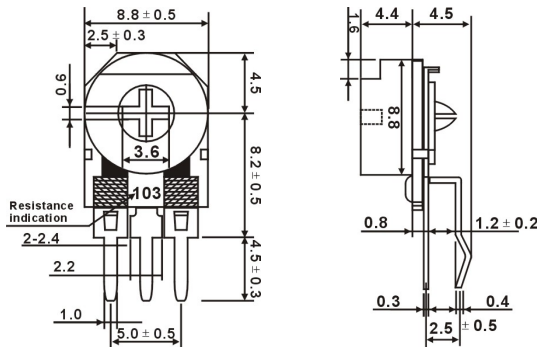
RKT-3309P-2 Both Sides Adjust/Cross Slot



SUGGESTED PWB LAYOUT – RKT-3309P-2



**Silde Adjust
Common Dimensions
RKT-3309W-1 Single Side (Front) Adjust**



Resistance Table

Resistance(Ohms)	Resistance Code
10	100
20	200
50	500
100	101
200	201
500	501
1,000	102
2,000	202
5,000	502
10,000	103
20,000	203
25,000	253
50,000	503
100,000	104
200,000	204
250,000	254
500,000	504
1,000,000	105
2,000,000	205

Special resistances available.

Tolerance is ±0.25 if no identification

Note: Specification are subject to change without notice.