

MICRO SWITCH

FREEPORT ILLINOIS U S A
A DIVISION OF HONEYWELL
FED MFG. CODE 91929

SWITCH - TOGGLE

CATALOG LISTING
1TL91 SERIES
CHART 1

CATALOG LISTING

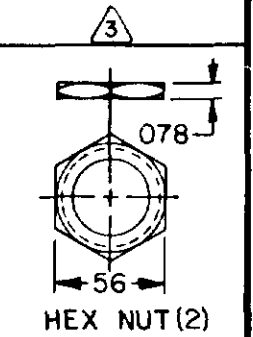
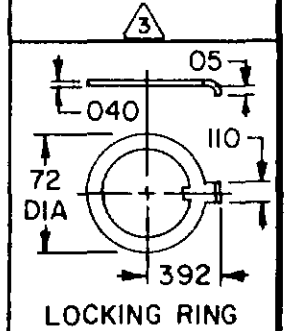
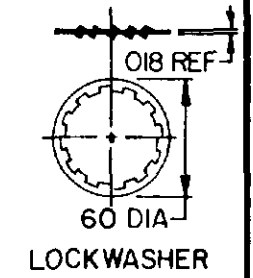
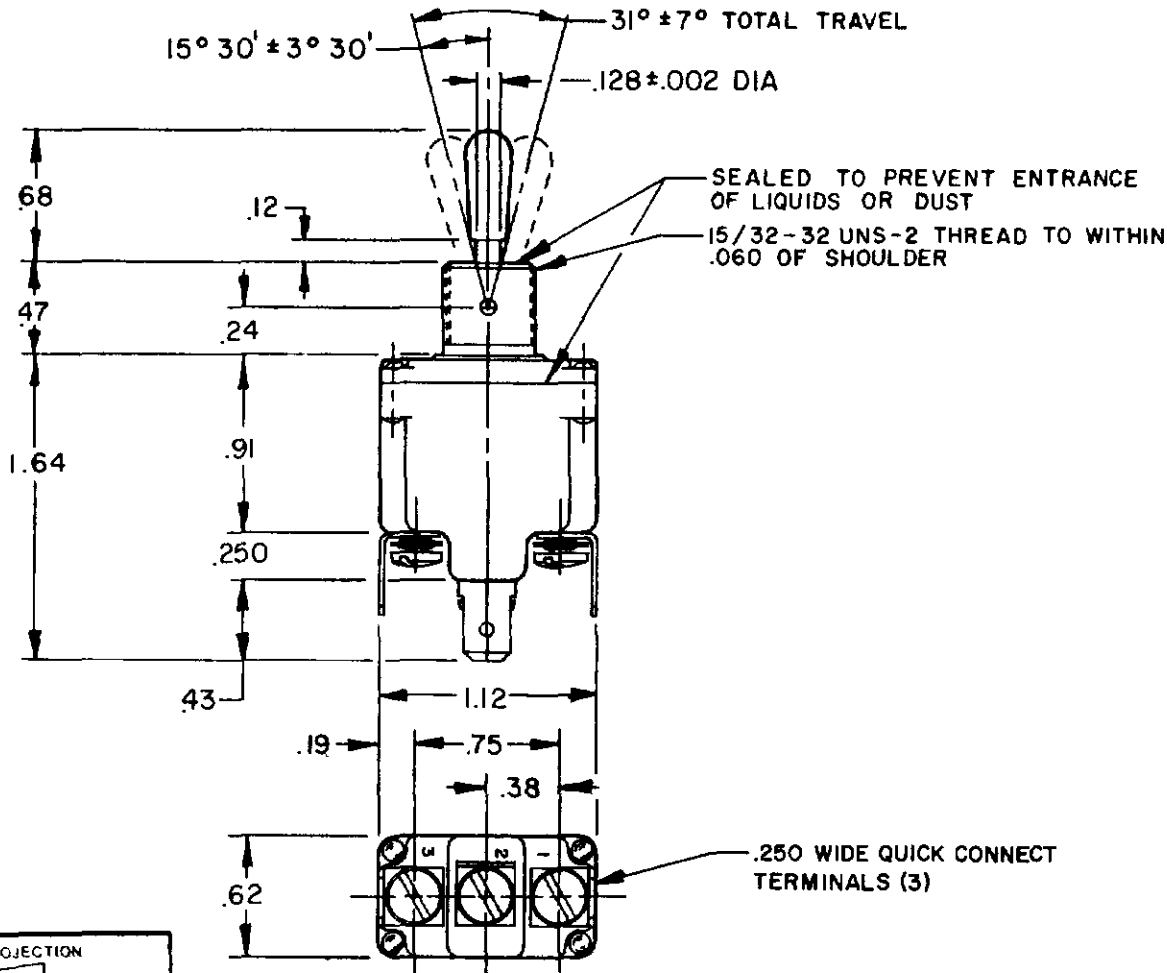
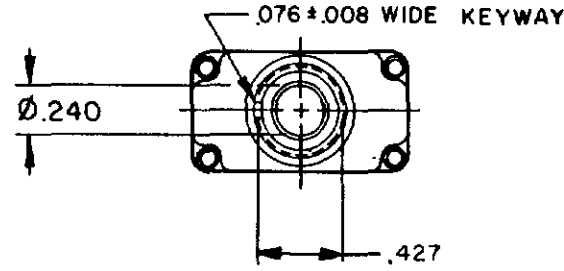
5 WITH TOGGLE LEVER IN
CIRCUIT MADE

KEYWAY SIDE (1-2)	CENTER (1-2)	OPPOSITE KEYWAY (2-3)
-------------------	--------------	-----------------------

MILITARY RATING (AMPS)

RESISTIVE LOAD DC VOLTS			AC VOLTS			LAMP LOAD		INDUCTIVE LOAD	
28	125	250	125	250	28 VDC	125 VAC	28 VDC	125 VAC	

THIS DRAWING COVERS A PROPRIETARY ITEM AND IS THE PROPERTY OF MICRO SWITCH, A DIVISION OF HONEYWELL. THIS DRAWING IS NOT TO BE COPIED OR USED WITHOUT THE APPROVAL OF MICRO SWITCH.



ITL91-1	ON	OFF	ON
ITL91-2	OFF	NONE	ON
ITL91-3	ON	NONE	ON
ITL91-21	NONE	OFF	ON
ITL91-31	NONE	ON	ON
ITL91-4	MOM OFF	NONE	ON
ITL91-5	MOM ON	OFF	ON
ⓑ	MOM ON	NONE	OFF
ITL91-7	MOM ON	OFF	MOM ON
ITL91-8	MOM ON	NONE	ON
ITL91-51	NONE	ON	MOM ON
ITL91-61	MOM ON	OFF	NONE

20	75	5	15	6	5	3	15	10
(REFER TO L191 FOR UL RATING)								

15	75	.5	15	6	4	2	10	7
(REFER TO L192 FOR UL RATING)								

NOTES

- SWITCHES ARE CAPABLE OF WITHSTANDING A TEMPERATURE OF 160° F CONTINUOUSLY AT FULL RATED LOAD
- CIRCUIT DESIGNATION AND MICRO SWITCH CATALOG LISTING MARKED ON SIDE OF SWITCH
- FURNISHED UNASSEMBLED
- FOR TERMINAL COVER SEE MICRO SWITCH CATALOG LISTING 5PA7
- APPLIES ONLY TO "ON" AND "MOMENTARY ON" POSITIONS

CATALOG LISTING
1TL91 SERIES CHART 1
PAGE 1 OF 1

ISSUE
M
13

REVISIONS
A C077942
J A F
28 JUN 94
B CO-95307
CSL
18 NOV 99
C CO-94432
CSL
23 NOV 99
D 200235
J A A
18 APR 00

FORMTEK
DRAWN
JAF 28 JUN 94

CHECK
REPLACES
PR-4116
CHECK
CHECK

THIRD ANGLE PROJECTION

SCALE FULL

DO NOT SCALE PRINT

TOLERANCES
APPLY TO DESIGN UNITS CONVERSIONS ARE ONLY FOR REFERENCE UNLESS NOTED TOLERANCES ARE 2

NO PLACES	DIM	TOL	DIM	TOL
	mm	mm/in	in	mm/in
ONE PLACE	X	0.1/0.125	X X	0.8/0.03
TWO PLACES	X XX	0.15/0.008	X XX	0.38/0.015
THREE PLACES	X XXX		X XXX	0.15/0.008

DESIGN UNITS SI METRIC US CUSTOMARY

RAW MATERIAL - COMMERCIAL STANDARD
MICRO SWITCH STANDARDS APPLY
DIMENSIONS ARE TO BE MET BEFORE
PROTECTIVE COATINGS ARE APPLIED

WEIGHT 08 LBS APPROX

15A-125,250 OR 277VAC 1/2HP-125VAC; 1HP-250,277VAC 5A-125VAC "L" CODE L191	10A-125,250 OR 277VAC 1/4HP-125VAC; 1/2HP-250,277VAC 3A-125VAC "L" CODE L192
--	--