

Part Number :
858-MXXX-C412-001X

1.27mm PITCH 26 , 68 , 100P
solder type 4 rows.
Cable TO BOARD
MALE CONNECTOR

- 26,68,100 PINS
- PITCH: 1.27mm
- HEIGHT: 12.8+0.10/-0.10mm

1. Material:

- A. HousingA: Glass filled poly plastics
- HousingB: Glass filled poly plastics
- B. Contact: PHOSPHOR Copper alloy

2. Finish:

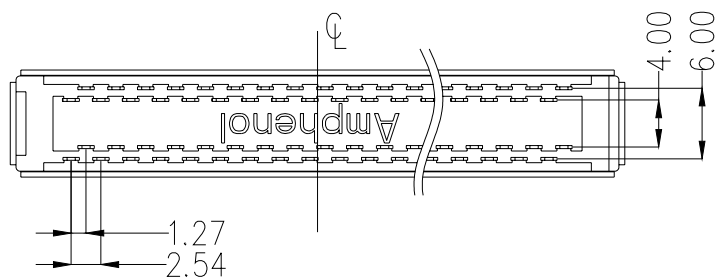
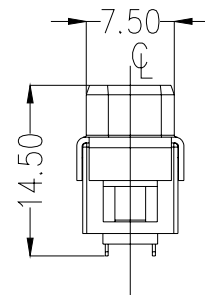
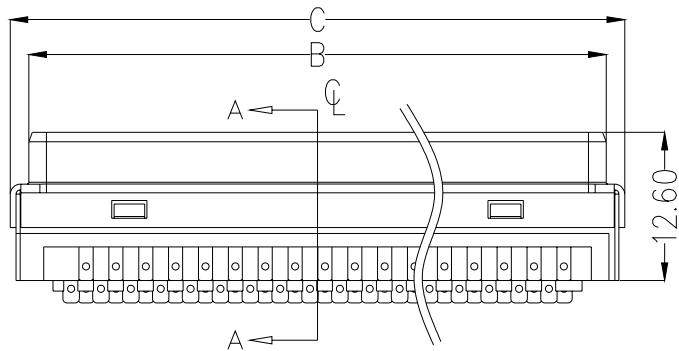
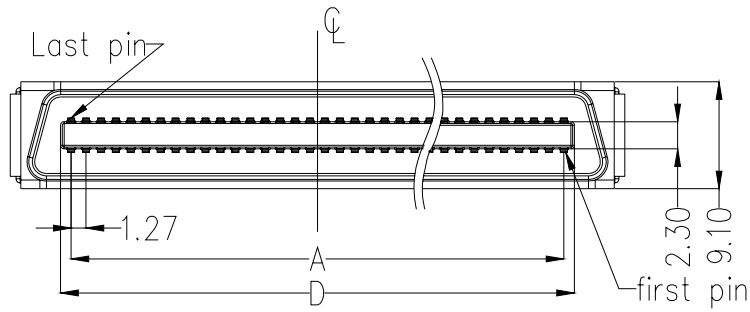
Gold on Mating area ,1.27~2.54um Nickel Underplated,
Pure matte Tin plate solder tail.

3. Electrical specifications:

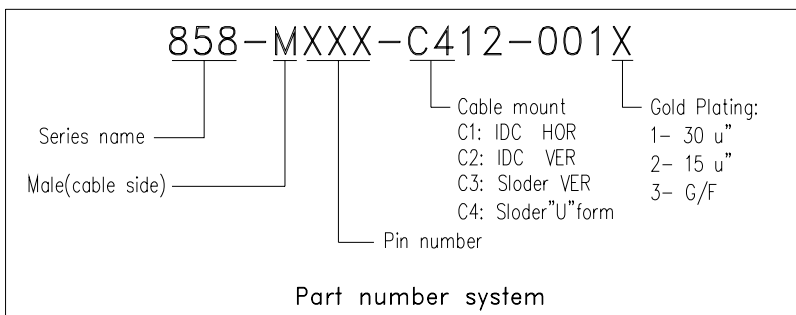
Voltage rating: AC 250V
Current rating: AC 0.5A
Dielectric strength: AC 500V for 1 minute min
Insulation resistance: 500 meg ohm min
Contact resistance: 60 milliohm max
Operation temperature: -40° to +85°C

4. Packaging:

Parts to be packed in Tray for automatic placement.
All packing materials to be approved by Amphenol engineering.



Contact Quantity	Dimensions				Remark
	A	B	C	D	
26	15.24	21.42	17.30	17.03	Tooling in program
68	41.91	48.10	52.50	43.70	available
100	62.23	67.50	72.80	64.02	Tooling in program



Amphenol	Title :	Part Number :
	858 connector solder "U" type	858-MXXX-C412-001X