

40mm sq.

San Ace 40

10mm thick, 15mm thick, 20mm thick
28mm thick (GE type)
28mm thick (GV type), 28mm thick



General Specifications With a pulse sensor

- Material Frame: Plastics (Flammability: UL94V-0),
Impeller: Plastics (Flammability: UL94V-1)
- Life Expectancy Varies for each model (L10: Survival rate: 90% at 60°C, rated voltage, and continuously run in a free air state)
- Lead Wire ⊕red ⊖black or blue (Sensor) yellow
- Storage Temperature -30°C to +70°C (Non-condensing)

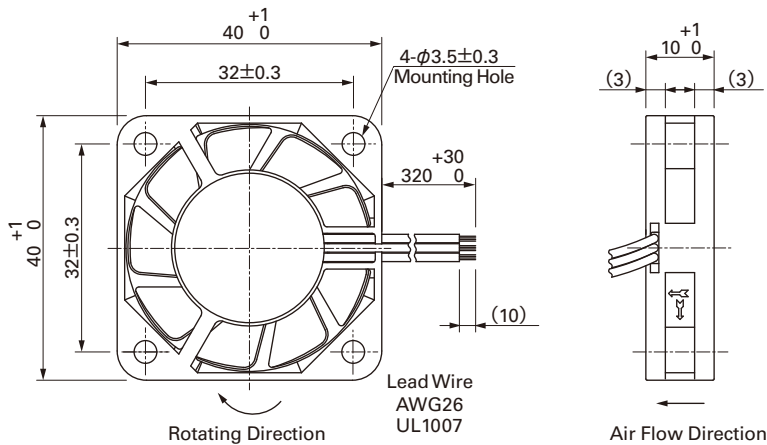
40×40×10mm (Mass : 19g)

Specifications

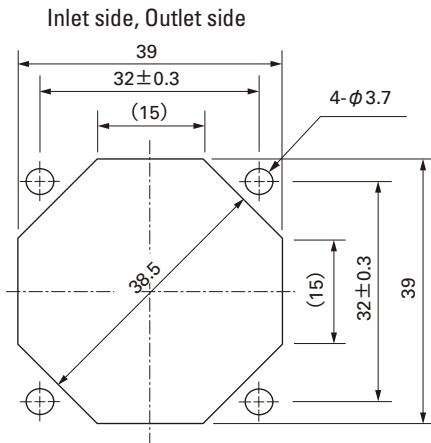
Model No.	Rated Voltage [V]	Operating Voltage Range [V]	Rated Current [A]	Rated Input [W]	Rated Speed [min ⁻¹]	Air Flow [m ³ /min] [CFM]		Static Pressure [Pa] [inchH ₂ O]		SPL [dB(A)]	Operating Temperature [°C]	Life Expectancy [h]
109P0405H901	5	4.5 to 5.5	0.16	0.8	6,200	0.15	5.3	41.16	0.165	25	-10 to +60	40,000
109P0405M901			0.11	0.55	5,000	0.12	4.2	26.95	0.108	21		
109P0412H901	12	7 to 13.8	0.07	0.84	6,200	0.15	5.3	41.16	0.165	25		
109P0412M901			0.06	0.72	5,000	0.12	4.2	26.95	0.108	21		

Without Sensor **Pulse Sensor** Available in all models. **Lock Sensor** Please inquire as the availability of these functions depend on the model.

Dimensions (Unit : mm)



Reference dimension of mounting holes and vent opening (Unit : mm)

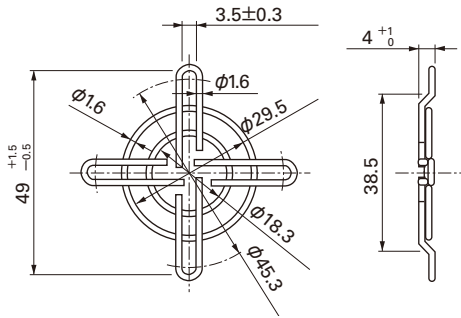


Options (Unit : mm)

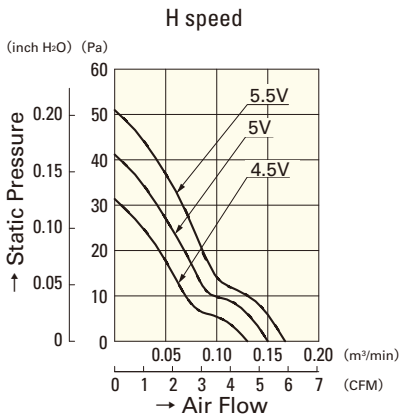
Finger guards

Model : 109-059 Surface treatment : Nickel-chrome plating (silver) Color

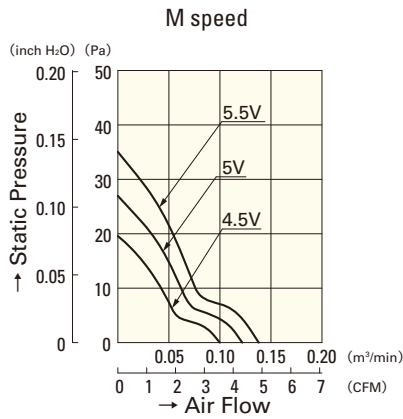
Inlet side, Outlet side



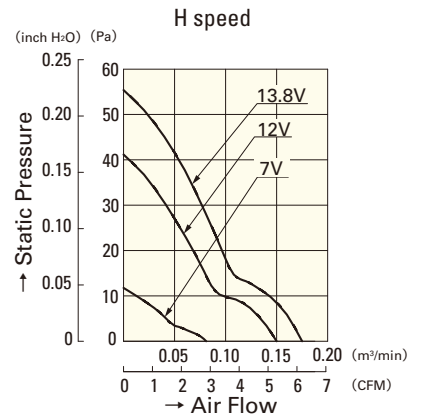
Air Flow and Static Pressure Characteristics



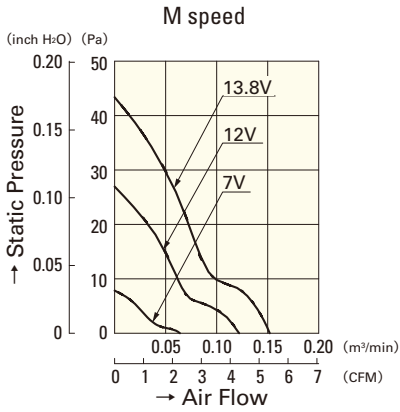
109P0405H901



109P0405M901



109P0412H901



109P0412M901