



# TAI-SAW TECHNOLOGY CO., LTD.

No. 3, Industrial 2nd Rd., Ping-Chen Industrial District,  
Taoyuan, 324, Taiwan, R.O.C.

TEL: 886-3-4690038 FAX: 886-3-4697532

E-mail: [tstsales@mail.taisaw.com](mailto:tstsales@mail.taisaw.com) Web: [www.taisaw.com](http://www.taisaw.com)

## Approval Sheet For Product Specification

Issued Date:

Product Name: IF SAW Filter 80 MHz SMD13.3X6.5

TST Parts No.: TB0292A

Customer Parts No.: \_\_\_\_\_

Company: _____
Division: _____
Approved by : _____
Date: _____

Checked by: \_\_\_\_\_ Andy Yu

Approval by: \_\_\_\_\_ Francis Chen

Date: \_\_\_\_\_ 2008/05/05



# TAI-SAW TECHNOLOGY CO., LTD.

No. 3, Industrial 2nd Rd., Ping-Chen Industrial District,  
Taoyuan, 324, Taiwan, R.O.C.

TEL: 886-3-4690038 FAX: 886-3-4697532

E-mail: [tstsales@mail.taisaw.com](mailto:tstsales@mail.taisaw.com) Web: [www.taisaw.com](http://www.taisaw.com)

## IF SAW Filter 80 MHz (SMD 13.3X6.5)

MODEL NO.:TB0292A

REV. NO.:4.0

### A. MAXIMUM RATING:

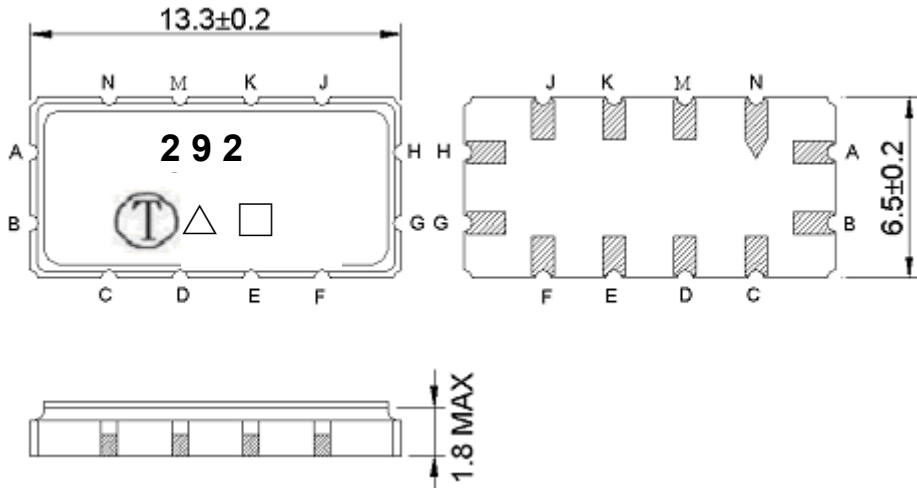
- 1.Input Power Level: 10 dBm
- 2.Operating Temperature: -40°C to +65°C
- 3.Storage Temperature: -40°C to +85°C

RoHS Compliant  
Lead free  
Lead-free soldering

### B. ELECTRICAL CHARACTERISTICS:

Item	Unit	Min.	Type.	Max.
Center frequency, $F_c$	MHz		80	-
Insertion Loss, $IL$ at $F_c$	dB		9.89	11.5
1 dB Bandwidth	MHz	8.4	11	
3 dB Bandwidth	MHz	9.0	11.7	
35 dB Bandwidth	MHz	-	14.2	
Amplitude Ripple in $F_c \pm 3.7\text{MHz}$	dB	-	0.6	1.0
Group Delay ripple in $F_c \pm 3.7\text{MHz}$	ns	-	110	160
Relative Attenuation:				
10 to 71	dB	40	43	
89 to 140	dB	40	44	
Substrate Material			YZ-LN	
Temperature Coefficient of Frequency	ppm/°C		-94	

**C. OUTLINE DRAWING:**



Pin A=B: RF input

Pin H=G: RF output

Pin C, D, E, F, J, K, N, M: To be Ground

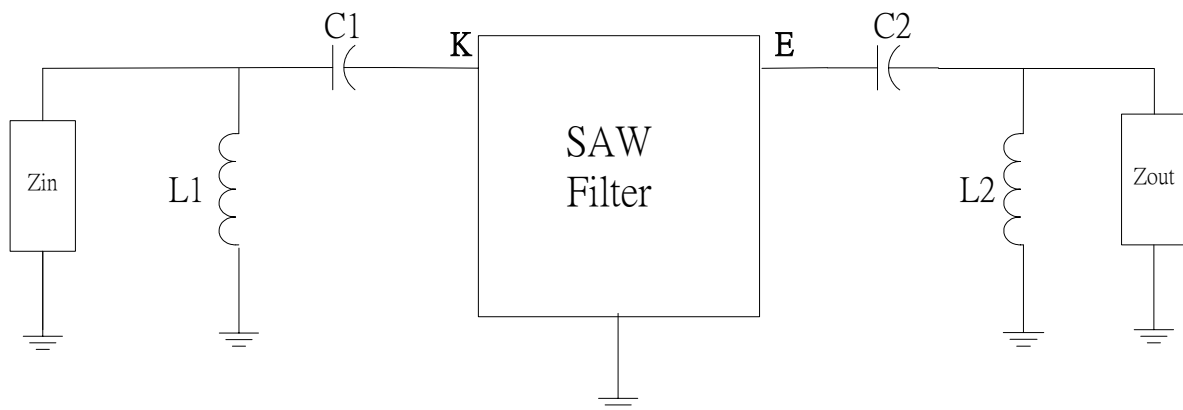
□ : Week Code (Follow the table from planner each year)

Unit : mm (week01, 02, 03...52 =>A, B, C...z)

△ : Product / Year Code

Year	2005 2009	2006 2010	2007 2011	2008 2012
Product Code	B	b	<u>B</u>	<u>b</u>

**E. MEASUREMENT CIRCUIT:**

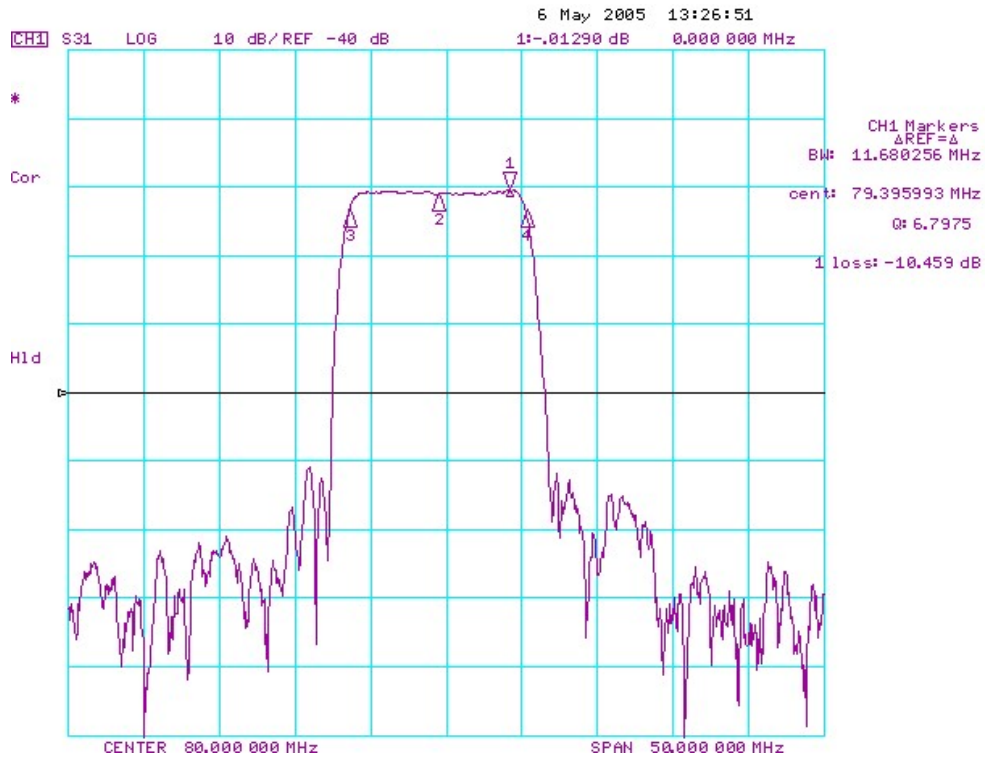


$C1 = 68$  PF     $L1 = 270$  nH

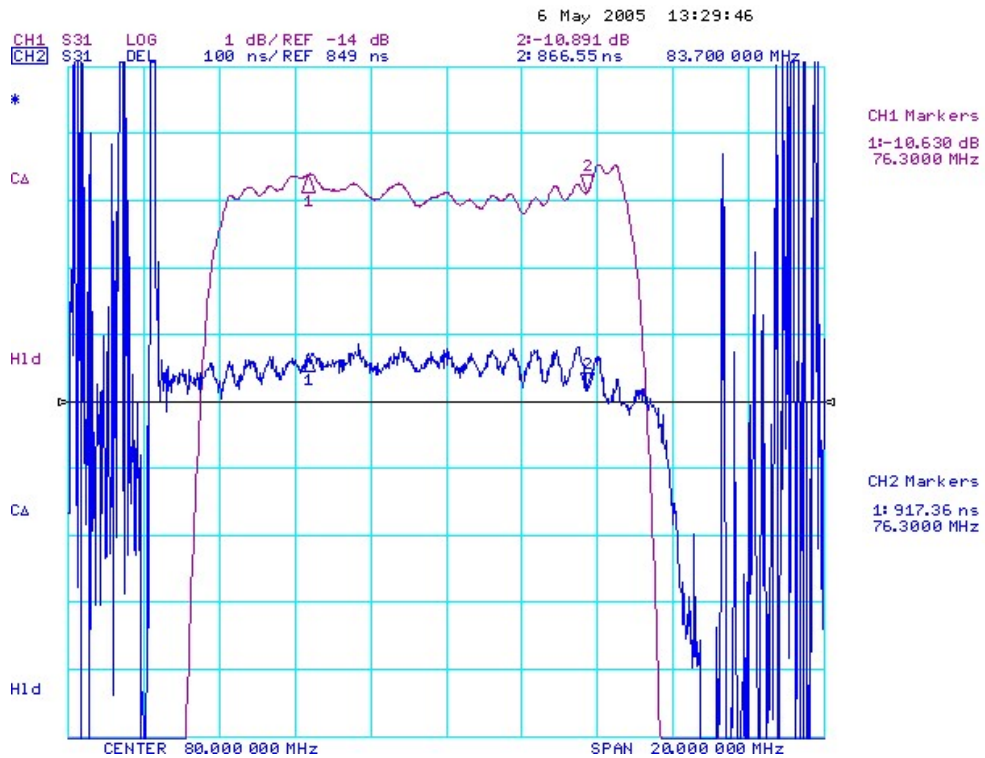
$C2 = 72$  PF     $L2 = 150$  nH

## D. FREQUENCY CHARACTERISTICS:

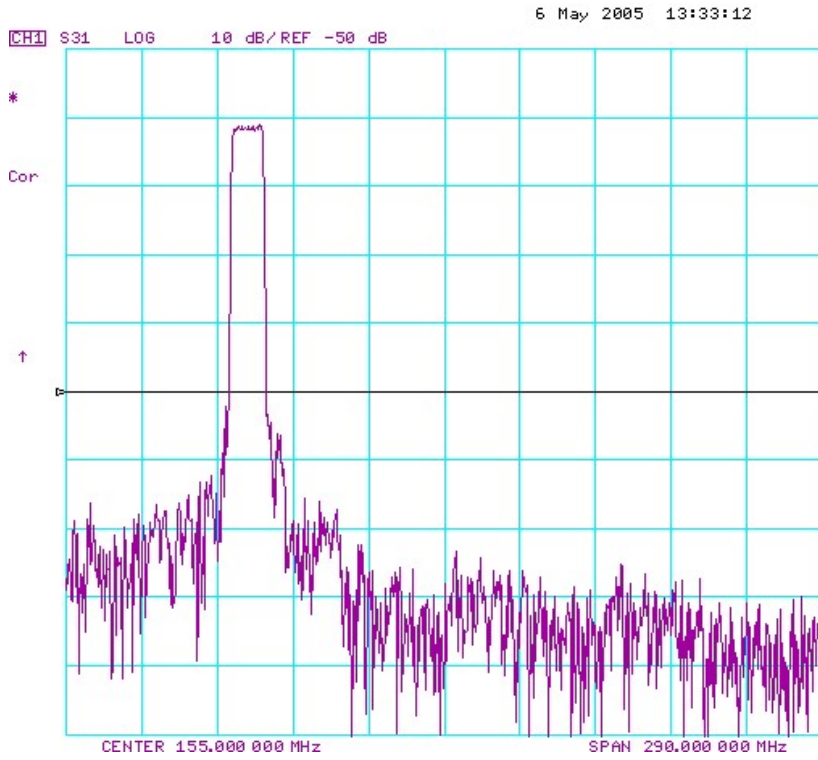
### 1.S21 Response:



### 2. Group delay:



### 3. Wideband Response:

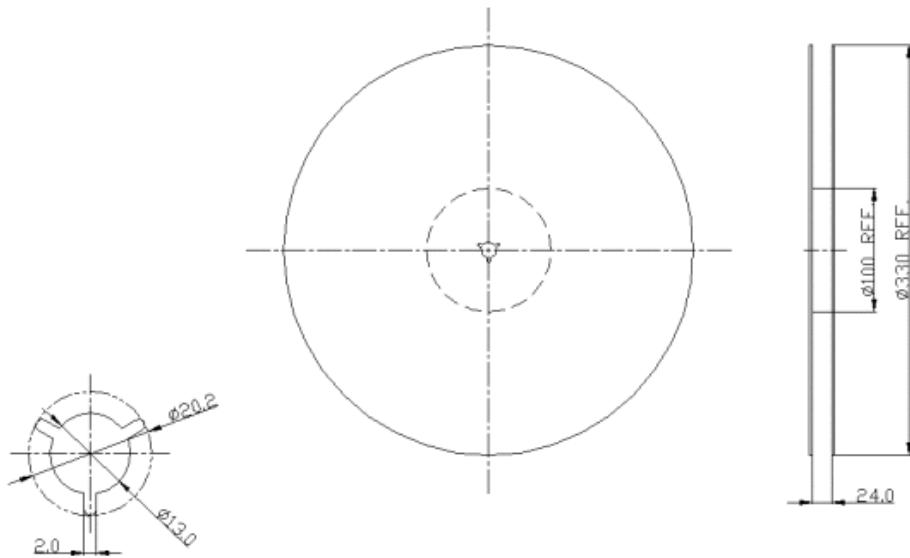


E.包裝：

REEL DIMENSION

(Reel Count: 7"=300 typ.; 13"=1000 typ.)

24.0mm 帶寬



TAPE DIMENSION

