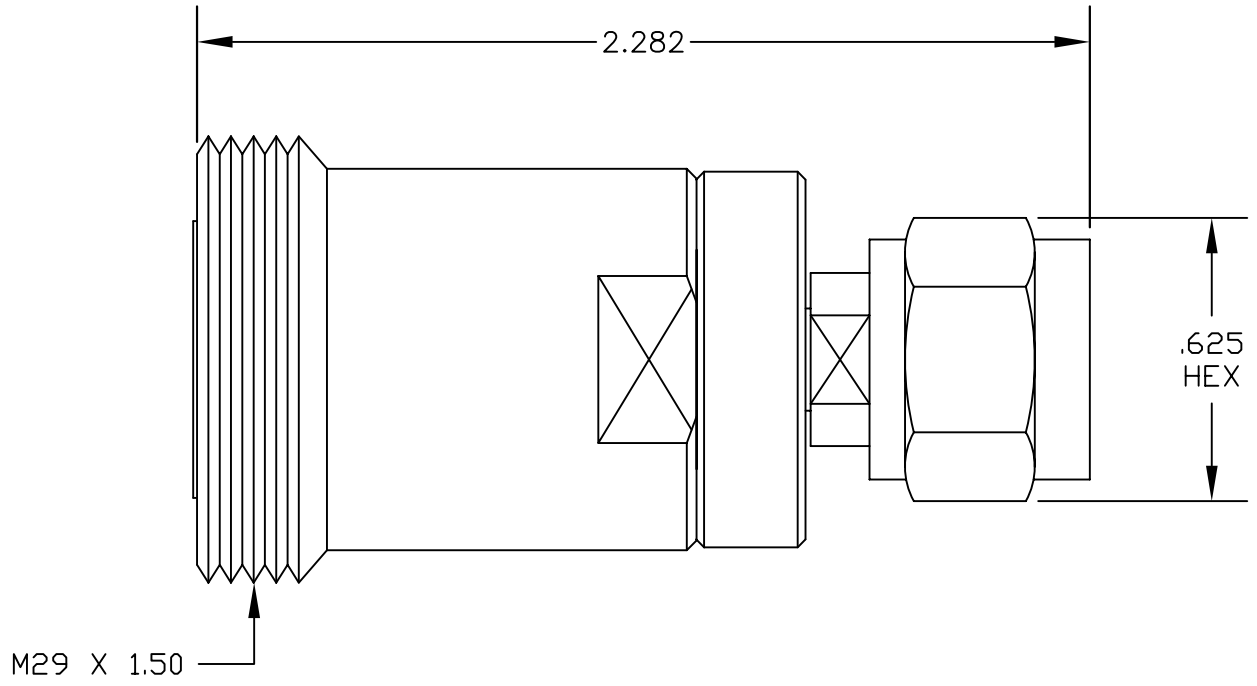


MATERIALS

TNC BODY	PASSIVATED STAINLESS STEEL
7/16	BRASS WHITE BRONZE PLATED
CONTACT	GOLD PLATED
INSULATOR	PTFE



PASTERNACK ENTERPRISES, INC.
 P.O BOX 16759, IRVINE, CA 92623
 PHONE (949) 261-1920 FAX (949) 261-7451
 WEB ADDRESS: www.pasternack.com
 E-MAIL ADDRESS: sales@pasternack.com
COAXIAL & FIBER OPTICS

DWG TITLE		DES. 7/16 FEMALE TO TNC MALE			
PE9638					
SIZE A	FSCM NO. 53919	CAD FILE 100402	SCALE N/A		127

NOTES:
 1. UNLESS OTHERWISE SPECIFIED ALL DIMENSIONS ARE NOMINAL.
 2. ALL SPECIFICATIONS ARE SUBJECT TO CHANGE WITHOUT NOTICE AT ANY TIME.