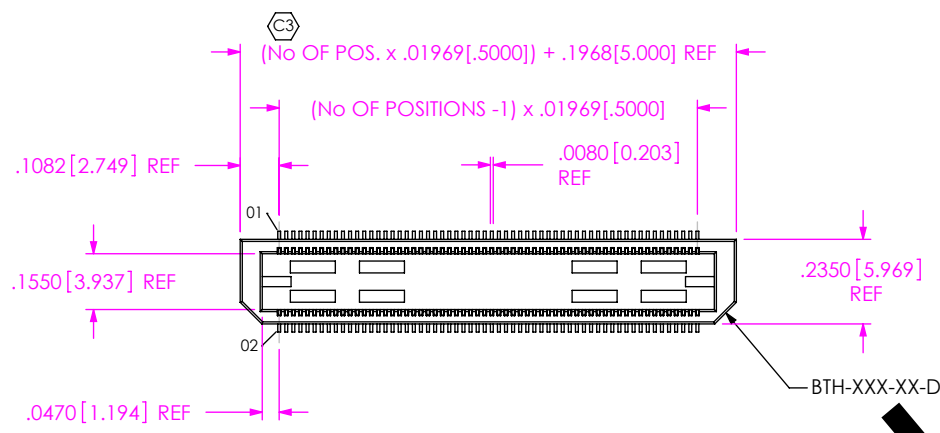


DO NOT SCALE FROM THIS PRINT



No OF POSITIONS
030, 050, 060, 090, 120, 150 (PER ROW)
LEAD STYLE -02 ONLY: 030, 060
MULTIPLES OF 10

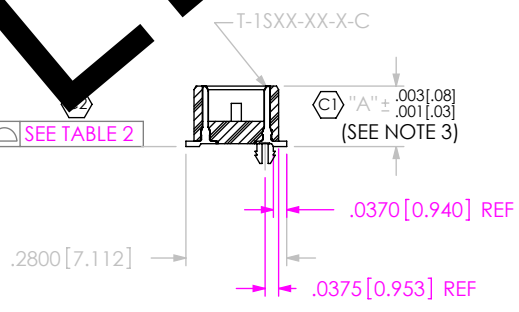
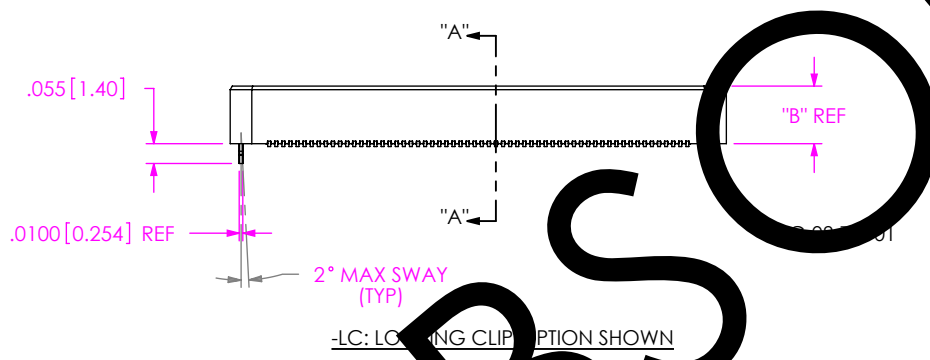
LEAD STYLE
-01: .1680[4.267]
-02: .2861[7.267]
(030 - 150 POSITIONS AVAILABLE)
-03: .4042[10.267]
-04: .6223[15.240]
-05: .8404[21.237]
-06: .1061[27.234]
-07: .5224[13.229]

*** = 50 POS. ONLY AVAILABLE FOR -01 AND -02 LEAD STYLE (REF ASP-65267-02)

- OPTION
- A: ALIGNMENT PINS (USE BTH-XXX-XX-D-A FOR STYLES -01 & -02) (FOR STYLES -03 THRU -09, SEE TABLE 4 & FIG. 4, SHEET 3)
 - LC: LOCKING CLIPS (USE LC-08-TM-01)
 - K: POLYAMIDE FILM (USE K-500-300, SEE FIG. 2) (AVAILABLE ON STYLES -01 THRU -04 & -09 ONLY)

- ROW SPECIFICATION
- D: DOUBLE (USE BTH-XXX-XX-D & BTHH-XXX-XX-D)

- PLATING SPECIFICATION
- C: ELECTRO-POLISHED SELECTIVE (USE T-1SXX-XX-C)



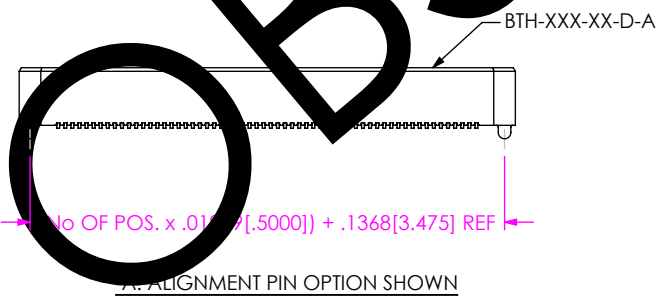
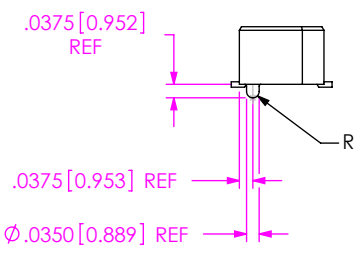
SECTION "A"- "A"

TABLE 2

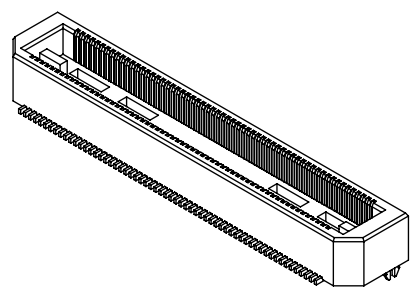
NO. OF POSITIONS	COPLANARITY
-030 THRU -090	.004[.10]
-120 THRU -150	.006[.15]

TABLE 1

STYLE	"A"	"B"	BODY	TERMINAL	MATED HEIGHT WITH BSH
-01	.1680[4.267]	.1600[4.064]	BTH-XXX-01-D(-A)	T-1S39-01-X	.1969[5.001] REF
-02	.2861[7.267]	.2781[7.064]	BTH-XXX-02-D(-A)	T-1S59-02-X	.3150[8.001] REF



- NOTES:
- Ⓢ REPRESENTS A CRITICAL DIMENSION.
 - MINIMUM PUSHOUT FORCE: 6 OZ. FOR STYLES -01 & -02
8 OZ. FOR STYLES -03 THRU -09
 - MAXIMUM VARIANCE OF .002[.05].
 - LEAD STYLES -03 THRU -09: TOP BODY (BTH) CANNOT HAVE -A OPTION.



UNLESS OTHERWISE SPECIFIED, DIMENSIONS ARE IN INCHES. TOLERANCES ARE:
DECIMALS ANGLES
.XX: ±.01[.3]
.XXX: ±.005[.13]
.XXXX: ±.0020[.051]

PROPRIETARY NOTE
THIS DOCUMENT CONTAINS INFORMATION CONFIDENTIAL AND PROPRIETARY TO SAMTEC, INC. AND SHALL NOT BE REPRODUCED OR TRANSFERRED TO OTHER DOCUMENTS OR DISCLOSED TO OTHERS OR USED FOR ANY PURPOSE OTHER THAN THAT WHICH IT WAS OBTAINED WITHOUT THE EXPRESSED WRITTEN CONSENT OF SAMTEC, INC.



520 PARK EAST BLVD, NEW ALBANY, IN 47150
PHONE: 812-944-6733 FAX: 812-948-5047
e-Mail: info@SAMTEC.com code: 55322

MATERIAL: DO NOT SCALE DRAWING SHEET SCALE: 1.875:1
INSULATOR: BLACK LCP
FLAMMABILITY RATING: UL 94V-0
TERMINAL: PHOS BRONZE

DESCRIPTION:
.5mm DOUBLE ROW TERMINAL ASSEMBLY
DWG. NO. CBTH-XXX-XX-X-D-XX
BY: B. PERRY 10/08/07 SHEET 1 OF 3

FIG. 2

-K: POLYAMIDE FILM PAD OPTION
[USE K-500-300]

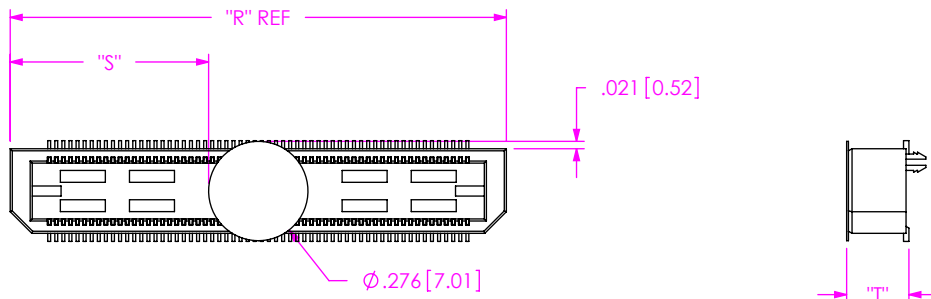


TABLE 3	
STYLE	"T"
-01	.173[4.39]
-02	.291[7.39]
-03	.409[10.39]
-04	.605[15.37]
-09	.527[13.39]

NOTE: "R" = (No OF POSITIONS x .01969[.5000]) + .1968[5.000]
"S" = (("R" - .276[7.01]) / 2) ± .020[.51]

PACKAGING VIEW

(PARTS TO HAVE POSITION #01 LOADED IN SAME DIRECTION AS ARROW)

[STYLES -01 & -02]	[STYLES -03, -04, & -09]	[STYLE -05]	[STYLE -06]
TUBE: PT-1-24-01-78 PLUG: TP-03	TUBE: PT-1-24-01-98 PLUG: TP-26	TUBE: PT-1-24-02-105 PLUG: TP-26	TUBE: PT-1-24-01-105 PLUG: TP-26

F:\DWG\MISC\MKTG\CBTH-XXX-XX-X-D-XX-MKT.SLDDRW

PROPRIETARY NOTE

THIS DOCUMENT CONTAINS INFORMATION CONFIDENTIAL AND PROPRIETARY TO SAMTEC, INC. AND SHALL NOT BE REPRODUCED OR TRANSFERRED TO OTHER DOCUMENTS OR DISCLOSED TO OTHERS OR USED FOR ANY PURPOSE OTHER THAN THAT WHICH IT WAS OBTAINED WITHOUT THE EXPRESSED WRITTEN CONSENT OF SAMTEC, INC.

DO NOT SCALE DRAWING

SHEET SCALE: 1.875:1



520 PARK EAST BLVD, NEW ALBANY, IN 47150
PHONE: 812-944-6733 FAX: 812-948-5047
e-Mail: info@SAMTEC.com code: 55322

DESCRIPTION:
.5mm DOUBLE ROW TERMINAL ASSEMBLY

DWG. NO. **CBTH-XXX-XX-X-D-XX**

BY: B. PERRY 10/08/07 SHEET 2 OF 3

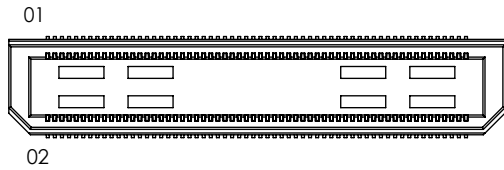


TABLE 4							
STYLE	SEE FIGURE	"C" OVERALL HEIGHT	TERMINAL	TOP BODY (SEE NOTE 4)	BOTTOM SPACER BODY (-LC OR NONE)	BOTTOM SPACER BODY (-A)	MATED HEIGHT WITH BSH-01
-03	3	.4042 [10.267]	T-1S60-03-X-C	BTH-XXX-02-D	BTHH-XXX-01-D	BTHH-XXX-01-D-A	.433 [11.00] REF
-04	3	.6000 [15.240]	T-1S60-04-X-C	BTH-XXX-02-D	BTHH-XXX-01-D	BTHH-XXX-01-D-A	.630 [16.00] REF
-05	4	.7180 [18.237]	T-1S60-05-X-C	BTH-XXX-02-D	BTHH-XXX-03-D	BTHH-XXX-03-D-A	.748 [19.00] REF
-06	4	.8360 [21.234]	T-1S60-06-X-C	BTH-XXX-02-D	BTHH-XXX-03-D	BTHH-XXX-03-D-A	.866 [22.00] REF
-09	3	.5224 [13.269]	T-1S60-09-X-C	BTH-XXX-02-D	BTHH-XXX-01-D	BTHH-XXX-01-D-A	.551 [14.00] REF

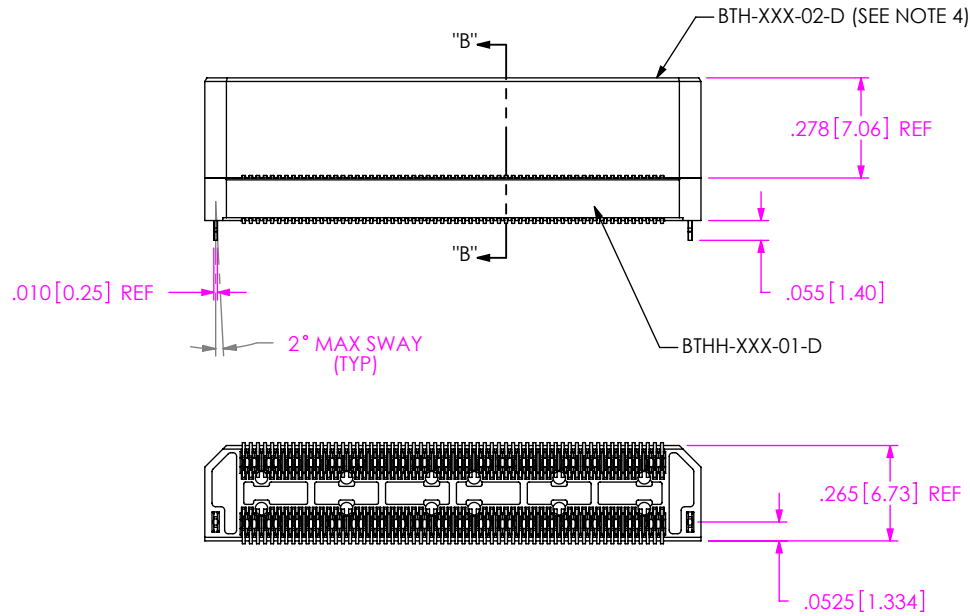


FIG. 3
 CBTH-060-03-X-D-LC SHOWN
 (STYLES -03, -04, & -09)
 (DIFFERENT AS SHOWN, OTHERWISE SAME AS FIG. 1)

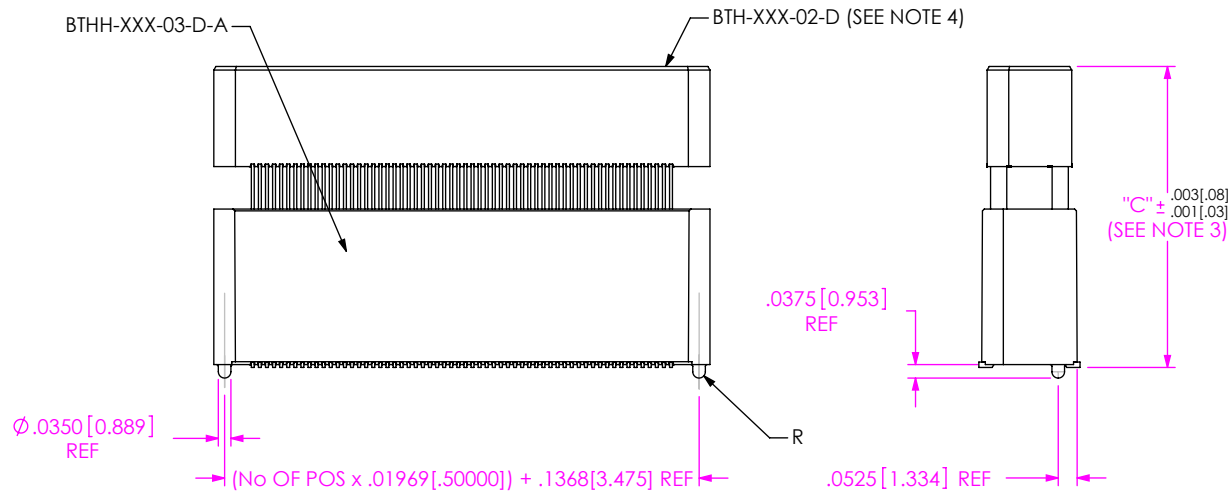


FIG. 4
 -A: ALIGNMENT PIN OPTION
 CBTH-060-06-X-D-A SHOWN
 (STYLES -05 & -06)
 (DIFFERENT AS SHOWN, OTHERWISE SAME AS FIG. 1)

F:\DWG\MISC\MKTG\CBTH-XXX-XX-X-D-XX-MKT.SLDDRW

PROPRIETARY NOTE
 THIS DOCUMENT CONTAINS INFORMATION CONFIDENTIAL AND PROPRIETARY TO SAMTEC, INC. AND SHALL NOT BE REPRODUCED OR TRANSFERRED TO OTHER DOCUMENTS OR DISCLOSED TO OTHERS OR USED FOR ANY PURPOSE OTHER THAN THAT WHICH IT WAS OBTAINED WITHOUT THE EXPRESSED WRITTEN CONSENT OF SAMTEC, INC.

DO NOT SCALE DRAWING

SHEET SCALE: 1.875:1



520 PARK EAST BLVD, NEW ALBANY, IN 47150
 PHONE: 812-944-6733 FAX: 812-948-5047
 e-Mail: info@SAMTEC.com code: 55322

DESCRIPTION:
 .5mm DOUBLE ROW TERMINAL ASSEMBLY

DWG. NO.
CBTH-XXX-XX-X-D-XX

BY: B. PERRY 10/08/07 SHEET 3 OF 3