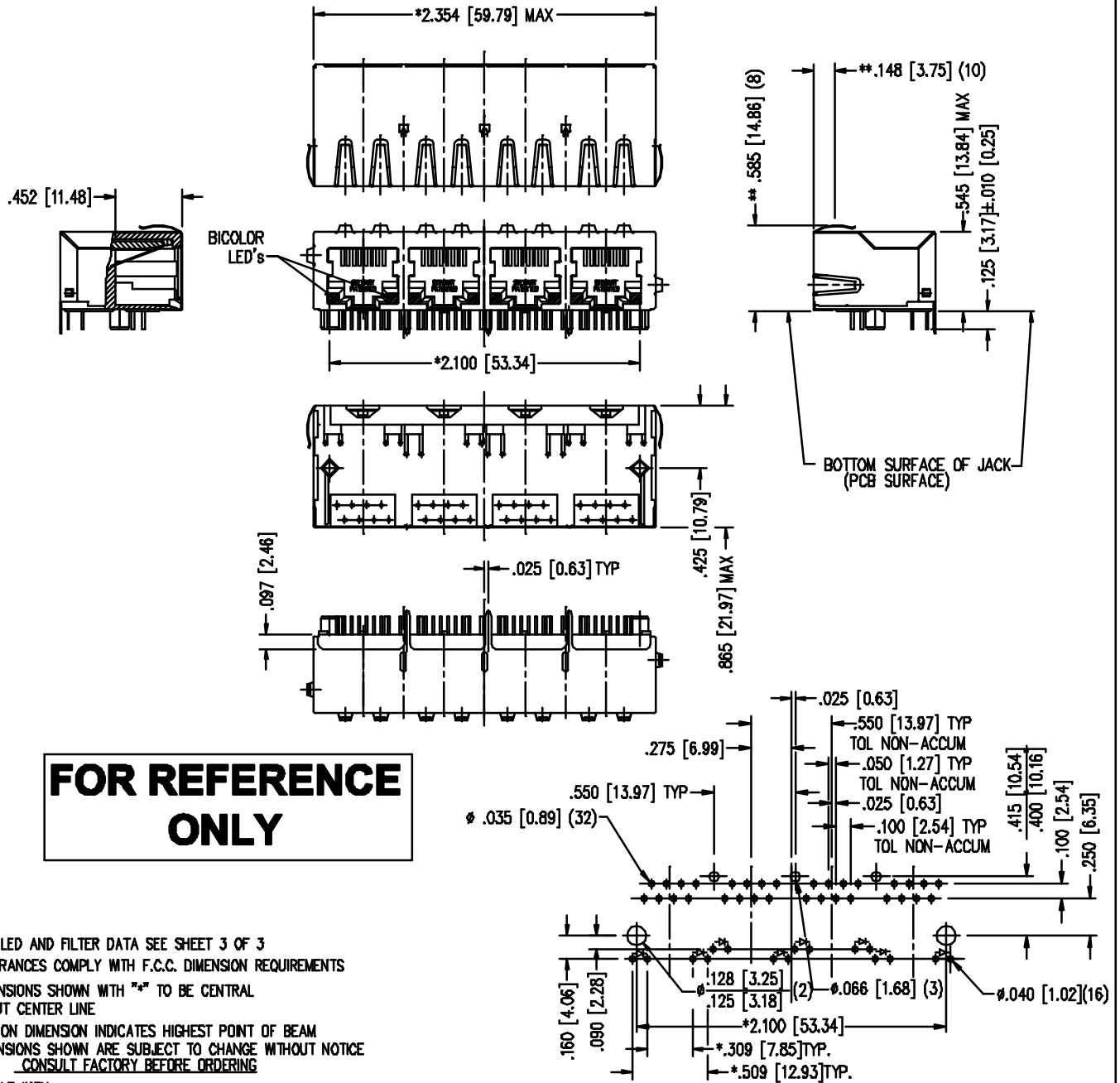


# STEWART CONNECTOR SYSTEMS, INC.

THIS DRAWING AND THE SUBJECT MATTER SHOWN THEREON ARE CONFIDENTIAL AND THE PROPRIETARY PROPERTY OF STEWART CONNECTOR SYSTEMS AND SHALL NOT BE REPRODUCED, COPIED OR USED IN ANY MANNER WITHOUT THE PRIOR WRITTEN CONSENT OF STEWART CONNECTOR SYSTEMS, INC.

R.D. 2, BOX 2020 GLEN ROCK, PENNSYLVANIA 17327

SS-748804SFR1-CC-L-PG3-BZ  
EMI-RFI ONE PIECE SHIELDED, ESD GROUND  
4 PORT PCB HARMONICA FILTERED LED JACK PAC  
"-L" DESIGNATES LOW CURRENT LED'S  
"-CC" USES 2 BICOLOR (YELLOW/GREEN) LED'S  
"-BZ" DESIGNATES REAR SOLDER TAILS OFFSET .025  
AND THE ABSENCE OF BOTTOM PANEL GROUNDS AND SIDE SOLDER TAILS  
"FR1" FERRITE INSERT



**FOR REFERENCE  
ONLY**

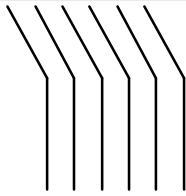
**NOTES:**

- FOR LED AND FILTER DATA SEE SHEET 3 OF 3
- TOLERANCES COMPLY WITH F.C.C. DIMENSION REQUIREMENTS
- DIMENSIONS SHOWN WITH "\*" TO BE CENTRAL ABOUT CENTER LINE
- "\*" ON DIMENSION INDICATES HIGHEST POINT OF BEAM
- DIMENSIONS SHOWN ARE SUBJECT TO CHANGE WITHOUT NOTICE  
CONSULT FACTORY BEFORE ORDERING

**AVAILABLE WITH:**

- 30 & 50 MICRO-INCH SELECTIVE GOLD PLATING
  - LOADED 1 - 8 CONTACTS
- CT740011X0

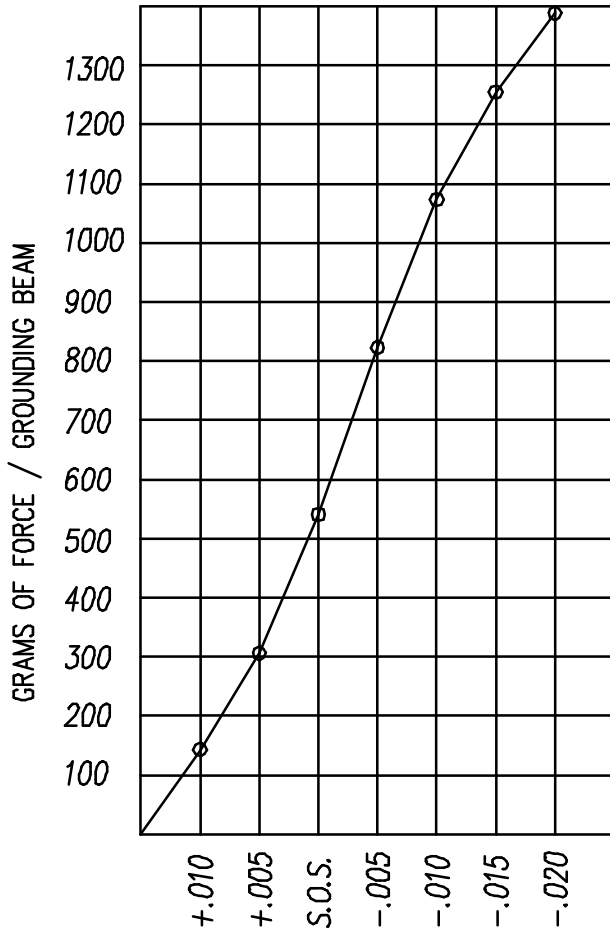
P.C.B. RECOMMENDED HOLE LAYOUT  
SEEN FROM COMPONENT SIDE  
TOLERANCE ±.003 [0.08] UNLESS OTHERWISE SPECIFIED



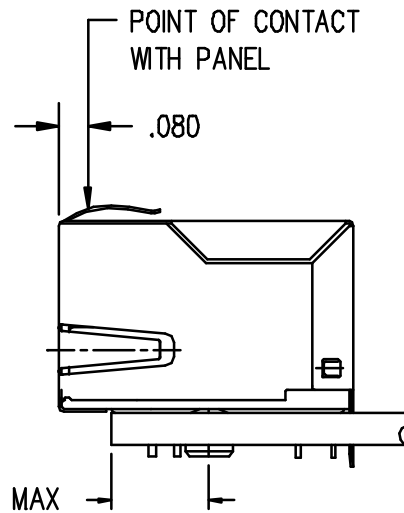
**STEWART  
CONNECTOR  
SYSTEMS, INC.**

R.D. 2, BOX 2020 GLEN ROCK, PENNSYLVANIA 17327

PART NO. SS-748804SFR1-CC-L-PG3-BZ

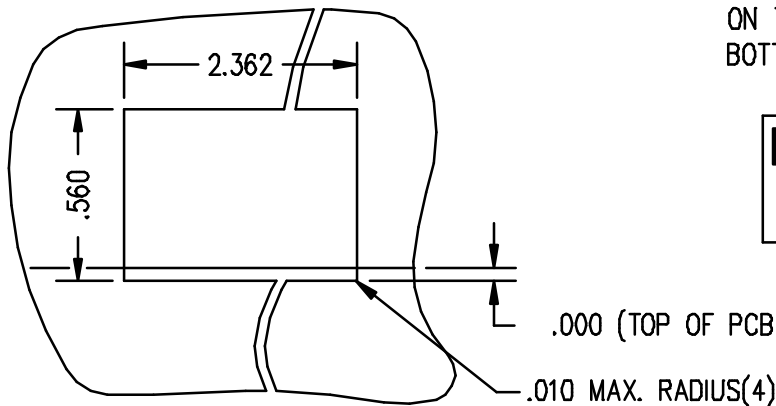


PANEL GROUNDING BEAM DEFLECTION  
S.O.S. = SUGGESTED OPENING SIZE



THE SUGGESTED PANEL OPENING IS INTENDED TO GIVE THE USER THE ABILITY TO HAVE REASONABLE JACK / PANEL CLEARANCES YET MAINTAIN RELIABLE GROUNDING CAPABILITY. THESE VARIABLES CAN BE ADJUSTED IN EITHER DIRECTION BUT MAY CARRY SOME CONSEQUENCES IN THE FORM OF LOWER MATING FORCES OR TIGHTER ASSEMBLY TOLERANCES. FORCE VALUES ON THE GRAPH ARE GENERAL AVERAGES TAKEN AT THE POINT OF CONTACT SHOWN ABOVE. THE SUGGESTED PANEL OPENING INCLUDES APPROXIMATELY .020 CLEARANCE ON THE SIDES AND TOP AND .005 ON THE BOTTOM.

**FOR REFERENCE  
ONLY**



SUGGESTED PANEL OPENING